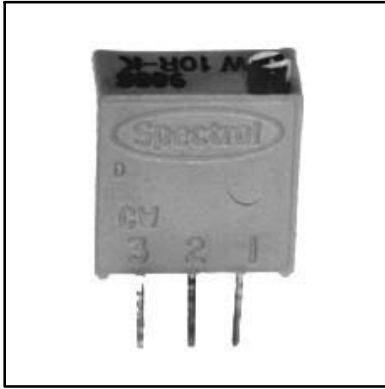


## Features

- Multifinger precious metal wiper for long term set point stability
- Central pivot locating gear for improved stability
- Unique ratchet device integral with gear to ensure long term reliability
- Double chevron shaft for sealing plus constant torque and reliable adjustability
- IC style pins for easier board insertion

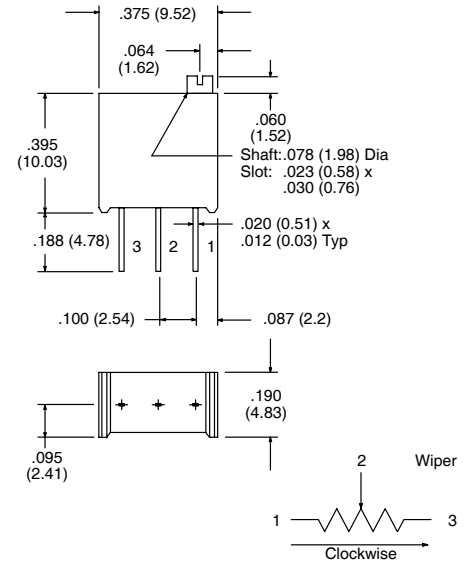


Spectrol No.	NTE Part No.	Value (Ohms)	Adjust	Diag No.
64W-100	500-0192	10	Top	T6
64W-200	500-0193	20	Top	T6
64W-500	500-0194	50	Top	T6
64W-101	500-0195	100	Top	T6
64W-201	500-0196	200	Top	T6
64W-501	500-0197	500	Top	T6
64W-102	500-0198	1K	Top	T6
64W-202	500-0199	2K	Top	T6
64W-502	500-0200	5K	Top	T6
64W-103	500-0201	10K	Top	T6
64W-203	500-0202	20K	Top	T6
64W-253	500-0203	25K	Top	T6
64W-503	500-0204	50K	Top	T6
64W-104	500-0205	100K	Top	T6
64W-204	500-0206	200K	Top	T6
64W-254	500-0207	250K	Top	T6
64W-504	500-0208	500K	Top	T6
64W-105	500-0209	1M	Top	T6
64W-205	500-0210	2M	Top	T6

# Spectrol 64W Series

## Trimmer – 3/8” square, multiturn cermet

### T6



## Specifications

### Electrical

**Effective Travel:** 25 turns nom

**Resistance Range:** 10Ω to 2 Meg Ω

**Resistance Tolerance:** ±10%

**End Resistance:** Less than 2Ω

**Temperature Coefficient of Resistance:**

100 ppm/°C. 100Ω thru 2 Meg Ω

0 to +250 ppm/°C. below 100Ω

**Power Rating:** 1/2 Watt @ 70°C derated to 0 Watts @ 125°C

**Dielectric Withstanding Voltage:**

1000V AC at sea level

250V AC at 80,000 feet (24,400 meters)

**Insulation Resistance:** 1000 Meg Ω min

**Contact Resistance Variation:** 2% or 20Ω, whichever is greater

### Mechanical

**Stop:** Contact idles at stop

**Operating Torque:** 3mNm nom

**Resistance Element:** Cermet

**2-Terminal Adjustability:** 0.05% of RT

**3-Terminal Adjustability:** 0.01% of applied voltage

### Environmental

**Operating Temperature:** -55°C to +125°C

**Electrical Endurance:** 1000 hour

**Mechanical Life:** 200 cycles