

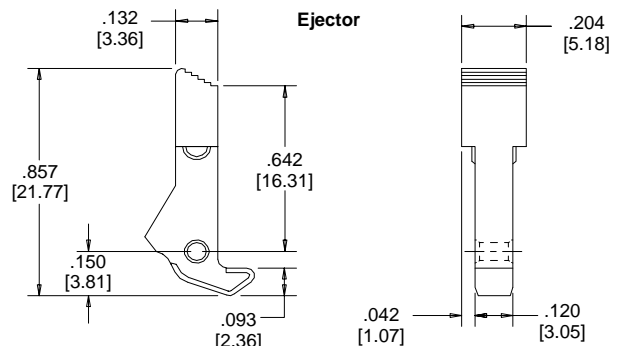
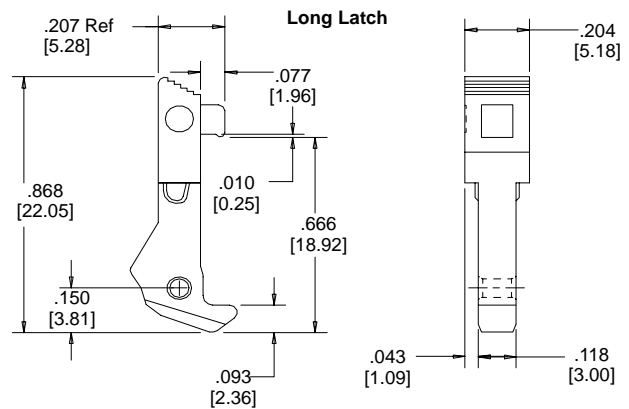
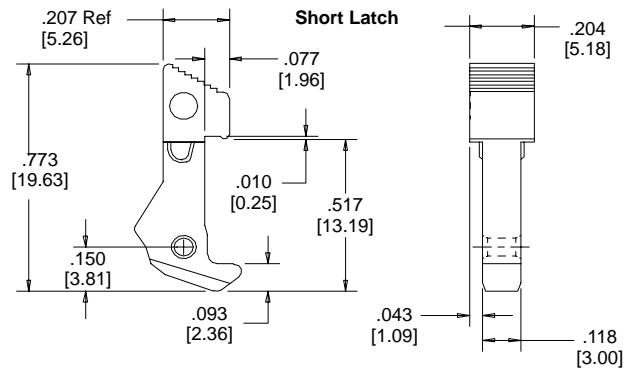
# .100" × .100" Latch/Ejector Header

## Accessories



### Roll Pin Latches

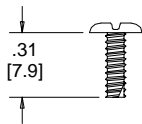
Product	Part Number	Material	Color
Short Latch	3505-2	PBT	Gray
Long Latch	3505-3	PBT	Gray
Ejector	3505-4	Nickel Plated Zinc Alloy	Nickel



Note: Roll Pins included with latches.

### Mounting Hardware

**3341-5**  
(Installed from bottom of board)



Panhead Thread Cutting  
Screw: #4-24 X 5/16"  
Type: USA Std BT, Federal BG

**3341-6**  
(Installed with Latches removed)

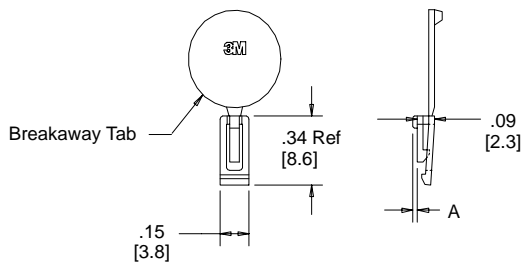


Hex Head Bolt, Nut and Washer  
Bolt - #2-56 X 1/2"

**3341-5 & 6**  
Material - Stainless Steel

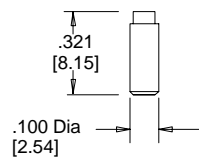
### Polarizing Keys

Part Number	Material	Color	Dim A
3518	PBT	Gray	.02



Note: #2216 B/A Scotchweld can be used to adhere keys.

### Polarizing Post



Part Number	Material	Color
3201-3	PBT	Gray
3201-4	LCP	Black

Note: Insert Post into one mounting hardware hole on bottom of header. Set post to protrude .115".

TS-0162-13  
Sheet 1 of 2

## 3M Interconnect Solutions Division

6801 River Place Blvd.  
Austin, TX 78726-9000

For technical, sales or ordering information call  
**800-225-5373**

# .100" × .100" Latch/Ejector Header

## Accessories

### Snap-In Latches

Product	Part Number	Material	Color
Short Latch	3505-30	PPA	Gray
	N3505-30	PPA	Beige
Long Latch	3505-31	PPA	Gray
	N3505-31	PPA	Beige

