



COMPLIES WITH REQUIREMENTS OF

* IEC STANDARDS 947-4-1 AND 947-5-1 LOW VOLTAGE DIRECTIVE

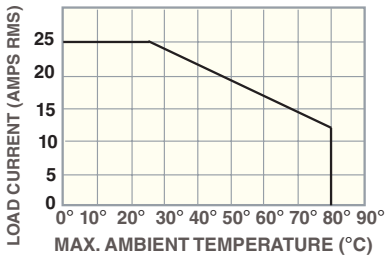


* IEC = INTERNATIONAL ELECTROTECHNICAL COMMISSION

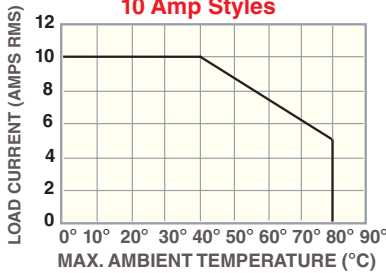
* CE TESTING AND EVALUATION PERFORMED BY THE UNDERWRITERS LABORATORIES AS A THIRD PARTY PARTICIPANT

THERMAL DERATING CURVE & LOAD CHARACTERISTICS

25 Amp Styles



10 Amp Styles



RANDOM TURN-ON AND NORMALLY CLOSED VERSIONS AVAILABLE

FEATURES

- INTEGRAL HEATSINK
- DIN CLIP
- SOLID STATE CIRCUITRY
- OPTICALLY COUPLED CIRCUIT
- INTERNAL SNUBBER

BENEFITS

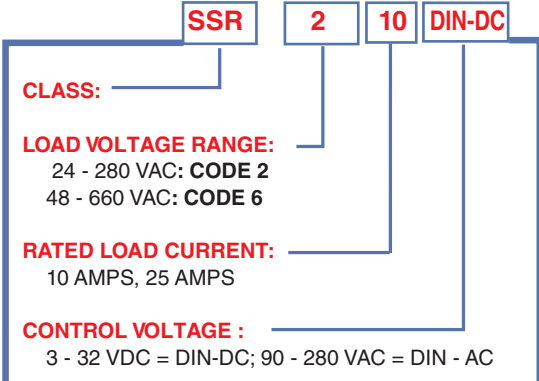
- FACTORY TESTED THERMAL MANAGEMENT
- MOUNT DIRECTLY ON DIN RAIL OR PANEL
- NO MOVING PARTS
- ISOLATE INPUT FROM OUTPUT
- PROTECTS FROM TRANSIENTS

AC & DC CONTROLLED INPUT. INTEGRAL HEATSINK. OPTICALLY COUPLED FOR 4000 VAC ISOLATION BETWEEN INPUT AND OUTPUT AND RFI SUPPRESSION. 30 MILLIMETERS WIDE PANEL/DIN MOUNTABLE(35 mm RAIL) FINGER SAFE COVER L. E. D. STATUS LAMP LIFETIME WARRANTY

MANUFACTURED UNDER ISO 9002

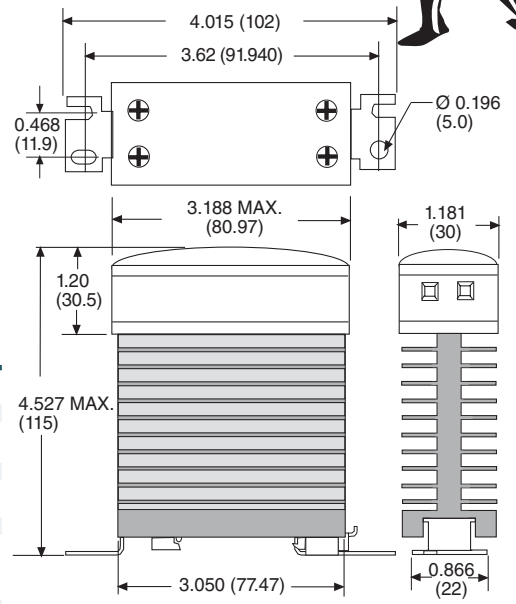


ORDERING CODE



OUTLINE DIMENSIONS

DIMENSIONS SHOWN IN INCHES & (MILLIMETERS).



GENERAL SPECIFICATIONS (@ 25°C)

INPUT CHARACTERISTICS

Control Voltage Range:	DIN-AC: 90-280 VAC (50/60 Hz) / DIN-DC: 3 - 32 VDC
Typical Input Current:	AC: 12 mA; DC: 16 mA
Must Release Voltage:	10 VAC / 1 VDC
Reverse Polarity Protection:	DC: Yes
Power Indicator:	Red L. E. D. Status lamp

OUTPUT CHARACTERISTICS

Style:	SSR:	210DIN-AC	225DIN-AC	610DIN-AC	625DIN-AC	210DIN-DC	225DIN-DC	610DIN-DC	625DIN-DC
Load Voltage Range (50/60 Hz):		40-280 VAC	40-280 VAC	48-660 VAC	48-660 VAC	40-280 VAC	40-280 VAC	48-660 VAC	48-660 VAC
Rated Load Current:		10 Amp	25 Amp	10 Amp	25 Amp	10 Amp	25 Amp	10 Amp	25 Amp
Maximum Off State Voltage dv/dt:		200 uS	500 uS	200 uS	700 uS	200 uS	500 uS	200 uS	700 uS
Minimum Load Current:		50 mA	120 mA	80 mA	250 mA	50 mA	120 mA	80 mA	250 mA
Non-Repetitive Surge Current (1 Cycle):		83 A	800 A	83 A	1000 A	83 A	800 A	83 A	1000 A
Maximum Off State Leakage Current (Rms)		10 mA	10 mA	10 mA	10 mA	10 mA	10 mA	10 mA	10 mA
Typical On-State Voltage Drop (Rms):		1.25 VAC	1.35 VAC	1.25 VAC	1.35VAC	1.25 VAC	1.25 VAC	1.25 VAC	1.35 VAC
Maximum I ² T For Fusing (A ² Sec):		83	3700	83	1700	83	3700	83	1700
Maximum Turn - On Time:		8.3 mS							
Maximum Turn - Off Time:		8.3 mS							

RECOMMENDED SPACING BETWEEN MULTIPLE SSR's: 0.75 INCH

MISCELLANEOUS CHARACTERISTICS

Dielectric Strength (Input/Output/Base):	4000 V rms
Insulation Resistance:	100 megohms minimum @ 500 VDC
Operating Temperature Range:	-30°C to +80°C
Storage Temperature Range:	-40°C to +100°C
Weight:	340 grams approx.

STANDARD PART NUMBERS	RATED LOAD CURRENT
SSR210DIN-AC	10 AMPS
SSR225DIN-AC	25 AMPS
SSR610DIN-AC	10 AMPS
SSR625DIN-AC	25 AMPS
SSR210DIN-DC	10 AMPS
SSR225DIN-DC	25 AMPS
SSR610DIN-DC	10 AMPS
SSR625DIN-DC	25 AMPS

