

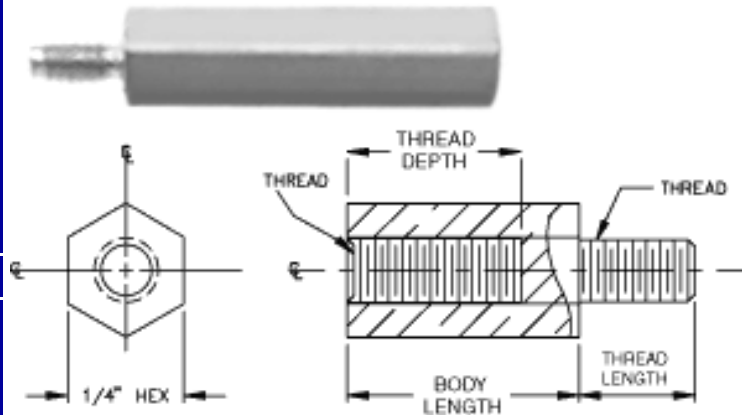


Custom Capabilities	Test Accessories	Plugs, Jacks, Posts	Connectors	Hardware	Spacers/Standoffs
---------------------	------------------	---------------------	------------	----------	-------------------

- [Home](#)
- [About](#)
- [Abbatron](#)
- [Products](#)
- [Locate](#)
- [Distributor](#)
- [or](#)
- [Representative](#)
- [Contact Us](#)
- [Request](#)
- [Information](#)
- [Site Map](#)

## Aluminum Male/Female Hex Standoffs

- Aluminum spacers offer a Light-weight alternative to standard brass counterparts. These spacers are non-magnetic, and can withstand sever conditions when properly finished
- Yellow Irridite is the standard finish. Alternative colors or finishes are also available in quantity, as are odd sizes such as metric or swage. Call for details
- All part numbers as indicated in table are standard factory supported parts



BODY LENGTH		4-40	6-32	8-32
.250	1/4	8000C	8001C	8002C
.375	3/8	8000E	8001E	8002E
.500	1/2	8000G	8001G	8002G
.625	5/8	8000J	8001J	8002J
.750	3/4	8000L	8001L	8002L
.875	7/8	8000N	8001N	8002N
1.000	1	8000Q	8001Q	8002Q
1.125	1-1/8	8000R	8001R	8002R
1.250	1-1/4	8000S	8001S	8002S
1.375	1-3/8	8000T	8001T	8002T
1.500	1-1/2	8000U	8001U	8002U
1.625	1-5/8	8000V	8001V	8002V
1.750	1-3/4	8000W	8001W	8002W
2.000	2	8000Y	8001Y	8002Y
2.500	2-1/2	8000ZB	8001ZB	8002ZB
3.000	3	8000ZD	8001ZD	8002ZD

Inventory Search

Cross Reference

UPS Tracking

632 Arch Street, POB  
726 Meadville, PA 16335  
USA 814-724-6440  
[Contact Webmaster](#)

© June 6, 2005

Thread Specs for Male/Female Spacers			
Thread Size	Body Length	Thread Depth	Thread Length
4-40	1/4 to 3/8	3/16	7/32
6-32	1/4 to 3/8	3/16	9/32
	1/2 to 3"	3/8	9/32
8-32	1/4 to 3/8	3/16	13/32
	1/2 to 3"	7/16	13/32

[home](#) | [about abbatron](#) | [products](#) | [locate distributor or representative](#) | [contact us](#) | [request information](#) | [site map](#)