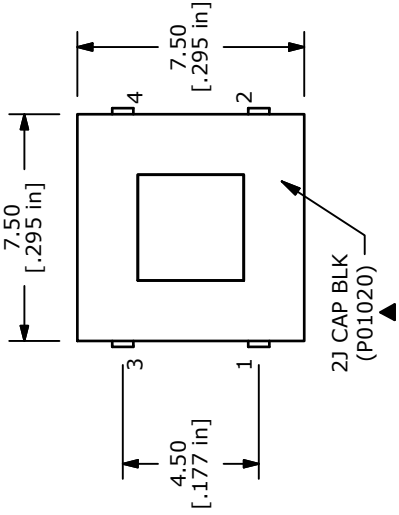
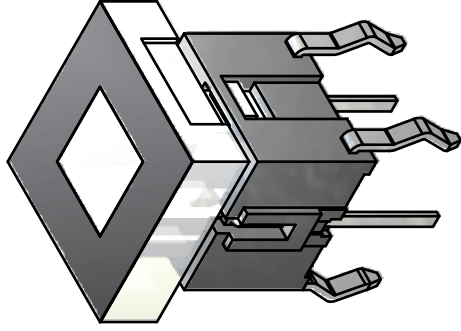
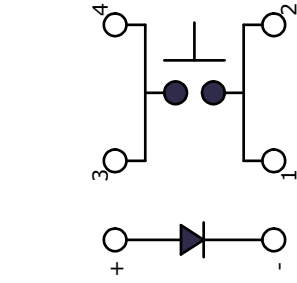


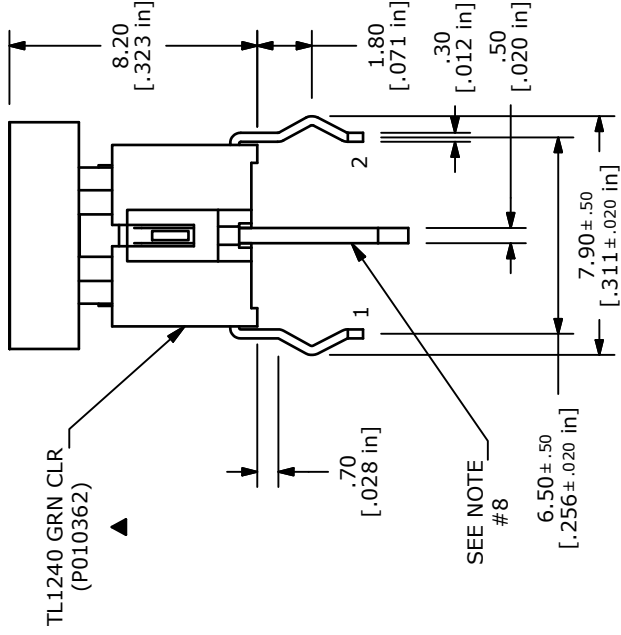
P.C.B. LAYOUT



2J CAP BLK (P01020)

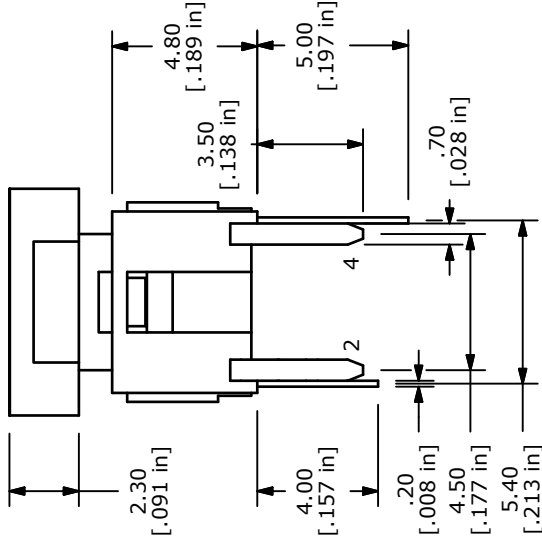


CIRCUIT: SPST



NOTES:

1. ALL DIMENSIONS IN MM
2. GENERAL TOLERANCE: X.X=±0.4  
X.XX=±0.25
3. RATING: 50mA @ 12VDC
4. TRAVEL: 0.25 +0.2/0.1mm
- ▲5. OPERATING FORCE: 160±50gf
6. CONTACT RESISTANCE: 100 Milli-Ohms Max
7. 2002/95/EC (ROHS) COMPLIANT
- ▲8. SHORTER LEAD WITH COLOR IS NEGATIVE (CATHODE).
9. ▲ DENOTES CRITICAL PARAMETER



LED SPECS	UNITS	GREEN
FORWARD CURRENT	mA	20
FORWARD VOLTAGE	V	2.1-2.5
LUMINOUS INTENSITY	MCD	5



TITLE TL1240GQ2JBLK

E	19550	DRAWING UPDATE / CLEAN-UP	12/28/10	BGL
REV	PCR NO	DESCRIPTION	DATE	BY

THE INFORMATION CONTAINED IN THIS DOCUMENT IS PROPRIETARY TO E-SWITCH AND IS NOT TO BE COPIED OR TRANSFERRED

SCALE 4:1

DATE 12/28/2010

DR BGL

DWG XP0055A

REV E