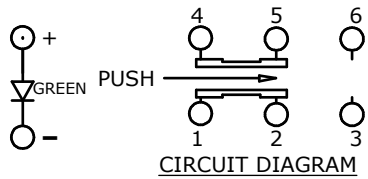
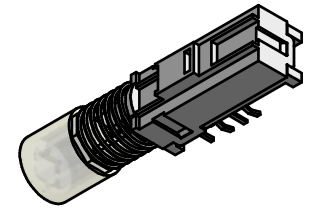
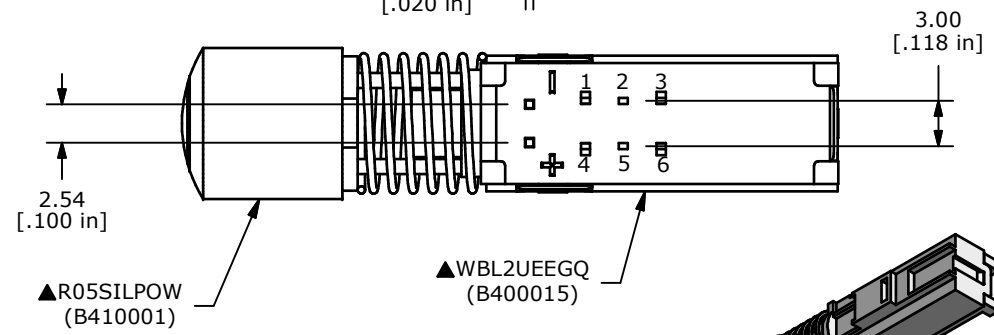
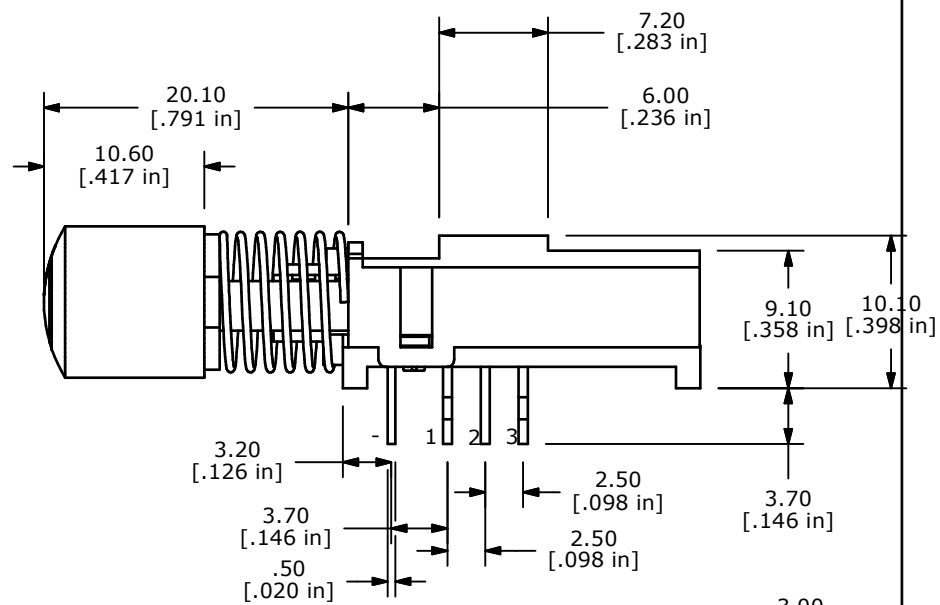
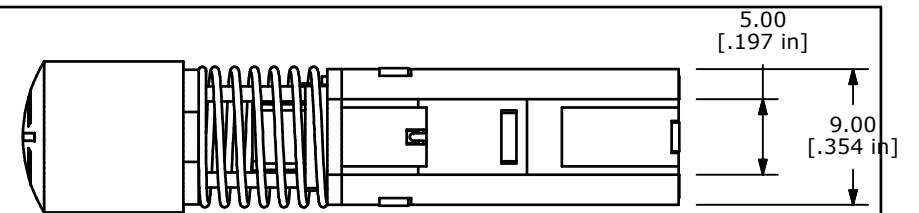
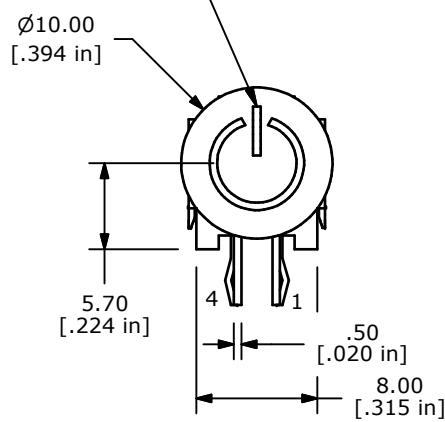


PCB LAYOUT



CIRCUIT DIAGRAM

NOTE SYMBOL ORIENTATION



- NOTES:
1. ALL DIMENSIONS IN MM [INCH]
 2. GENERAL TOLERANCE: x.x=± 0.4mm
x.xx=± 0.25mm
 3. RATING: DC 30V, 0.3A
 4. OPERATING FORCE: 200± 100gf
 5. TRAVEL: FULL: 3.3mm, LOCK: 2.5mm
 6. LIFE CYCLES: 10,000 CYCLES
 7. OPERATING TEMPERATURE: -20°C TO 70°C
 8. CONTACT RESISTANCE: 20mΩ MAX.
 9. INSULATION RESISTANCE: 100MΩ MIN@ 500VDC.
 - ▲ 10. LED COLOR: GREEN
 - ▲ 11. ▲ DENOTES CRITICAL PARAMETER.
 12. 2002/95/EC (RoHS) COMPLIANT.

LED SPECS	UNITS	GREEN
FORWARD CURRENT	mA	30
FORWARD VOLTAGE @20mA	V	1.7 Typ-2.6 Max
LUMINOUS INTENSITY @ 10mA	MCD	4.7-7.8



A	20898	RELEASE FOR PRODUCTION	11/30/12	EBP
REV	PCR NO	DESCRIPTION	DATE	BY
THE INFORMATION CONTAINED IN THIS DOCUMENT IS PROPRIETARY TO E-SWITCH AND IS NOT TO BE COPIED OR TRANSFERRED				

TITLE WBL2UEEGQR05SILPWR				
SCALE	DATE	DR	DWG	REV
	11/30/2012	EBP	XB0942P	A