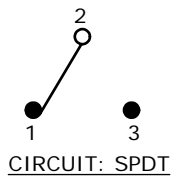


P.C.B. LAYOUT

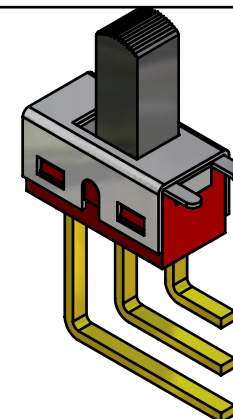
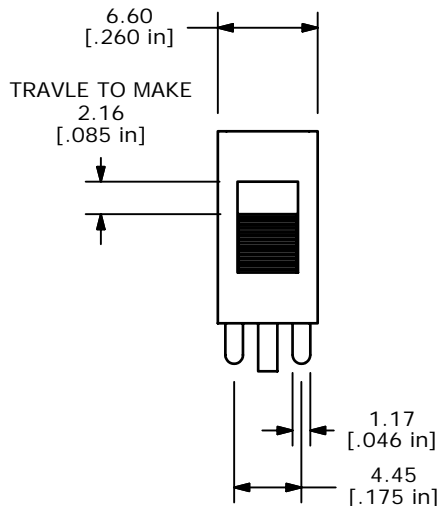
SWITCH FUNCTION		
POS. 1	POS. 2	POS. 3
ON	NONE	ON
2-1	N/A	2-3

(E)

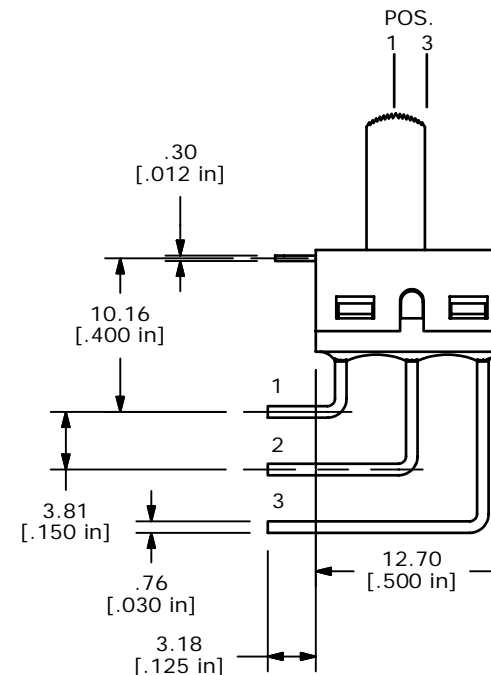
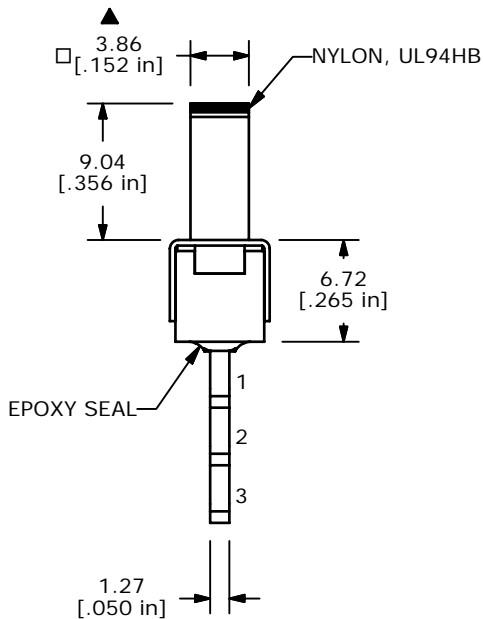


NOTE:

1. ALL DIMENSIONS IN MM [INCH]
2. GENERAL TOLERANCE: X.X=±0.4
X.XX=±0.25
3. TERMINAL NUMBERS FOR REF ONLY
- ▲ 4. PLATING MATERIAL: GOLD
5. RATING: 0.4 (VA) MAX. @20V MAX. (AC OR DC)
6. ELECTRIC LIFE: 30,000 ACTUATIONS AT FULL LOAD. (E)
7. INSULATION RESISTANCE: 1,000 MEGA-OHM MIN.
8. DIELECTRIC STRENGTH: 1,000 V RMS @SEA LEVEL.
9. OPERATING TEMP.: -30°C to 85°C
10. ▲ DENOTES CRITICAL PARAMETER.



ISOMETRIC



F	15262	DIM TO 10.16 FROM 8.93	9/12/05	PH
E	15220	CHANGES NOTED WITH (E)	9/1/05	PH
D	15192	CHANGED DIM. FROM 8.93 TO 10.16	8/22/2005	PH
C	14954	REVISED AND REDRAWN	5/25/05	JB
REV	PCR NO	DESCRIPTION	DATE	BY

THE INFORMATION CONTAINED IN THIS DOCUMENT IS PROPRIETARY TO E-SWITCH AND IS NOT TO BE COPIED OR TRANSFERRED

E-SWITCH®

TITLE 500SSP1S3M7REA

SCALE	DATE	DR	DWG	REV
2:1	8/19/2002	CJB	T513001	F