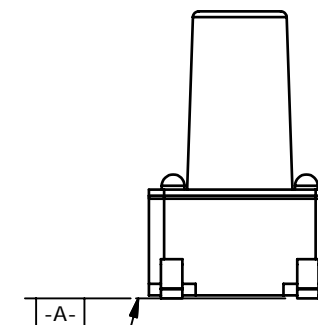
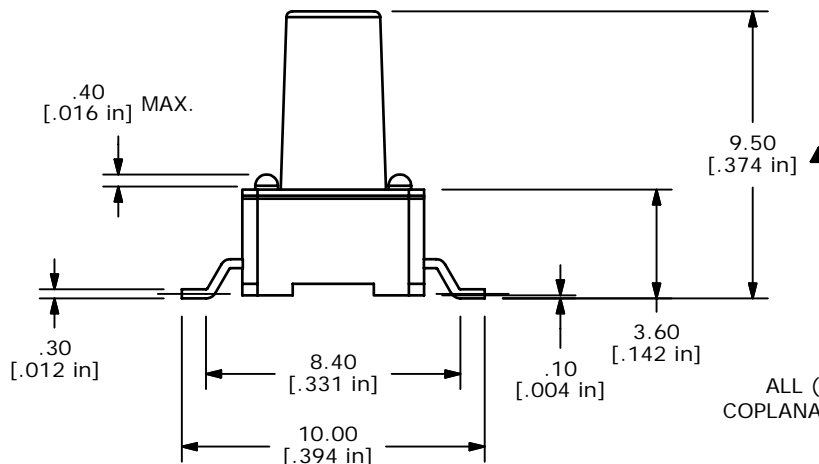
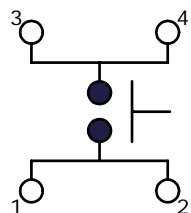


ISOMETRIC



ALL (4) TERMINALS  
COPLANAR W/IN .10(.004")

NOTES:

1. ALL DIMENSIONS IN MM
2. GENERAL TOLERANCE: X.X=±0.4  
X.XX=±0.25
3. TERM. NOS. FOR REFERENCE ONLY.
- ▲4. RATING: 12VDC, 50mA
5. OPERATING FORCE: 160 ± 50 gms
6. TRAVEL: 0.25 ± .1mm
7. CONTACT RESISTANCE: 100 MILLI OHMS MAX. (INITIAL)
8. MECHANICAL/ELECTRICAL LIFE 100,000 CYCLES MIN.
9. SILVER CONTACTS
- ▲10. 2002/95/EC (ROHS) COMPLIANT
- ▲11. PACKAGING: TAPE AND REEL/500 PCS PER.
12. ▲ DENOTES CRITICAL PARAMETER



TITLE TL3301BF160QG

A	17434	RELEASED FOR PRODUCTION	7/11/07	TN
REV	PCR NO	DESCRIPTION	DATE	BY

THE INFORMATION CONTAINED IN THIS DOCUMENT IS PROPRIETARY TO E-SWITCH AND IS NOT TO BE COPIED OR TRANSFERRED

SCALE	DATE	DR	DWG	REV
4:1	7/11/2007	TN	P010709	A