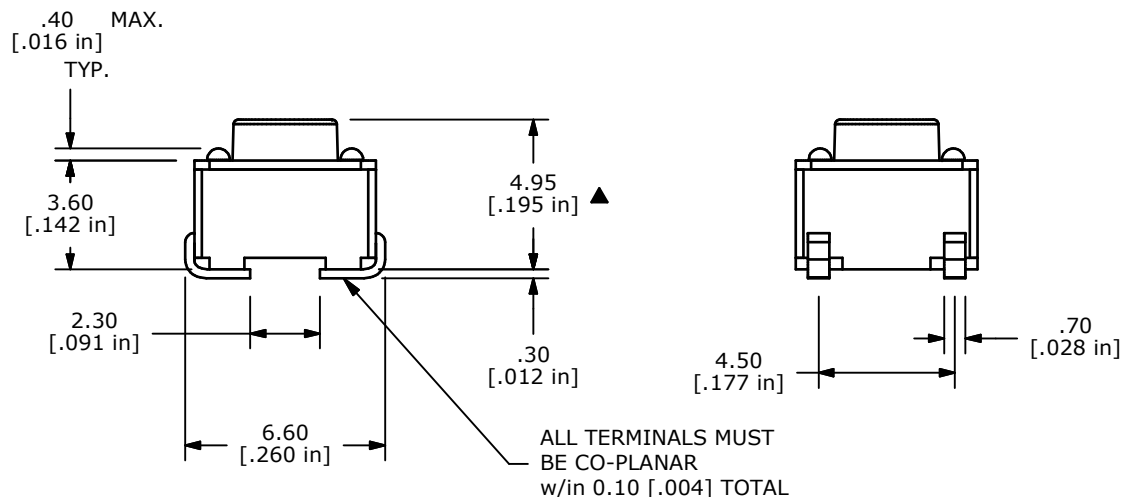
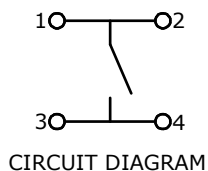


ISOMETRIC



NOTES:

1. ALL DIMENSIONS IN MM
2. GENERAL TOLERANCE: X.X=±0.4  
X.XX=±0.25
3. TERM. NOS. FOR REFERENCE ONLY.
4. RATING: 12VDC, 50mA
- ▲5. OPERATING FORCE: 65±20 GRAMS
6. TRAVEL: 0.25mm ±0.1
7. CONTACT RESISTANCE: 50 MILLI OHMS MAX. (INITIAL)
8. LIFE: 5 MILLION CYCLES
- ▲9. SILVER CONTACTS
- ▲10. PACKAGE: TAPE AND REEL, 1,100 PCS PER REEL
11. ▲ DENOTES CRITICAL PARAMETER
12. 2002/95/EC (ROHS) COMPLIANT



B	17378	ADDED COPLANAR NOTE	6/11/07	TN
A	16547	RELEASED FOR PRODUCTION	11/02/2006	TN
REV	PCR NO	DESCRIPTION	DATE	BY

TITLE LL3301AF065QJ				
SCALE	DATE	DR	DWG	REV
4:1	6/11/2007	TN	P010453	B

THE INFORMATION CONTAINED IN THIS DOCUMENT IS PROPRIETARY TO E-SWITCH AND IS NOT TO BE COPIED OR TRANSFERRED