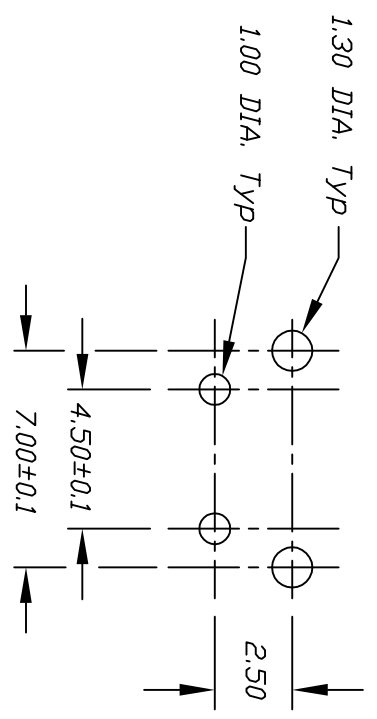
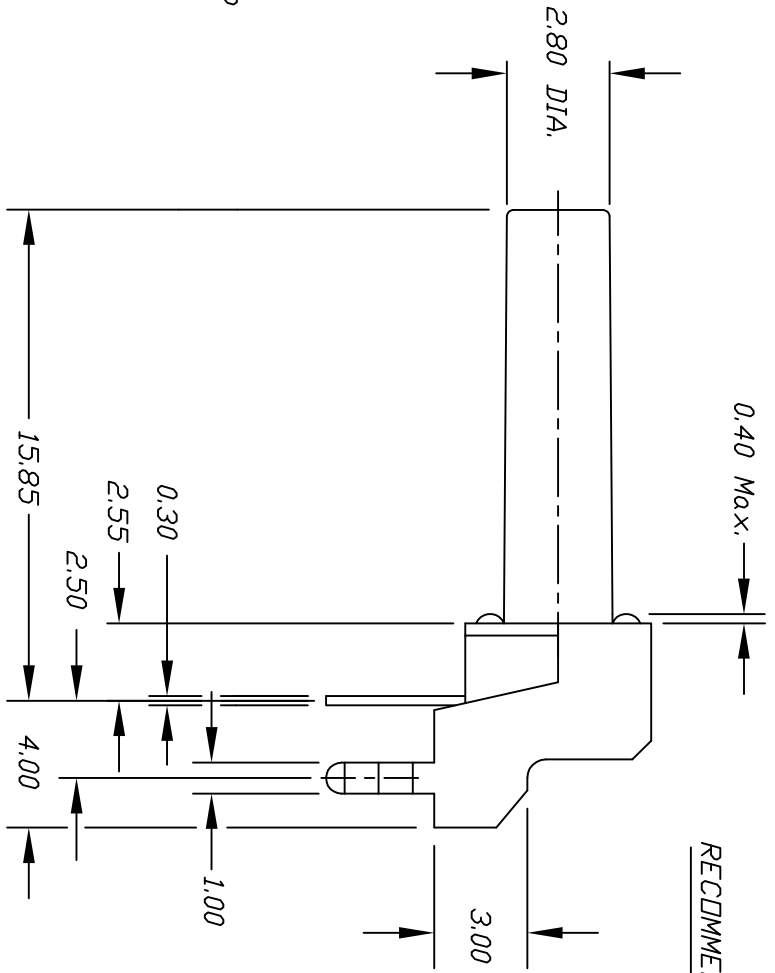
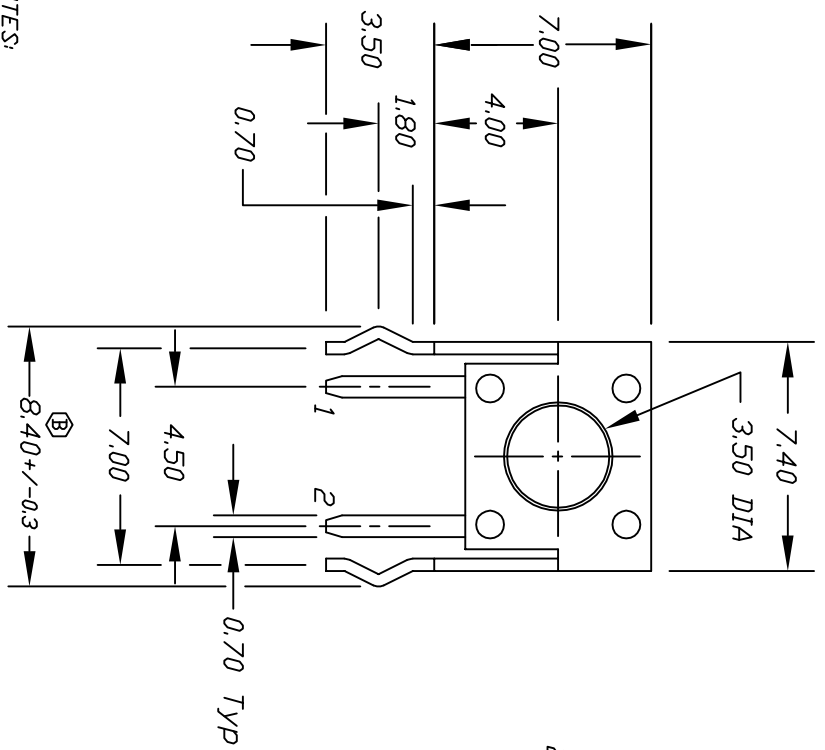


CONTACT CONFIGURATION



RECOMMEND P.C.B. LAYOUT



NOTES:

1. ALL DIMENSIONS IN MM
2. TERM. NOS. FOR REF ONLY
3. RATING: DC 12V, 50mA
4. TRAVEL: 0.25±0.1mm
5. CONTACT RESISTANCE: 100 Ohms Max.
6. 2002/95/EC (ROHS) COMPLIANT

REVISED & REDRAWN		7/14/98							
REV.	DESCRIPTION	DATE	CHKD						
B	REVISED & REDRAWN	7/14/98							
<p style="text-align: center;">TOLERANCES</p> <table border="1"> <tr> <td>0.0</td> <td>±0.4</td> </tr> <tr> <td>0.00</td> <td>±0.25</td> </tr> </table>						0.0	±0.4	0.00	±0.25
0.0	±0.4								
0.00	±0.25								
TITLE		SCALE		DATE					
TL 1105Q F160 Q (STD. BRACKET)		4:1		1/12/10					
DR		DWG		REV					
BLR		P010022		C					
E-SWITCH [®]		LAMB INDUSTRIES							
<p style="text-align: center;">THE INFORMATION CONTAINED IN THIS DOCUMENT IS PROPRIETARY TO E-SWITCH AND IS NOT TO BE COPIED OR TRANSFERRED</p>									