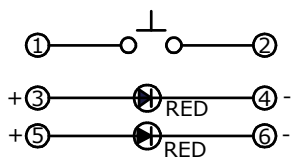


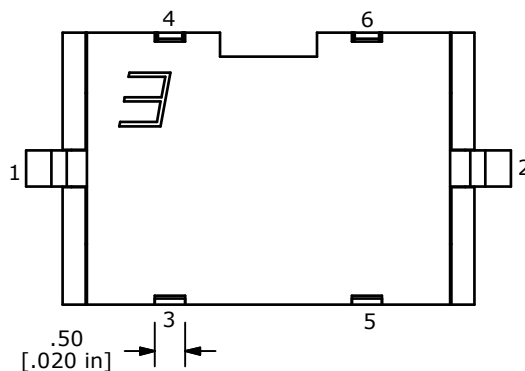
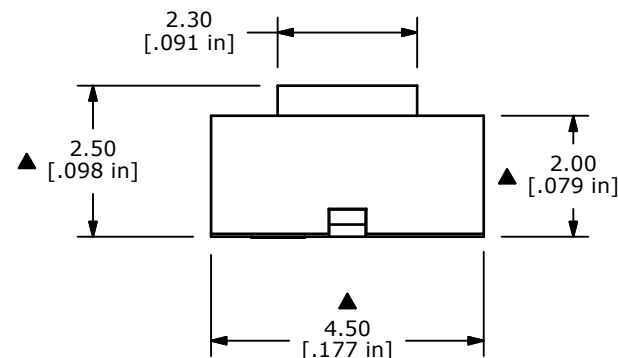
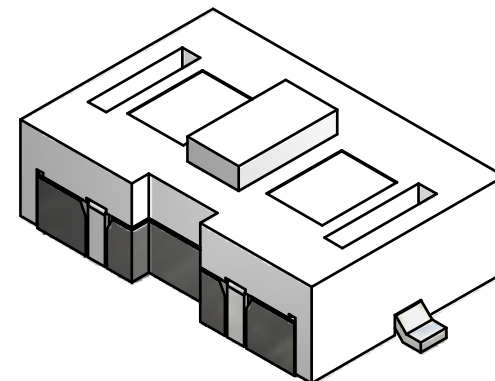
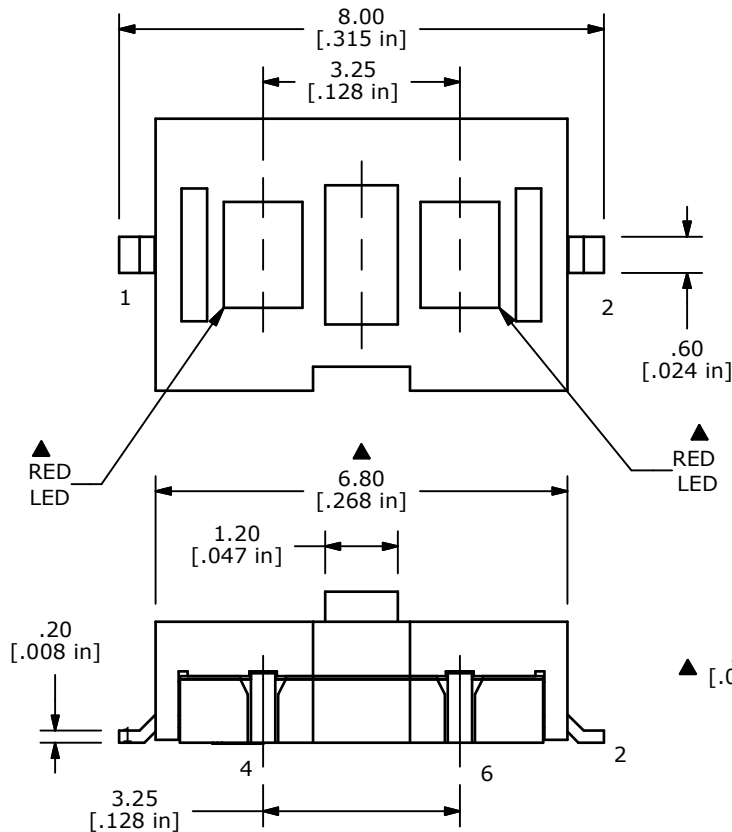
PC MOUNTING



▲ CIRCUIT

NOTES:

1. ALL DIMENSIONS IN MM [INCH]
2. GENERAL TOLERANCE: X.X=± 0.4  
X.XX=± 0.25
3. RATING: 12VDC, 50mA MAX.
4. CONTACT RESISTANCE: 500mΩ MAX.
5. INSULATION RESISTANCE: 100VDC, 100MΩ MIN.
6. TRAVEL: 0.25 mm
- ▲ 7. OPERATING FORCE: 160 +75/-30gf
8. OPERATING TEMPERATURE: -20°C TO 70°C
9. OPERATING LIFE: 30,000 CYCLES.
10. PACKAGING: TAPE & REEL, 3000 PIECES PER REEL
11. ▲ DENOTES CRITICAL PARAMETER
12. 2002/95/EC (ROHS) COMPLIANT
- Ⓜ 13. PLASTIC MATERIALS MEET OR EXCEED UL94-V0



LED Specifications	Units	Red	
Forward Current	mA	15	
Forward Voltage	V	1.7-2.6	
Luminous Intensity@20mA	mcd	4	

E	19366	ADD NOTE 13	10/19/10	BLR
D	18117	CORREC5T DRAWING VIEWS (MODELS)	5/29/08	BLR
C	17247	3,000 PCS PER REEL	5/2/07	TN
REV	PCR NO	DESCRIPTION	DATE	BY

THE INFORMATION CONTAINED IN THIS DOCUMENT IS PROPRIETARY TO E-SWITCH AND IS NOT TO BE COPIED OR TRANSFERRED



TITLE TL3200AF160RRQ

SCALE	8:1	DATE	10/19/2010	DR	BLR	DWG	B200101	REV	E
-------	-----	------	------------	----	-----	-----	---------	-----	---