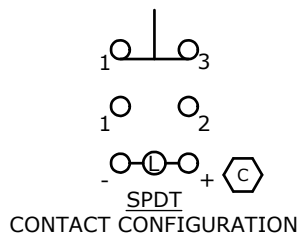
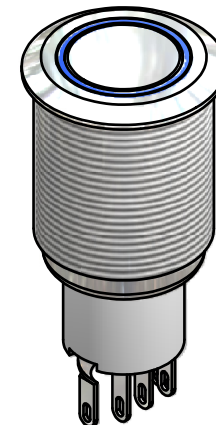
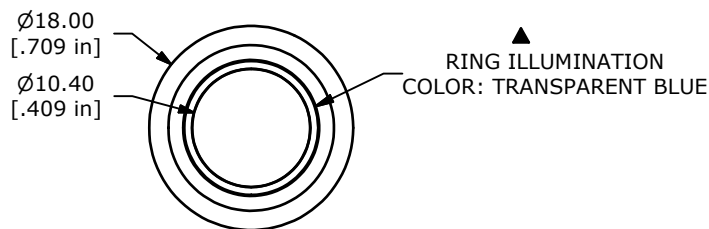


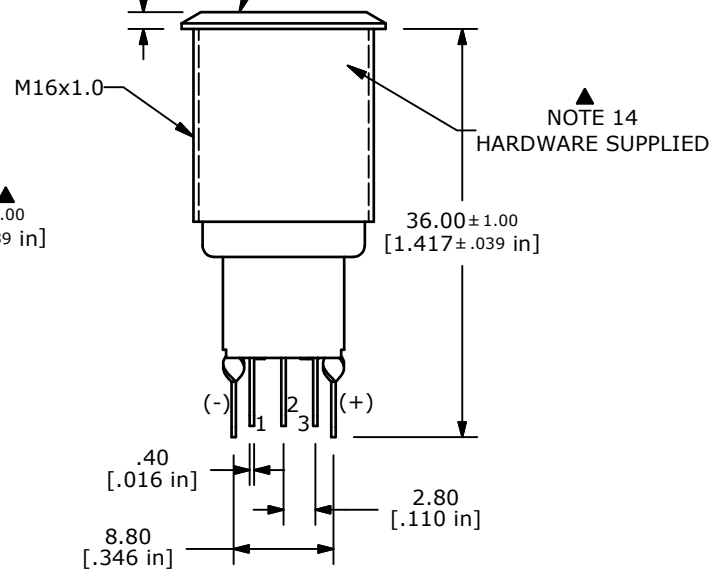
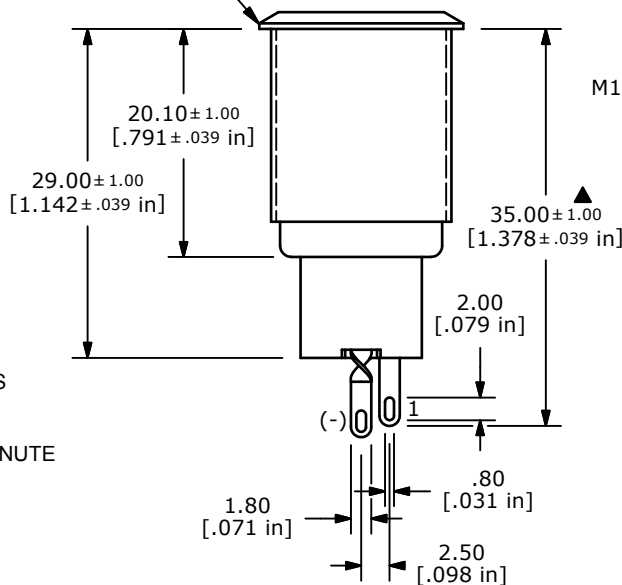
SWITCH FUNCTION	
POS. 1	POS. 2
ON	(ON)
1-3	1-2

(ON) = MOMENTARY



▲ BODY FINISH  
BRUSHED STAINLESS STEEL

▲ ACTUATOR FINISH  
BRUSHED STAINLESS STEEL



- NOTE:
1. ALL DIMENSIONS IN MM [INCH]
  2. GENERAL TOLERANCE: X.X=±0.4  
X.XX=±0.25
  3. TERMINAL NUMBERS FOR REF ONLY
  - ▲ 4. CONTACT MATERIAL: SILVER
  5. RATING: 2A 48VDC
  6. ELECTRIC LIFE: 50,000 MAKE-AND-BREAK CYCLES AT FULL LOAD.
  7. INSULATION RESISTANCE: 1,000 MΩ MIN.
  8. DIELECTRIC STRENGTH: 2,000 VAC MIN. FOR 1 MINUTE
  9. CONTACT RESISTANCE: 50mΩ MAX. @ 1A 12VDC
  10. OPERATING TEMP.: -20°C to 55°C
  11. ▲ DENOTES CRITICAL PARAMETER.
  - ▲ 12. LAMP VOLTAGE: 6V
  - ▲ 13. ILLUMINATION COLOR: BLUE
  14. HARDWARE SUPPLIED: O-RING AND HEXNUT
  - ▲ 15. INGRESS RATING: IP40
  16. 2002/95/EC (ROHS) COMPLIANT



C	20449	CORRECT CONTACT CONFIG.	02/02/12	BMA
B	20410	UPDATE AND CONVERT	01/19/12	BMA
REV	PCR NO	DESCRIPTION	DATE	BY

TITLE PV3F2B0BB-343				
SCALE 1.5:1	DATE 1/17/2012	DR BMA	DWG 52-PV3F2B0BB343	REV C

THE INFORMATION CONTAINED IN THIS DOCUMENT IS PROPRIETARY TO E-SWITCH AND IS NOT TO BE COPIED OR TRANSFERRED