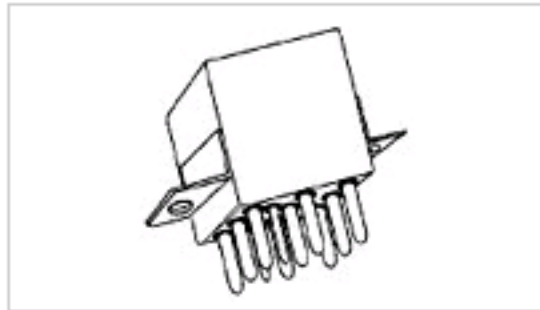




# FCA-325-BZ4 Product Details

[Share](#) | [Print](#) | [Email](#)


Active

## Military/Aerospace Mid-Range Relays

FCA-325-BZ4  
**FCA-325-BZ4**  
 TE Internal Number: 5-1617753-0

**Product Highlights** [View All](#)

- FCA 25 Amp Relay Series
- DC Actuating System
- Coil - Rated Voltage = 28 VDC
- Coil - Resistance = 290 Ω
- Contact - Arrangement = 3 Form C, 3PDT, 3 C/O

- [Pricing & Availability](#)
- [Request Sample](#)
- [Add to My Part List](#)
- [Buy Product through Distributor](#)

Feedback

[Documents](#) | [Features](#) | [Compliance](#) | [Additional Images](#)

**Please Note:**

Use the Product Drawing for all design activity

Product Type Features		Contact Features	
<b>Terminal Configuration</b> ?	Solder Pins	<b>Auxiliary Contacts</b>	Without
Electrical Characteristics		Configuration Features	
<b>Actuating System</b> ?	DC	<b>Contact - Arrangement</b> ?	3 Form C, 3PDT, 3 C/O
<b>Coil - Rated Voltage (VDC)</b> ?	28	<b>Coil - Magnetic System</b>	Polarized, Monostable
<b>Coil - Resistance (Ω)</b>	290	Industry Standards	
<b>Current Rating (A)</b> ?	25	<b>Government/Industry Qualification</b>	No
<b>Coil Suppression Diode</b> ?	With	<b>RoHS/ELV Compliance</b> ?	Not ELV/RoHS compliant
<b>Shock</b>	200G's, 6ms	<b>Lead Free Solder Processes</b> ?	Not suitable for lead free processing
<b>Vibration</b>	30G's, 33 to 3000Hz	Other	
<b>Back EMF Suppression (A)</b>	With	<b>Series</b>	FCA 25 Amp Relay
Body Features		<b>Brand</b>	CII
<b>Enclosure Type</b>	Hermetically Sealed		
<b>Mount Type</b>	No Brackets		
<b>Terminal Plating</b> ?	Tin-Lead		

**Related Products**

Not quite the product you're looking for?

[Find Similar Products](#)

[View Part in Product Feature Selector](#)

[Check for Tooling](#)

**Corporate Information**

- [About TE](#)
- [Investors](#)
- [News Room](#)
- [Supplier Portal](#)
- [Careers](#)
- [Terms & Conditions](#)
- [Privacy Policy](#)
- [Global Accessibility Statement](#)

**Quick Links**

- [Distributor Inventory](#)
- [Product Cross Reference](#)
- [Documents & Drawings](#)
- [Product Compliance Support Center](#)
- [Site Map](#)

**Customer Support**

- [Email or Chat With Us](#)
- [Find a Phone Number](#)
- [Knowledge Base](#)
- [Manage Your Account](#)

**Keep Me Informed**

