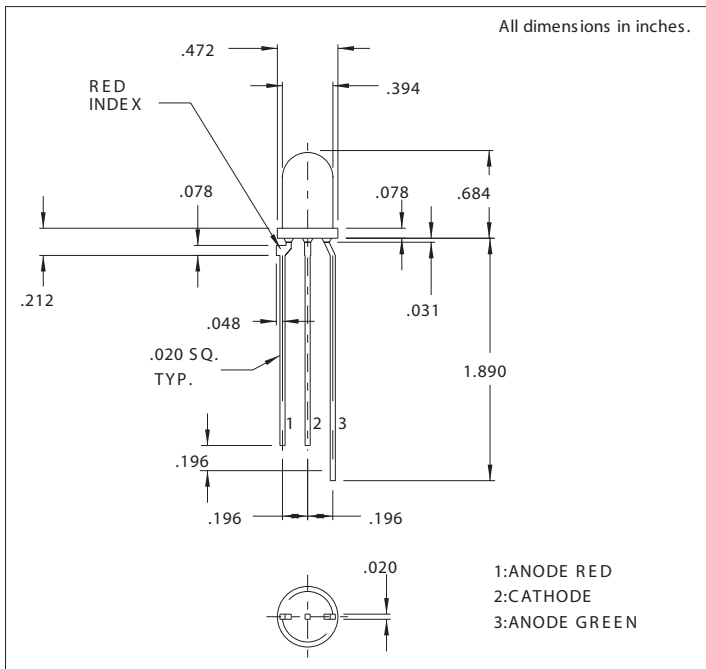


4361H1/5 Series High Brite Tri-Color T-1 3/4 LED Lamps

Description and Features



Features

T-1 3/4 Tri-color LEDs

- Provides red, green and amber in same three lead package.
- Chips are brightness matched.
- Lights amber when both chips are illuminated.

Electro-Optical Characteristics and Ratings

PART NUMBER	4361H1/5		4361H3/5	
	Red	Green	Amber	Green
Output Color	Red	Green	Amber	Green
Diffusion	Diffused	Diffused	Diffused	Diffused
Package Color	Clear	Clear	Clear	Clear
Test Current (mA)	20	20	20	20
Forward Voltage Typ. (V)	2.0	2.1	2.1	2.1
Forward Voltage Max. (V)	3.0	3.0	2.8	3.0
Luminous Intensity Min. (mcd)	2.2	3.0	1.5	3.0
Luminous Intensity Typ. (mcd)	6.3	10.0	5.0	10.0
Luminous Intensity Max. (mcd)	-	-	-	-
Peak Wavelength (nm)	650	563	610	563
Viewing Angle 2θ 1/2 (degrees)	40	40	40	40
Power Dissipation (mW)	60	75	75	75
Operating Temperature (°C)	-25 to +85	-25 to +85	-25 to +85	-25 to +85
Storage Temperature (°C)	-30 to +100	-30 to +100	-30 to +100	-30 to +100
Peak Forward Current Max. (1μs @ 10% duty cycle) (mA)	60	60	60	60
Reverse Voltage (IR=100μA) (V)	3	3	3	3
Lead Solder Time @ 260°C	5	5	5	5