

# C&K TDA Series Ultra-miniature Surface Mount Half-pitch DIP Switches

## Features/Benefits

- **Bifurcated contact for increased electrical reliability**
- **Tin-lead plated terminals for reliable solder coverage**
- **Process sealed for surface mount soldering and washable processing**
- **RoHS compliant - options available**

## Typical Applications

- **Hand-held electronic devices**
- **Portable computer and electronic devices**
- **Instrumentation and controls**



## How To Order

Complete part numbers for TDA Series are shown below. All switches supplied in "OFF" position.

## Specifications

SWITCH FUNCTION: SPST – 2, 4, 6, 8 & 10 positions.

CONTACT RATING:

24 V DC, 25 mA (switching).

50 V DC, 100 mA (steady state).

MECHANICAL AND ELECTRICAL LIFE: 1,000 cycles.

CONTACT RESISTANCE: 100 milliohms max.

INSULATION RESISTANCE: 100 megohms @ 100 V DC min.

DIELECTRIC STRENGTH: 300 V AC min.

STORAGE TEMPERATURE: -40°C to 85°C.

OPERATING TEMPERATURE: -20°C to 85°C.

OPERATING FORCE: 4,9N max.

SOLDERABILITY: Per MIL-STD-202F method 208D, or

EIA RS-186E method 9 (1 hour steam aging).

PACKAGING: Switches supplied in rigid dispensing tubes in full tube quantities only, this may affect order quantity. Numbers of switches per tube varies with model. Tape and reel packaging also available.

## Materials

CASE & COVER: Tin Lead, Version PPA (UL94V-0)

RoHS, Version PPS (UL94V-0)

ACTUATOR: LCP (UL94V-0).

CONTACTS: Copper alloy, with gold plate over nickel plate.

TERMINALS: Copper alloy, with tin-lead alloy over nickel plate.

RoHS version, copper alloy, with gold flash over nickel plate.

All terminals are insert molded.

TAPE SEAL: Polyimide.

**NOTE:** For the latest information regarding RoHS compliance, please go to: [www.ittcannon.com/rohs](http://www.ittcannon.com/rohs).

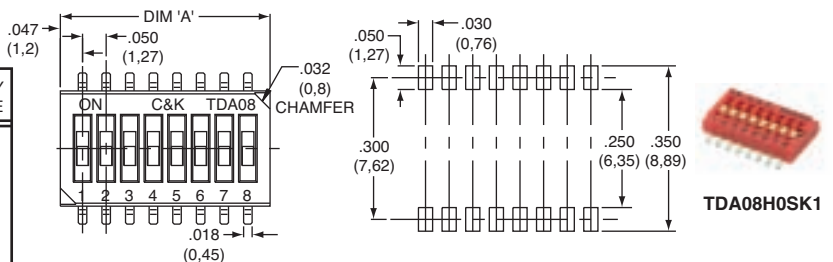
**Note:** Specifications and materials listed above are for switches with standard options. For information on specific and custom switches, consult Customer Service Center.

## Tube Package

ROHS PART NUMBER	TIN LEAD PART NUMBER	NO. POS.	DIM. 'A'	QUANTITY PER TUBE
TDA02H0SB1	TDA02H0SK1	2	.144 (3,67)	125
TDA04H0SB1	TDA04H0SK1	4	.244 (6,21)	70
TDA06H0SB1	TDA06H0SK1	6	.344 (8,75)	50
TDA08H0SB1	TDA08H0SK1	8	.444 (11,29)	40
TDA10H0SB1	TDA10H0SK1	10	.544 (13,83)	30

Schematic

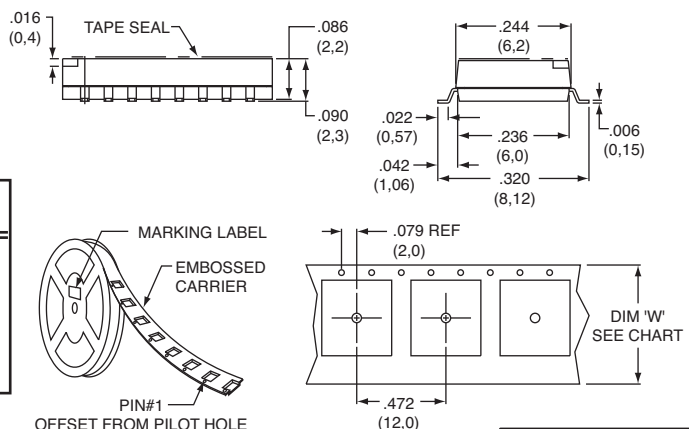
SPST



TDA08H0SK1

## Tape & Reel Package

ROHS PART NUMBER	TIN LEAD PART NUMBER	NO. POS.	DIM. 'W'	QUANTITY PER TUBE
TDA02H0SB1R	TDA02H0SK1R	2	.630 (16,0)	2000
TDA04H0SB1R	TDA04H0SK1R	4	.630 (16,0)	2000
TDA06H0SB1R	TDA06H0SK1R	6	.630 (16,0)	2000
TDA08H0SB1R	TDA08H0SK1R	8	.945 (24,0)	2000
TDA10H0SB1R	TDA10H0SK1R	10	.945 (24,0)	2000



Dimensions are shown: Inch (mm)  
Specifications and dimensions subject to change