

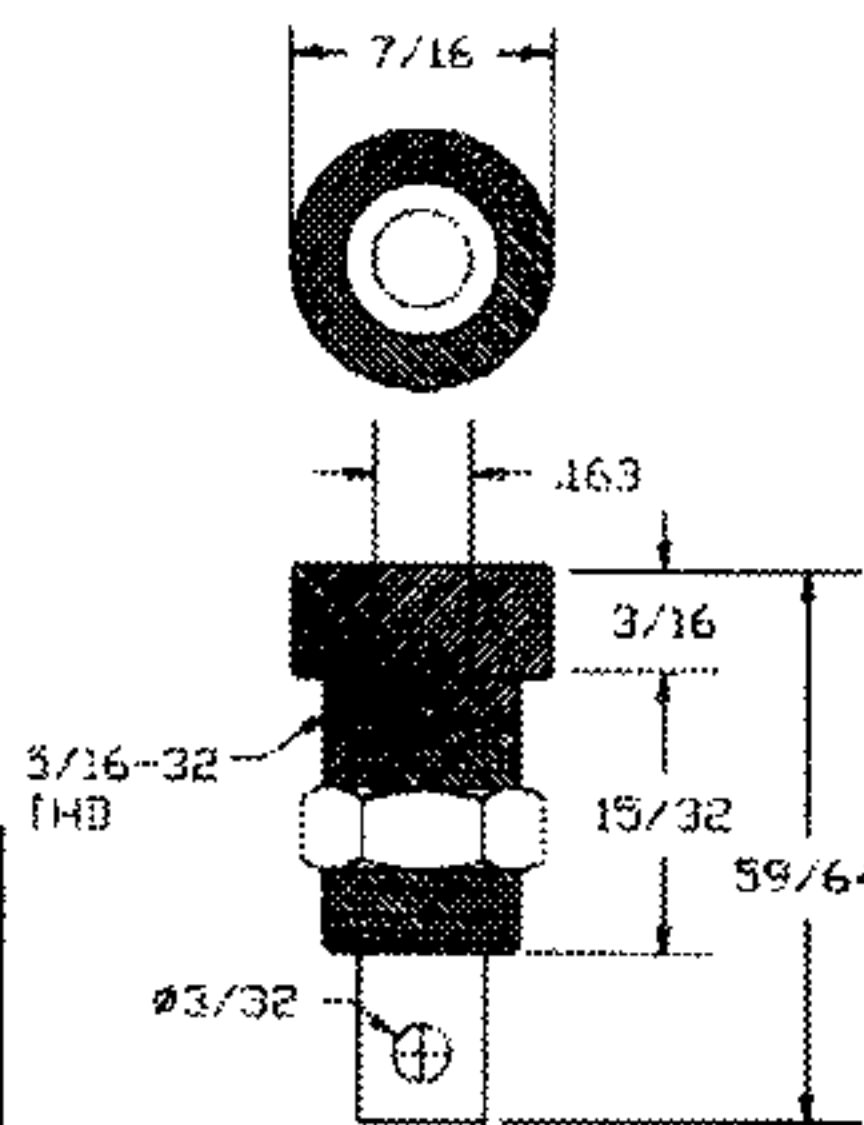
# BANANA JACKS

## 09-9125-1-044XX BANANA PANEL JACK FINISH COLOR INSULATED

RATED FOR 15 AMPERES  
CONTINUOUS DUTY



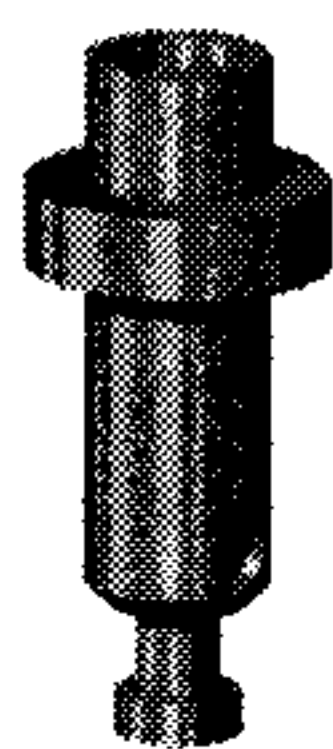
Accepts standard banana plugs.  
Mounts in 5/16" round hole in panel up to 5/16" thick. Available in colors (see color chart at bottom of page).



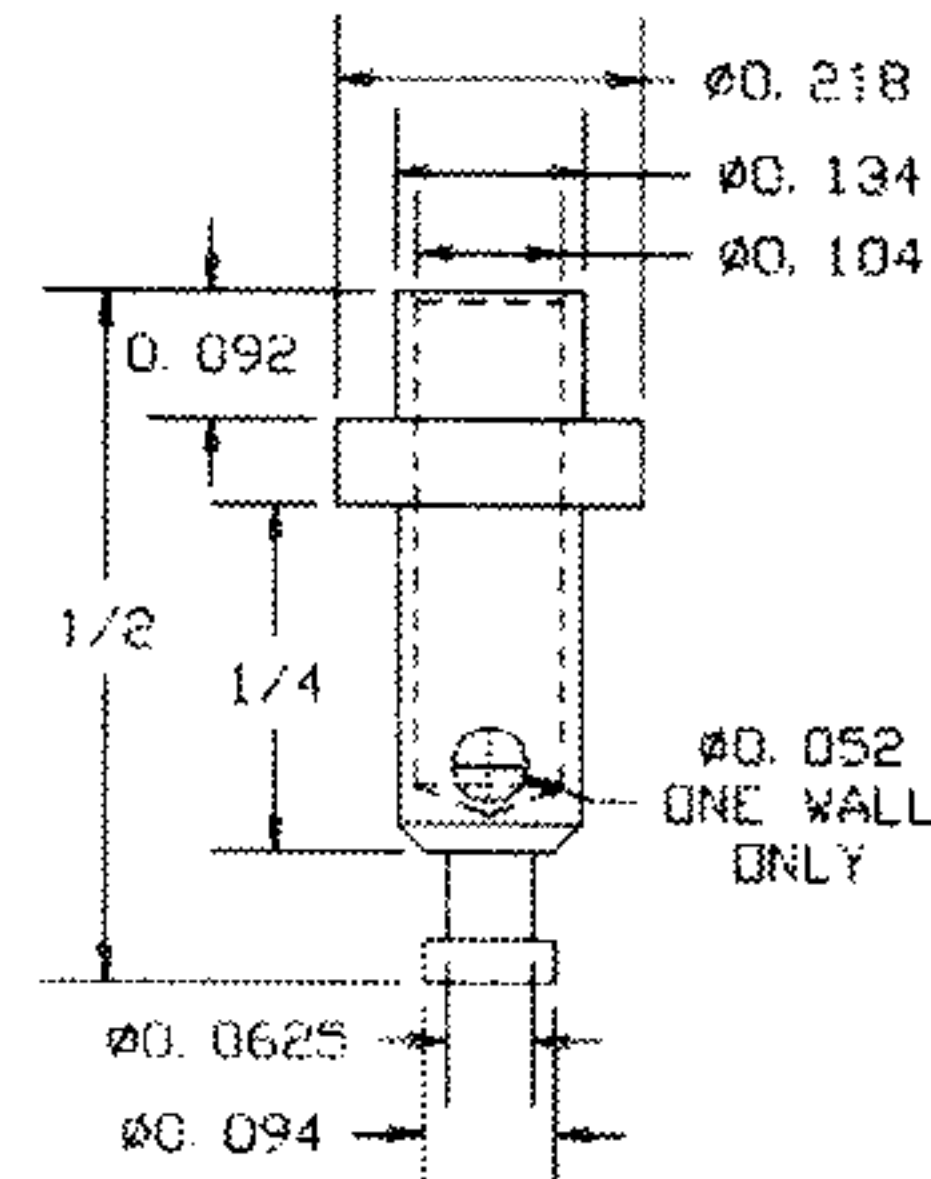
COMPONENT	MATERIAL	(044) FINISH
Contact	Brass	Bright-Tin
Insulation	Nylon	-
Nut	Brass	Nickel

## 01-2510-1-044 BANANA JACK MINIATURE

RATED FOR 15 AMPERES  
CONTINUOUS DUTY



Accepts miniature banana plug. Body is bright tin plated brass and is heat treated to facilitate swaging.

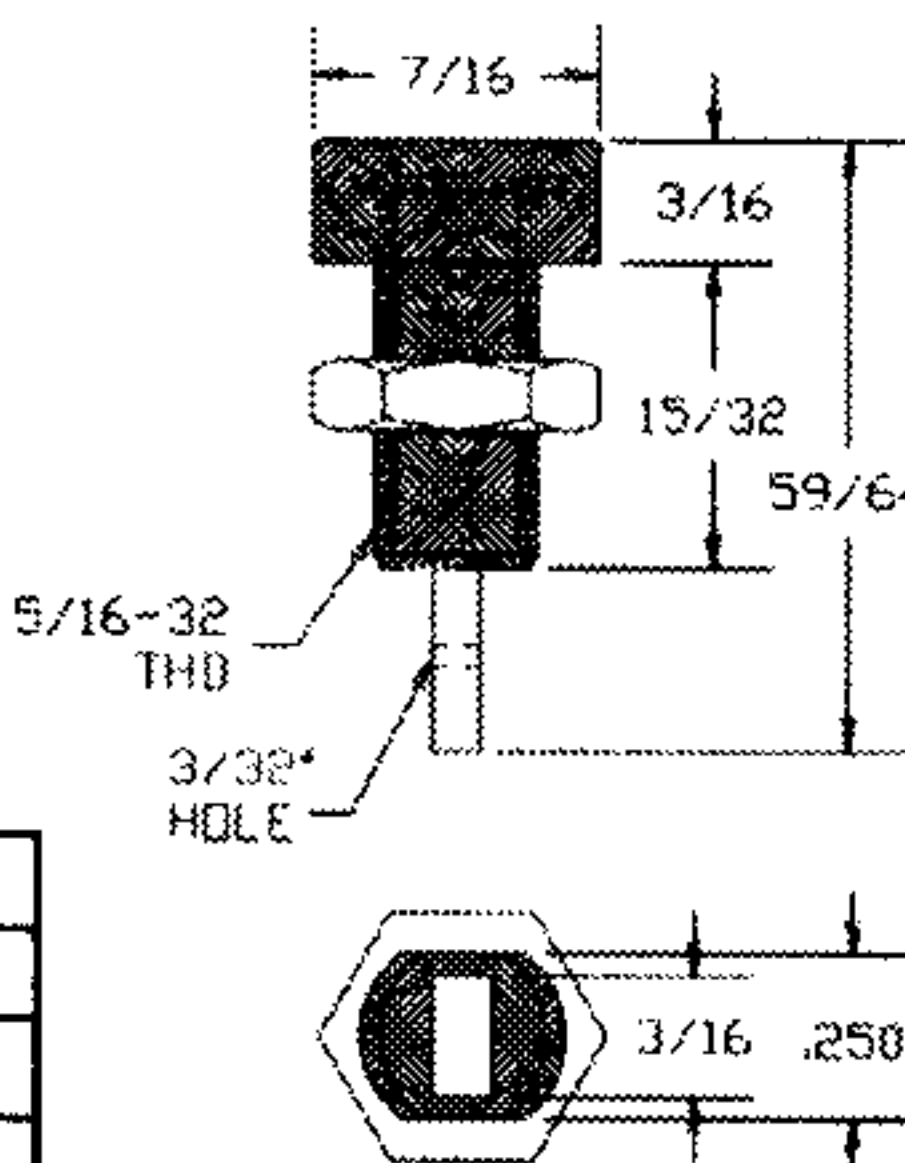


## 09-9126-1-044XX BANANA PANEL JACK FINISH COLOR INSULATED

RATED FOR 15 AMPERES  
CONTINUOUS DUTY



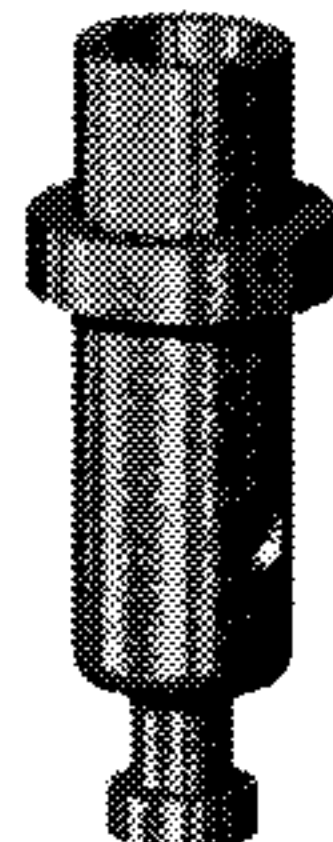
Accepts standard banana plugs.  
Mounts in 5/16" round or double "D" hole in panel up to 5/16" thick. Available in colors (see color chart at bottom of page).



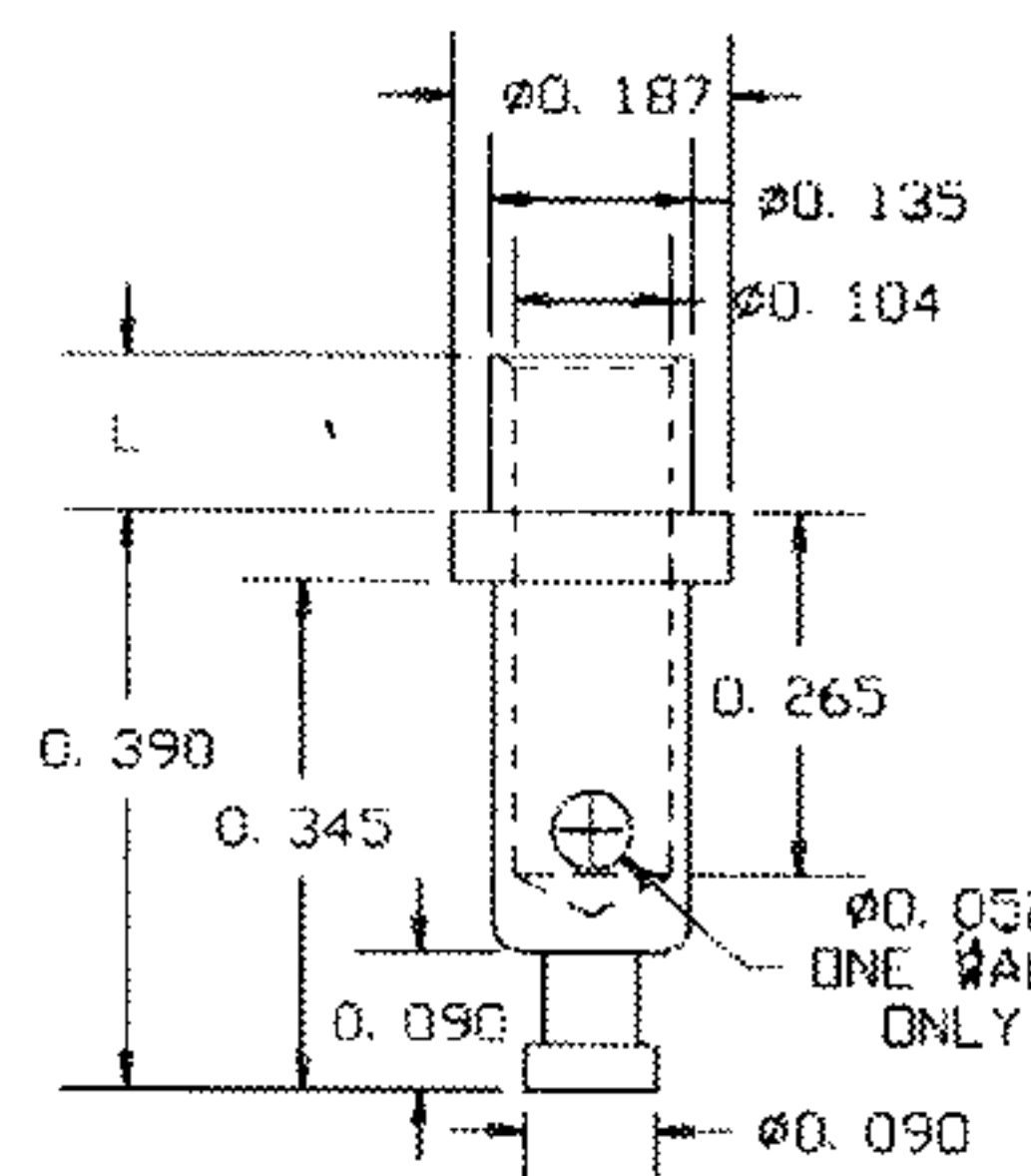
COMPONENT	MATERIAL	(044) FINISH
Contact	Brass	Bright-Tin
Insulation	Nylon	-
Nut	Brass	Nickel

## 01-2515-X-044 BANANA JACK

RATED FOR 15 AMPERES  
CONTINUOUS DUTY



Accepts miniature banana plugs.  
Body is bright tin plated brass and is heat treated to facilitate swaging.



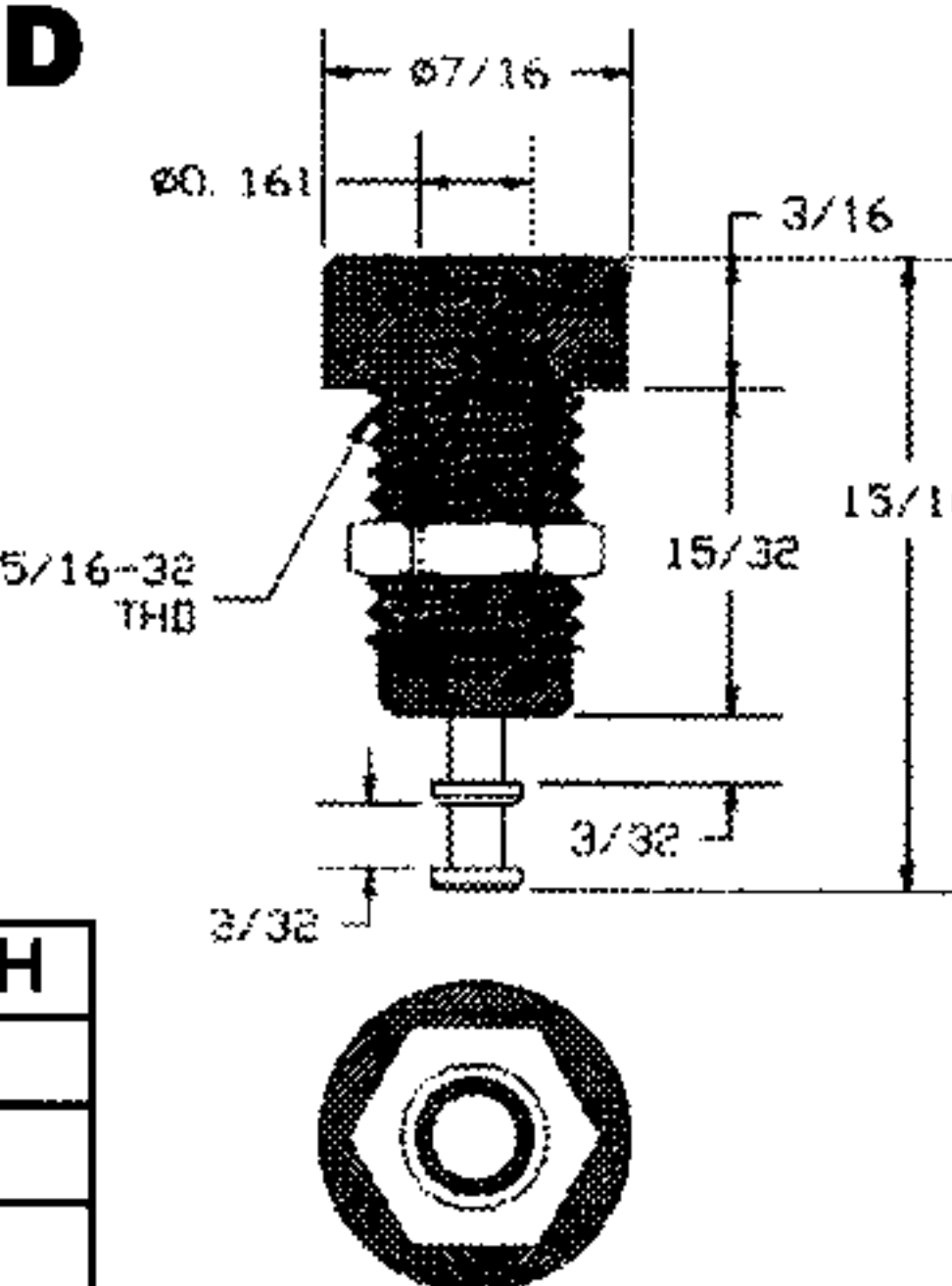
Part no.	L	Panel
01-2515-2	.105	1/16
01-2515-3	.135	3/32
01-2515-4	.165	1/8

## 09-9135-1-044XX BANANA PANEL JACK FINISH COLOR INSULATED

RATED FOR 15 AMPERES  
CONTINUOUS DUTY



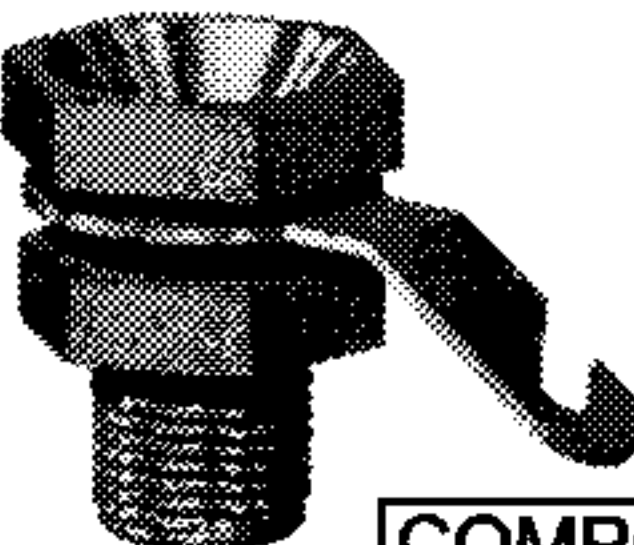
Accepts standard banana plugs.  
Mounts in 5/16" round hole in panel up to 5/16" thick. Available in colors (see color chart at bottom of page).



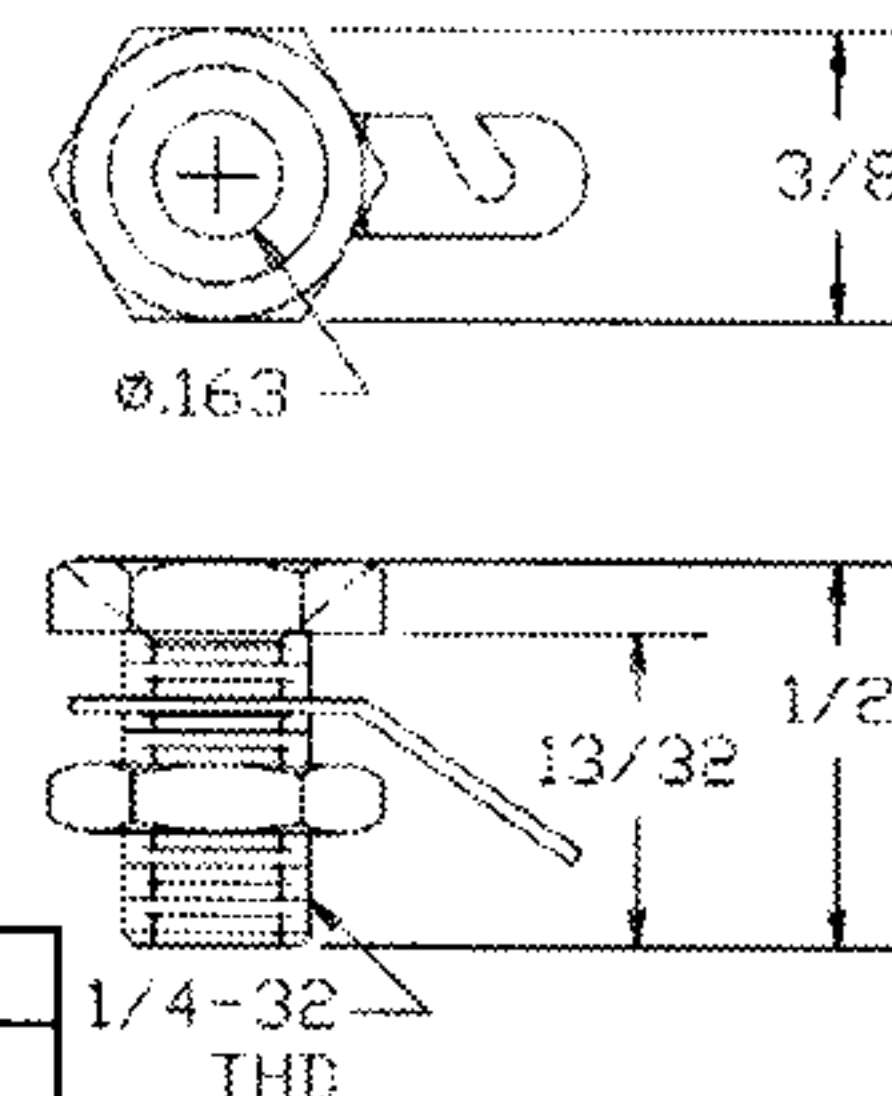
COMPONENT	MATERIAL	(044) FINISH
Contact	Brass	Bright-Tin
Insulation	Nylon	-
Nut	Brass	Nickel

## 01-2540-1-02 BANANA JACK

RATED FOR 15 AMPERES  
CONTINUOUS DUTY



Accepts standard banana plugs.  
Fits in 1/4" mounting hole.  
Accommodates panel up to 5/16" thick.



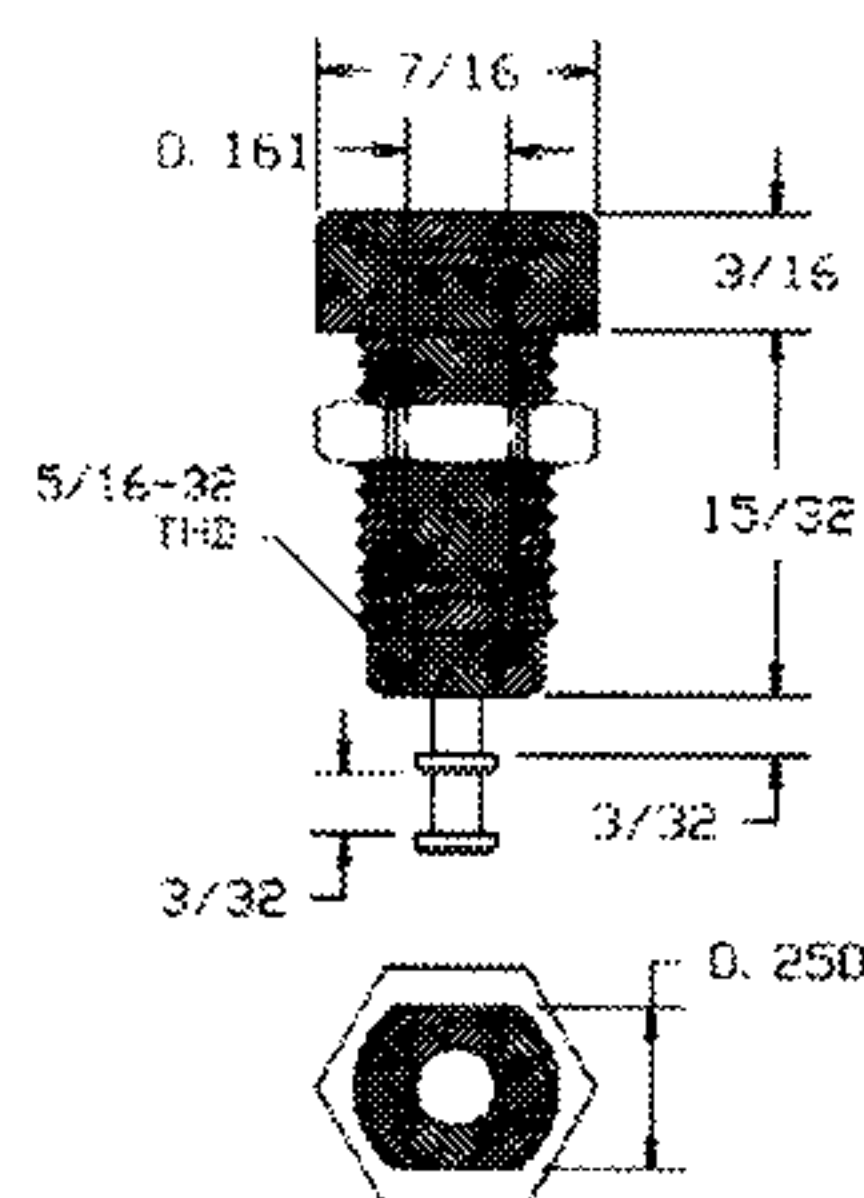
COMPONENT	MATERIAL	(02) FINISH
Body	Brass	Nickel
Lug	Brass	Electro-Tin
Nut	Brass	Nickel

## 09-9136-1-044XX BANANA PANEL JACK FINISH COLOR INSULATED

RATED FOR 15 AMPERES  
CONTINUOUS DUTY



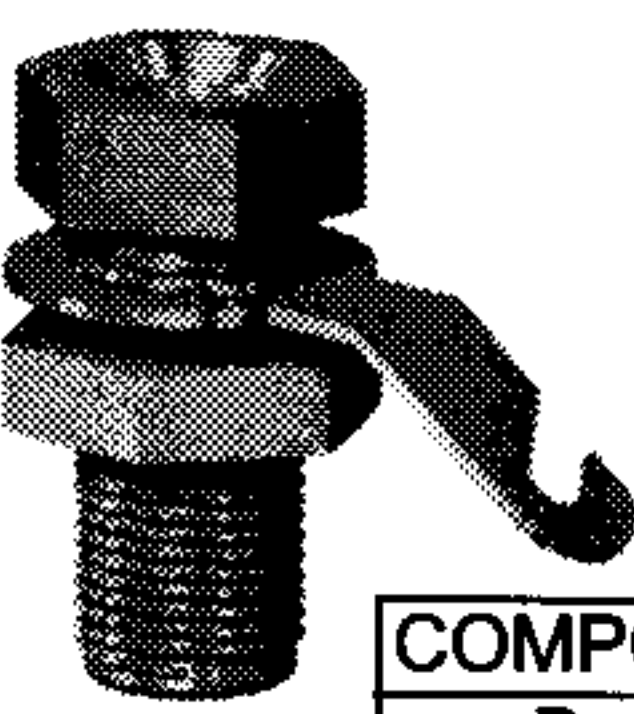
Accepts standard banana plugs.  
Mounts in 5/16" round or double "D" hole in panel up to 5/16" thick. Available in colors (see color chart at bottom of page).



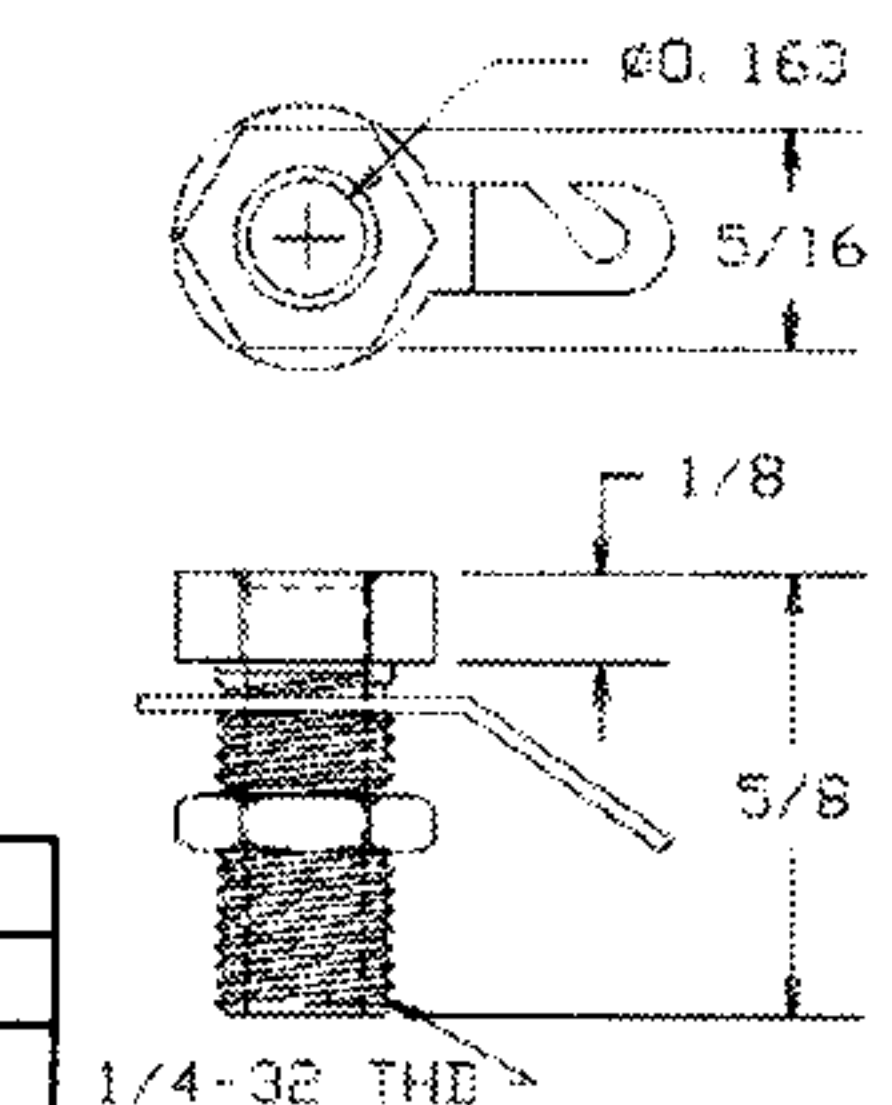
COMPONENT	MATERIAL	(044) FINISH
Contact	Brass	Bright-Tin
Insulation	Nylon	-
Nut	Brass	Nickel

## 01-2542-1-02 BANANA JACK

RATED FOR 15 AMPERES  
CONTINUOUS DUTY



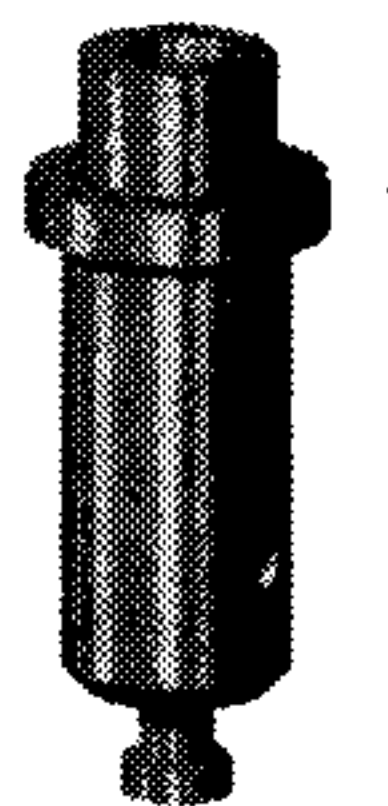
Accepts standard banana plugs.  
Fits in 1/4" mounting hole.  
Accommodates panel up to 3/8" thick.



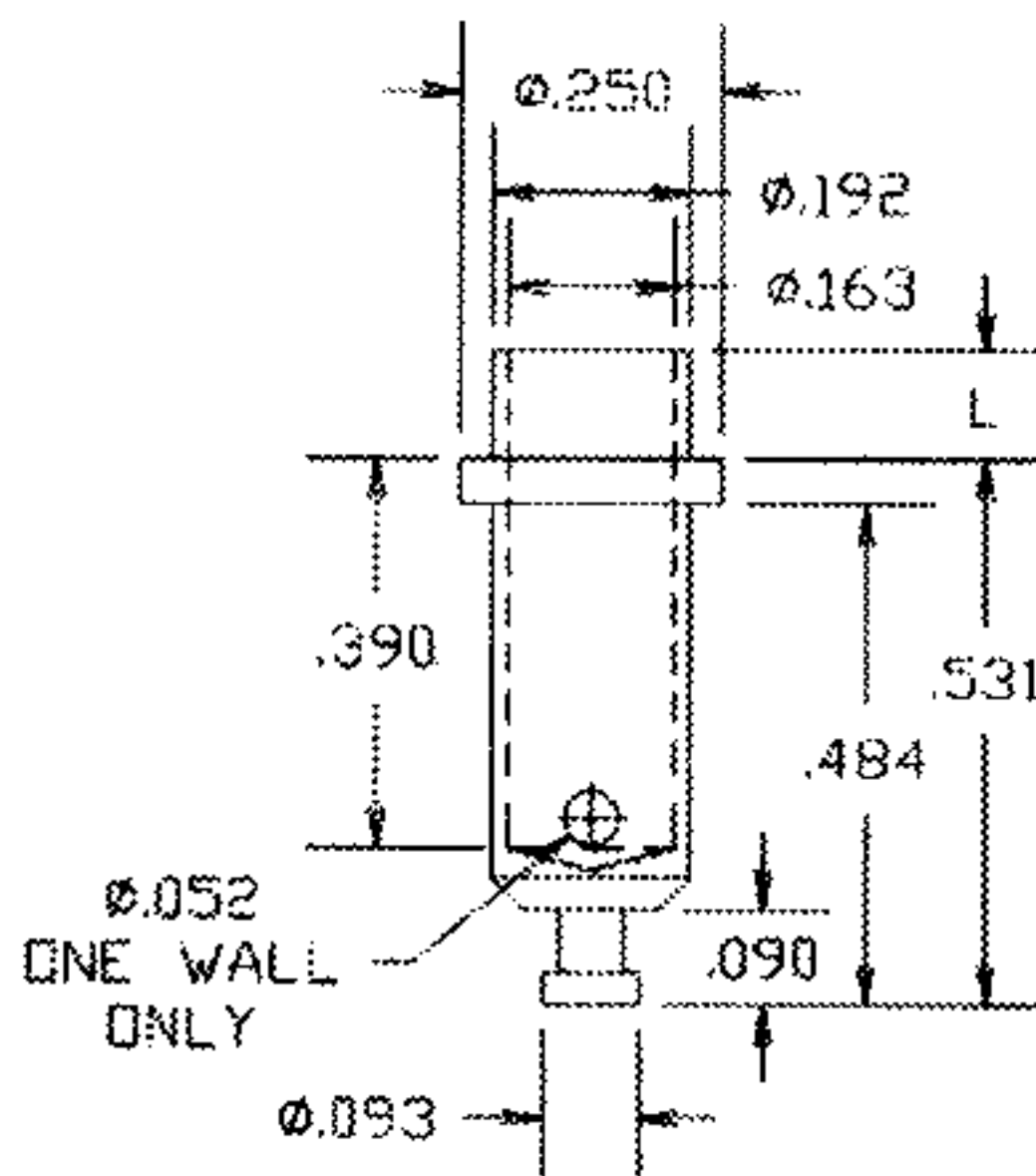
COMPONENT	MATERIAL	(02) FINISH
Body	Brass	Nickel
Lug	Brass	Electro-Tin
Nut	Brass	Nickel

## 01-2520-X-044 BANANA JACK - SWAGE MOUNT

RATED FOR 15 AMPERES  
CONTINUOUS DUTY



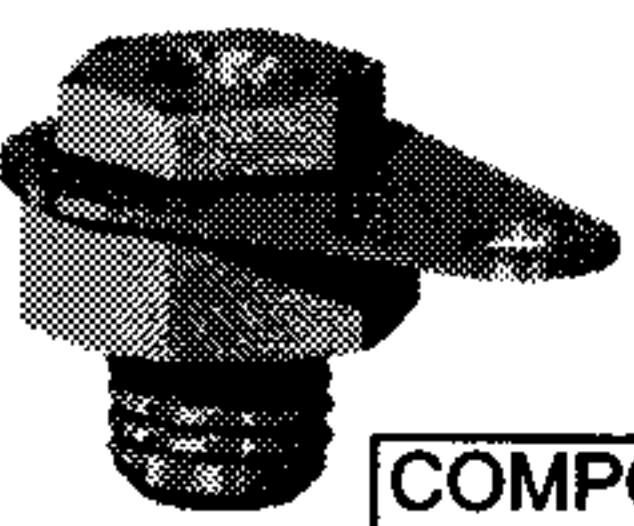
Accepts standard banana plugs.  
Body is bright tin plated brass and is heat treated to facilitate swaging.



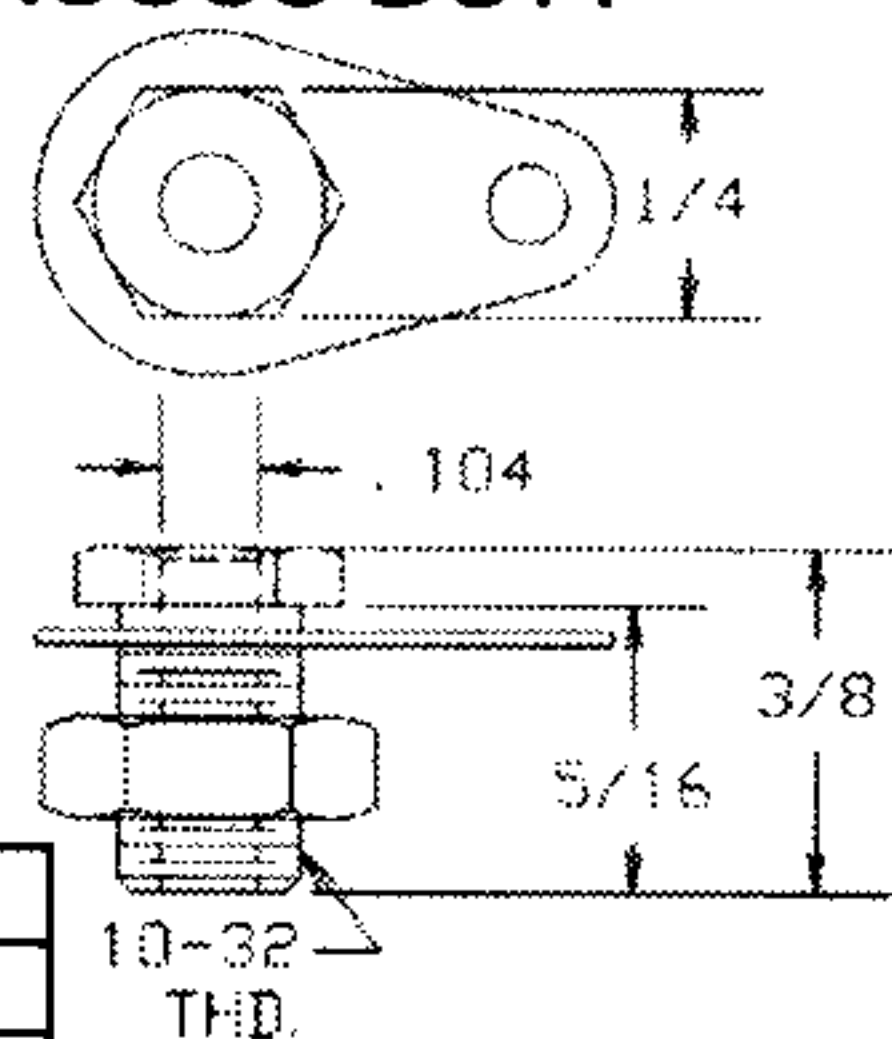
Part no.	L	Panel
01-2520-2	.105	1/16
01-2520-3	.135	3/32
01-2520-4	.165	1/8

## 01-2405-1-02 BANANA JACK - MINIATURE

RATED FOR 15 AMPERES CONTINUOUS DUTY



Accepts miniature banana plugs.  
Fits in .196" mounting hole.  
Accommodates panel up to 1/8" thickness.



COMPONENT	MATERIAL	(02) FINISH
Body	Brass	Nickel
Lug	Brass	Electro-Tin
Nut	Brass	Nickel

FOR ADDITIONAL SIZES AND MATERIALS, CONTACT FACTORY

BLK	BRN	RED	ORN	YEL	GRN	BLU	PUR	GRY	WHT
10	11	12	13	14	15	16	17	18	19

800-847-4162 (Outside N.Y.S.)  
Ph: 212-777-6571 Fax: 212-991-0161  
sales@concord-electronics.com  
engineering@concord-electronics.com

