

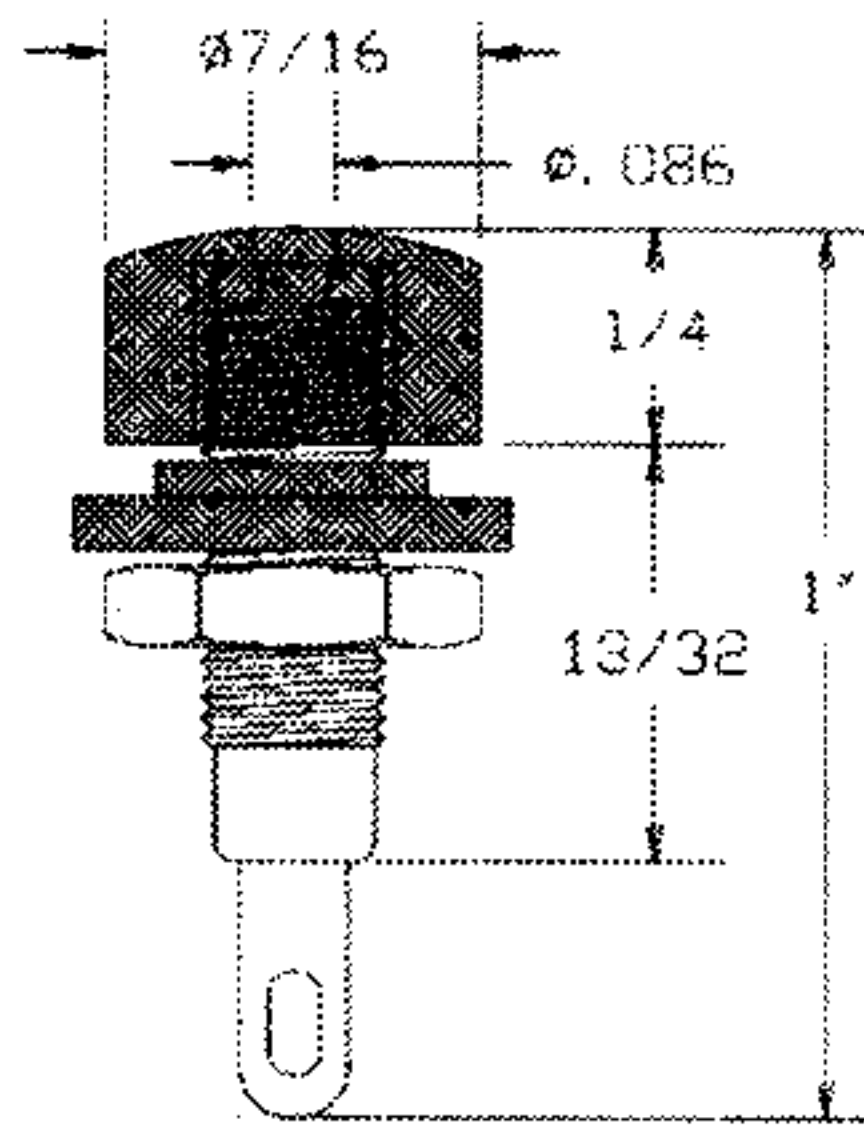
# BANANA JACK

## 09-9124-1-0210 (BLK) PHONE TIP JACK 09-9124-1-0212 (RED) INSULATED

ACCEPTS .080 DIA. PROBE



7/16" dia. molded nylon head in choice of colors (red or black), Nickel plated brass body. Phosphor bronze spring assures good contact. Mounts in 5/16" hole in panel up to 3/8" thick. Supplied with hex nut and fiber washer.

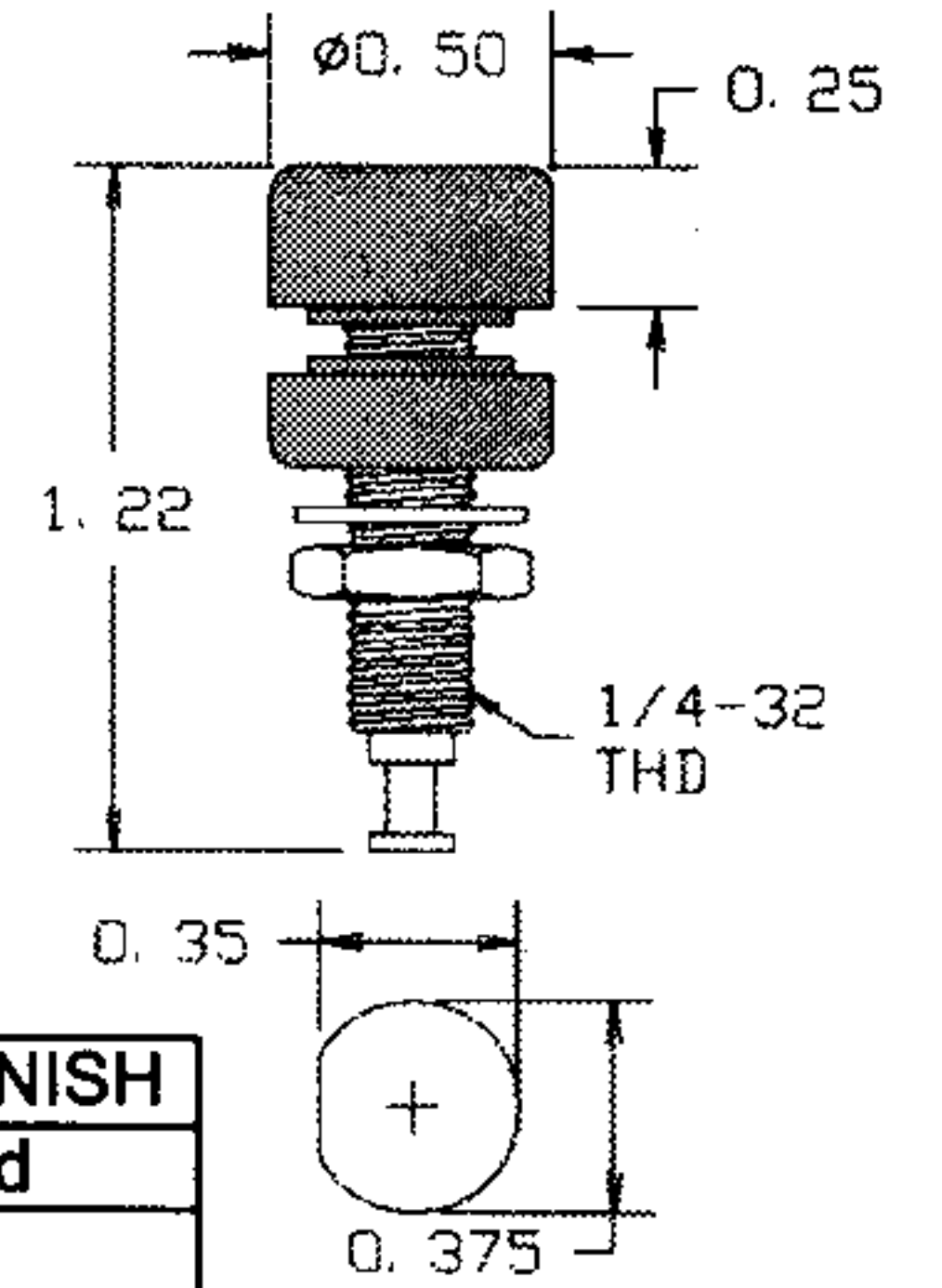


## 25-9231-1-03XX BANANA PANEL JACK 25-9231-1-044XX INSULATED

FINISH COLOR

15 AMPS CAPACITY  
2500 WVDC MAX.  
115°C MAX.

Closed entry jack .166 Dia. x .920 deep. Mounts in panels from .063 to .375 thick. Nickel plated lockwasher and 1/4-32 hex. nut. Available in colors (see color chart).



COMPONENT	MATERIAL	(044) FINISH	(03) FINISH
Contact	Brass	Bright Tin	Gold
Insulation	Polycarbonate	-	-
Nut	Brass	Nickel	Nickel

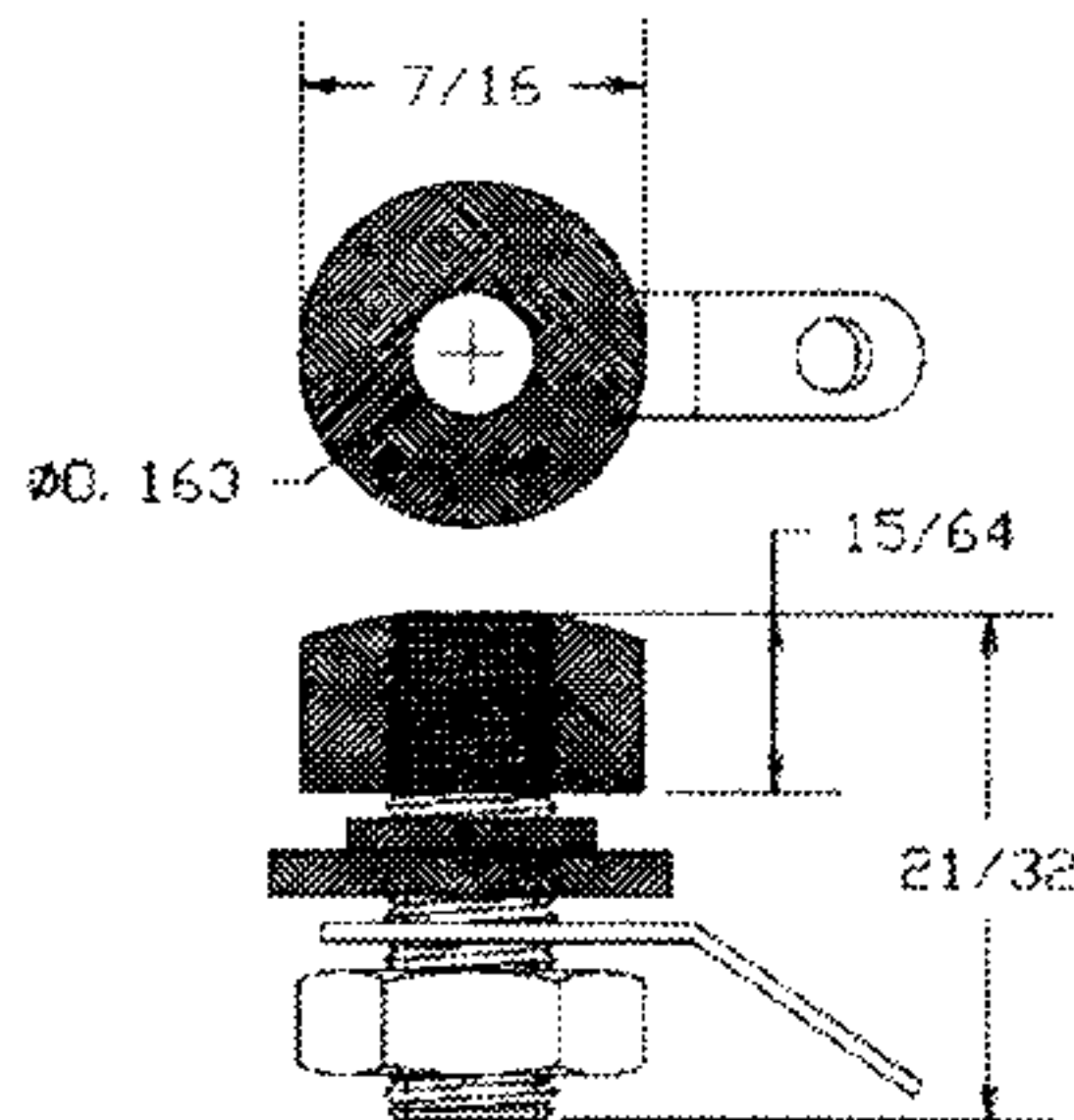
## 09-9127-1-0210 (BLK) 09-9127-1-0212 (RED)

## BANANA JACK INSULATED

ACCEPTS STANDARD BANANA PLUG



Nickel plated brass body mounts in any panel up to 3/8" thick in 5/16" hole. Supplied with hex nut, insulated washer and brass solder lug. Available in red and black.

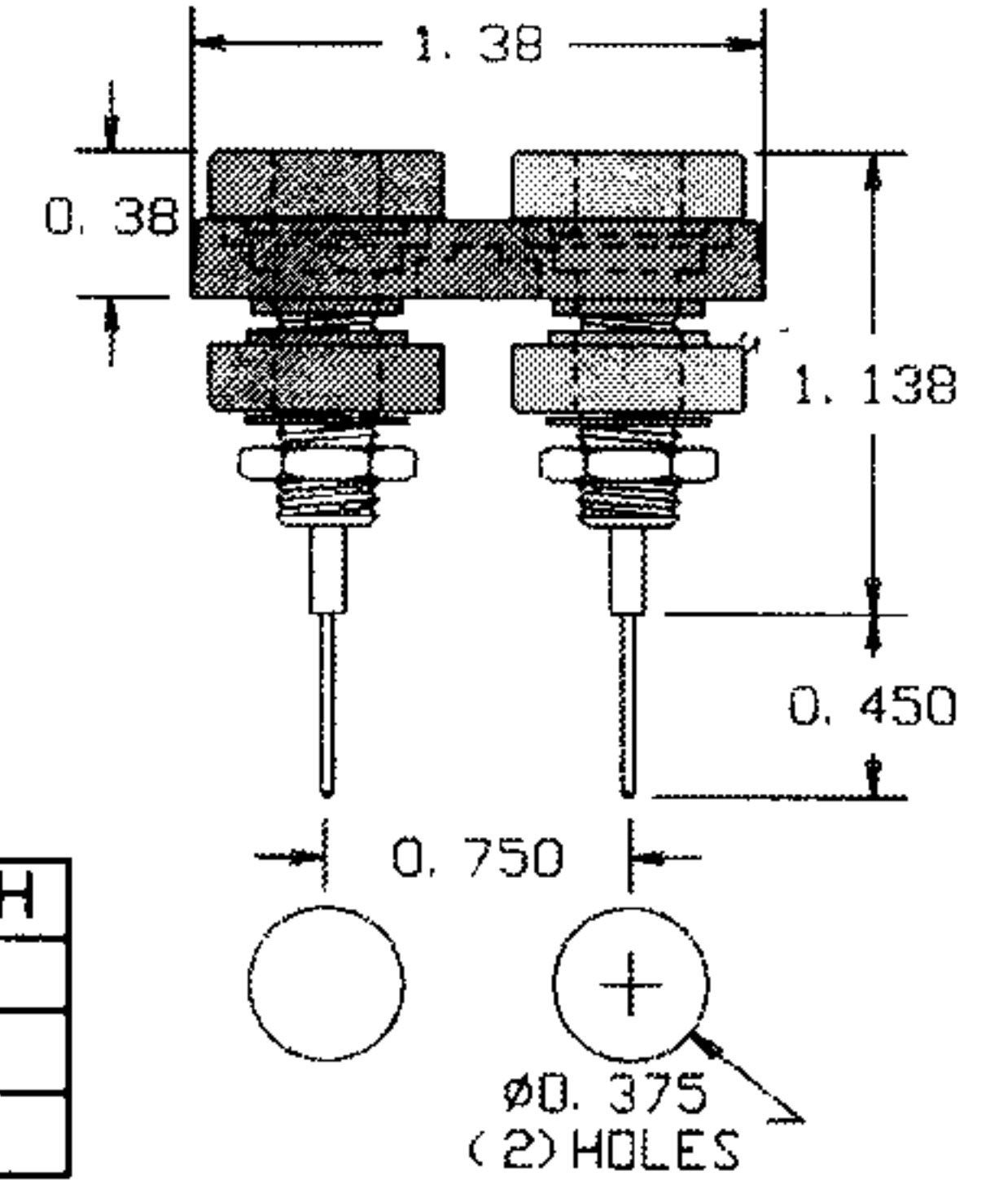


## 25-9236-1-03XX DOUBLE BANANA JACK WITH WRAPPED WIRE TERMINAL

FINISH COLOR

15 AMPS CAPACITY  
2500 WVDC MAX.  
115°C MAX.

Closed entry receptacle .166 Dia. x .920 deep on .750 centers. Mounts in panels from .063 to .375 thick. Nickel plated lockwasher and 1/4-32 hex. nut. One black and one red jack. Choice of black or red mounting base.

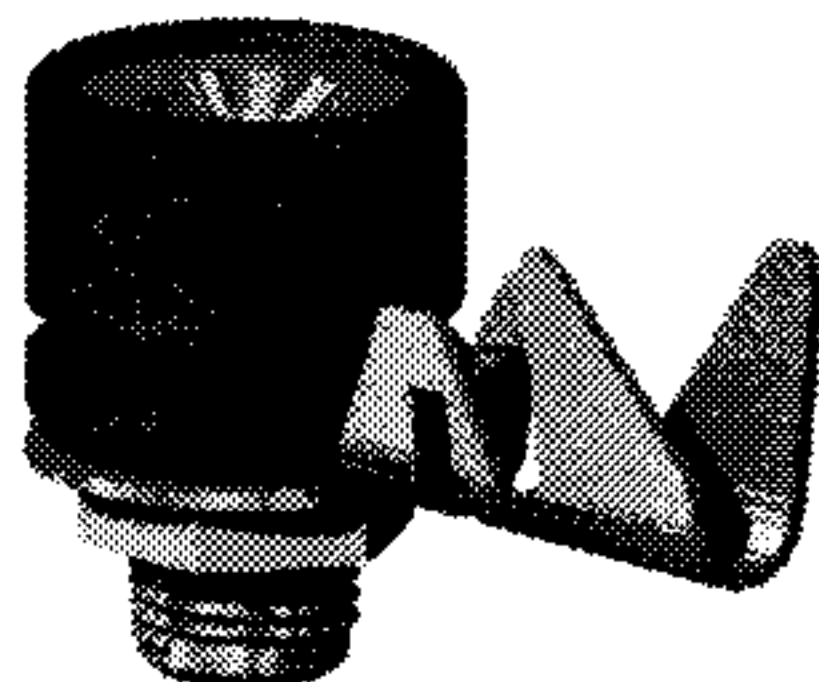


COMPONENT	MATERIAL	(03) FINISH
Sq. Wr. Term.	Brass	Gold
Insulation	Polycarbonate	-
Jack body	Brass	Nickel

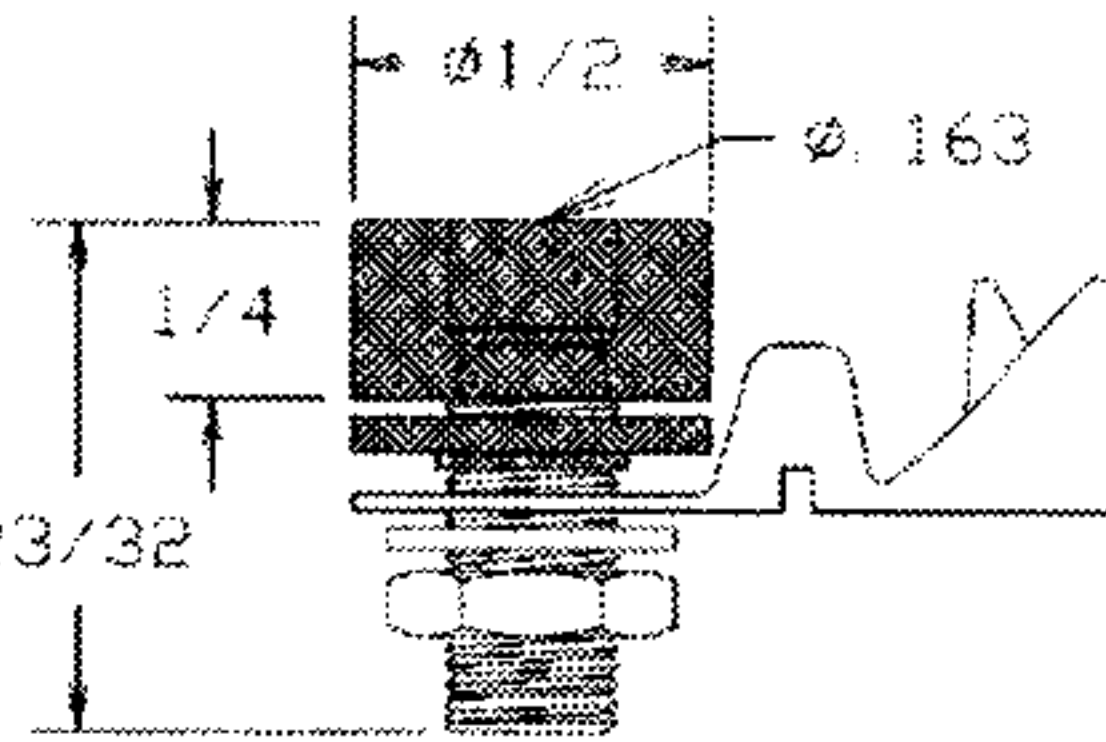
## 09-9128-1-0210 (BLK) 09-9128-1-0212 (RED)

## BANANA JACK INSULATED

ACCEPTS STANDARD BANANA PLUG



Nickel plated brass body mounts in any panel up to 3/8" thick in 5/16" hole. Supplied with hex nut, insulated washer and brass solder lug. Molded head. Available in red and black.

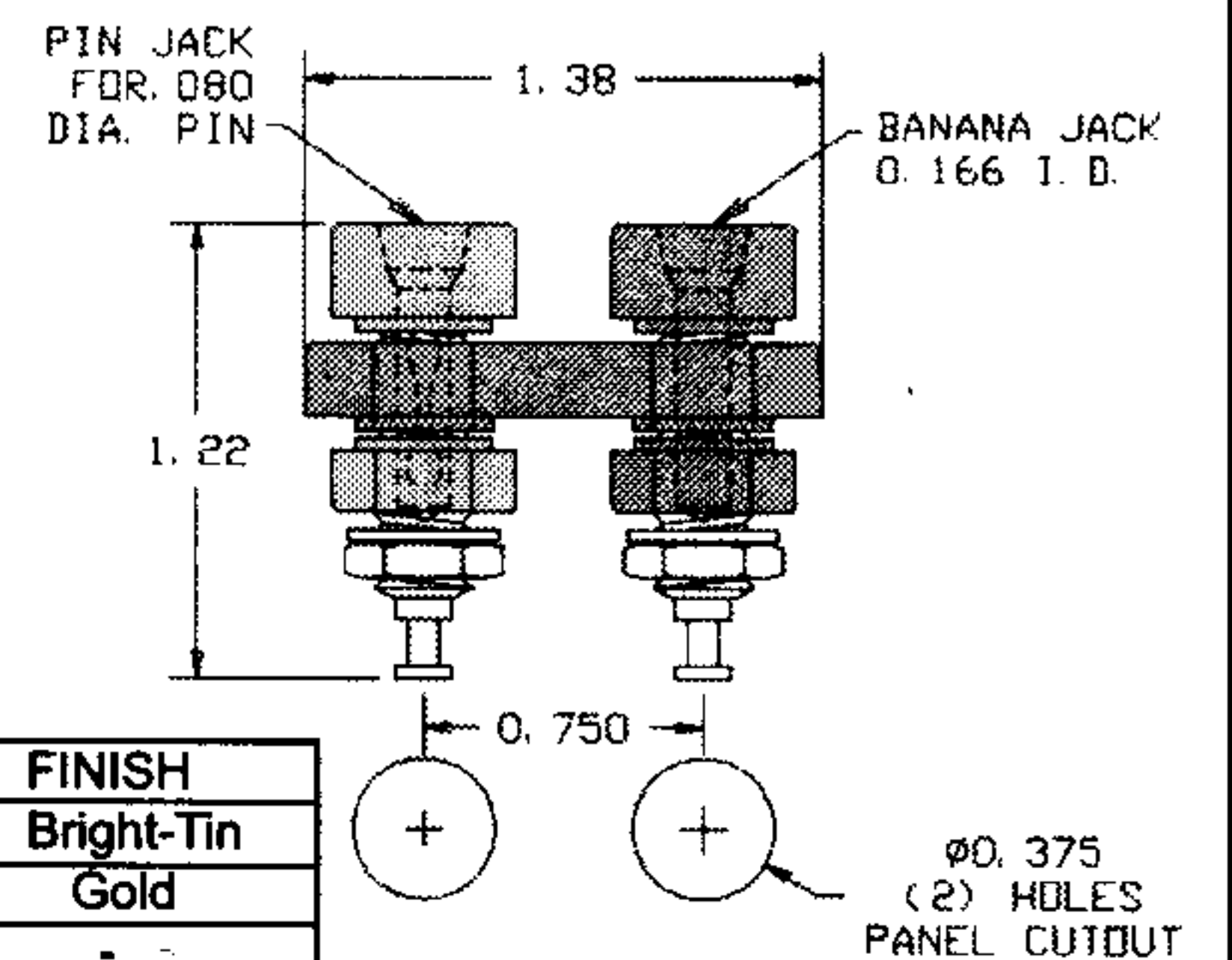


## 25-9234-1-044XX POLARIZED DOUBLE JACK

FINISH COLOR OF MTG. BASE

5 AMPS CAPACITY  
2500 WVDC MAX.  
115°C MAX.

One side is a black pin jack for .080 dia. pin and the other is red banana jack .166 I.D. Mounts in panel .063 to .375 thick. Nickel plated 1/4-32 hex nut and lockwasher included. Available with black or red mounting base.

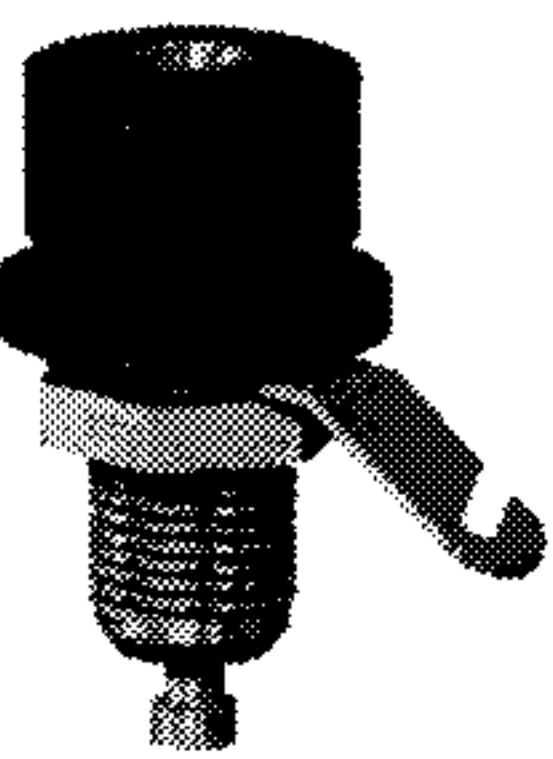


COMPONENTS	MATERIAL	FINISH
Jack body	Brass	Bright-Tin
Pin-Jack contact	Beryllium Copper	Gold
Insulation	Polycarbonate	-
Hex nut	Brass	Nickel
Lockwasher	Phosphor Bronze	Nickel

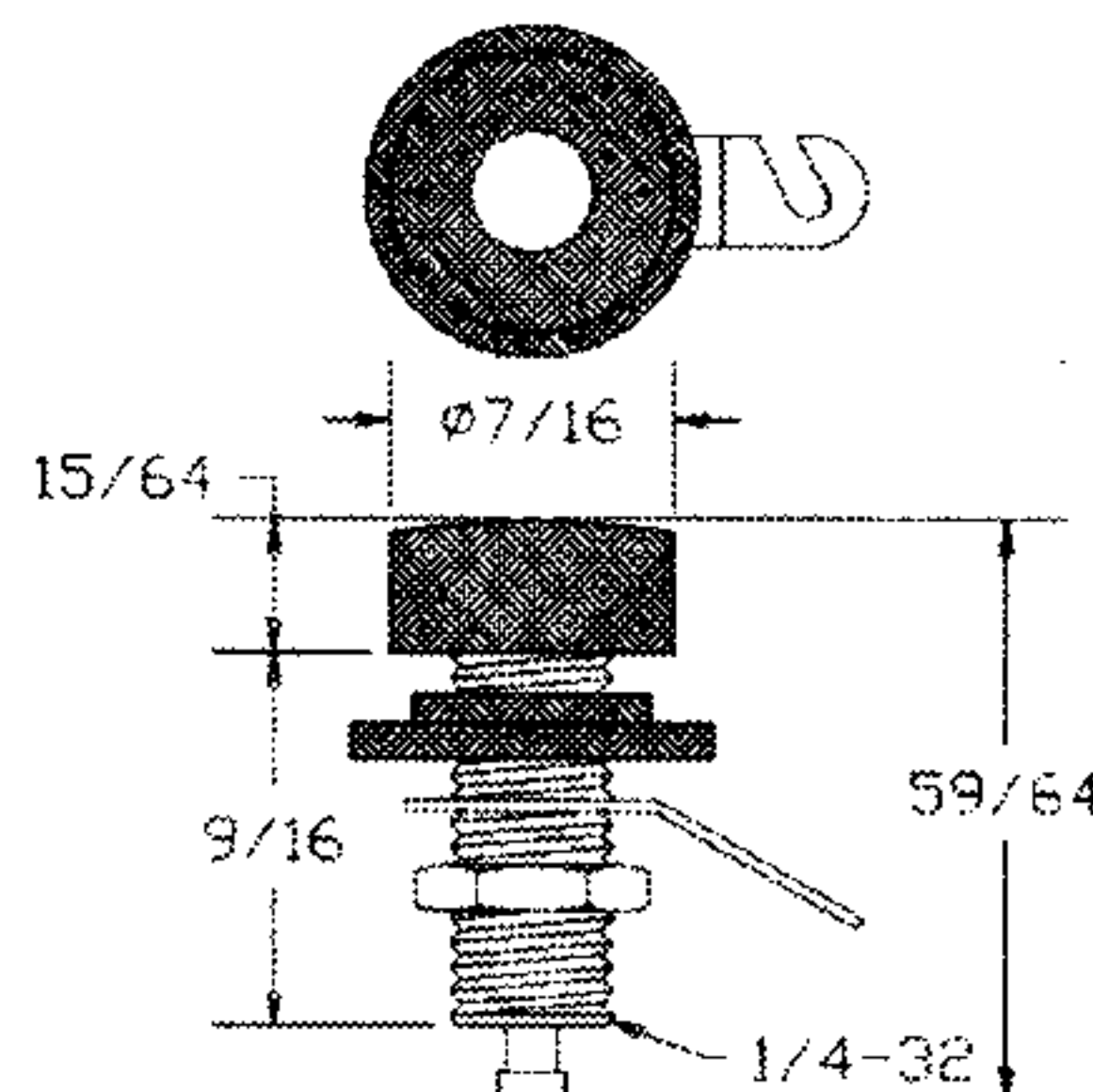
## 09-9129-1-0210 (BLK) 09-9129-1-0212 (RED)

## BANANA JACK INSULATED

ACCEPTS STANDARD BANANA PLUG



Insulated Banana Jack with wrap-around terminal. Nickel plated brass body. Molded Nylon head. Supplied with hex. nut, insulated washer and brass solder lug. Available in red and black.

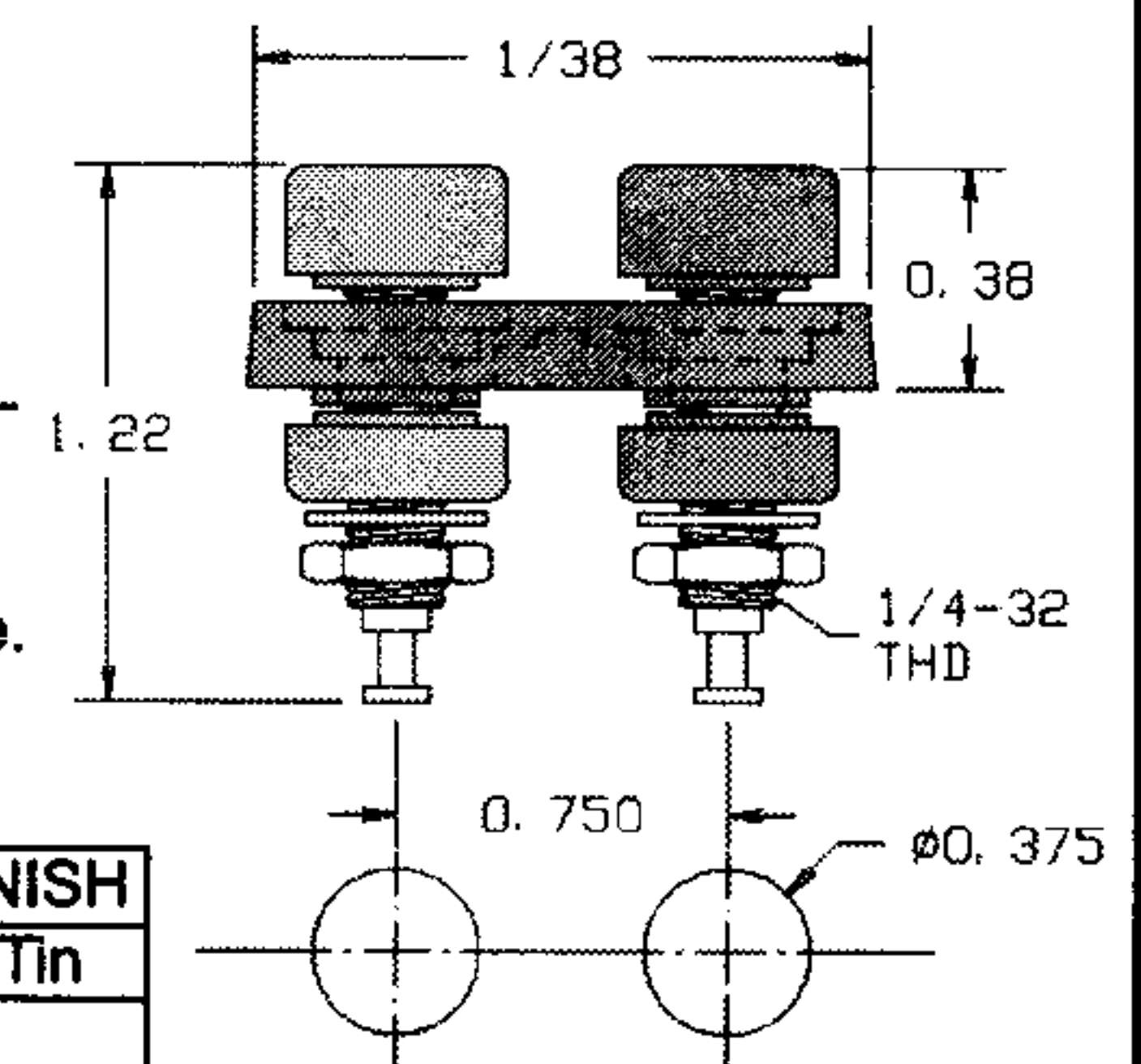


## 25-9233-1-044XX DOUBLE BANANA JACK

FINISH COLOR OF MTG. BASE

15 AMPS CAPACITY  
2500 WVDC MAX.  
115°C MAX.

Closed entry receptacle .166 Dia. x .920 deep on .750 centers. Mounts in panels from .063 to .375 thick. Nickel plated lockwasher and 1/4-32 hex. nut. Model has one black and one red jack. Available with black or red mounting base.



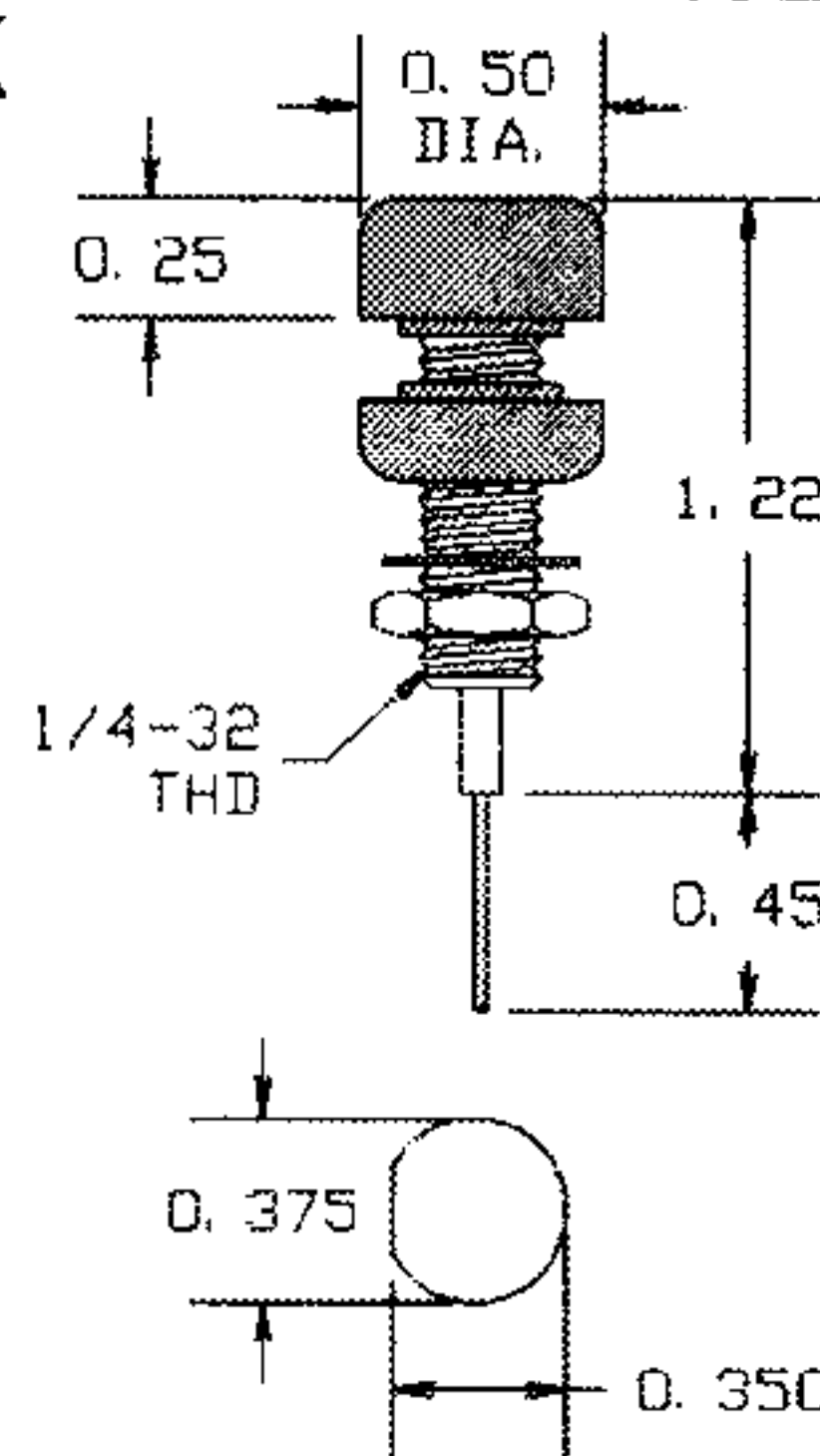
COMPONENT	MATERIAL	(044) FINISH
Contact	Brass	Bright Tin
Insulation	Polycarbonate	-
Nut	Brass	Nickel

## 25-9235-1-03XX BANANA JACK WITH WRAPPED TERMINAL

3 AMPS CAPACITY  
2500 WVDC MAX.  
115°C MAX.

Closed entry receptacle .166 Dia. x .920 deep. Mounts in panels from .063 to .375 thick. Nickel plated lockwasher and 1/4-32 hex. nut.

COMPONENT	MATERIAL	FINISH
Jack body	Brass	Nickel
Sq. Wrapped pin	Phosphor bronze	Gold
Insulation	Polycarbonate	-
Nut	Brass	Nickel



FOR ADDITIONAL SIZES AND MATERIALS, CONTACT FACTORY

BLK	BRN	RED	ORN	YEL	GRN	BLU	PUR	GRY	WHT
10	11	12	13	14	15	16	17	18	19

