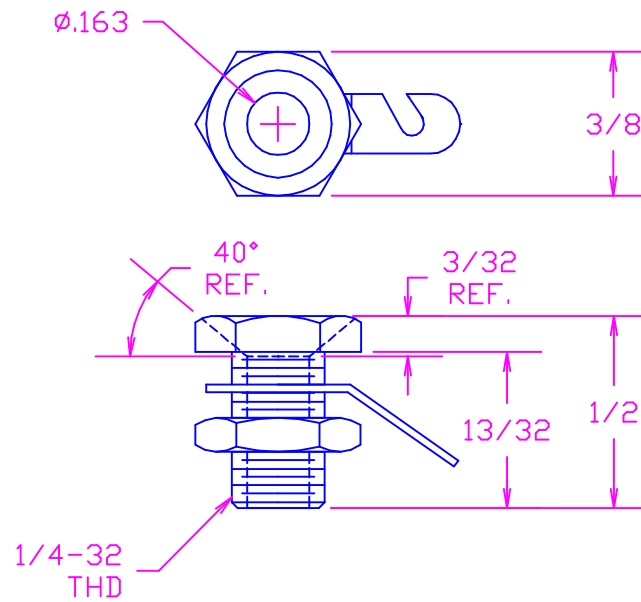
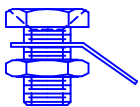


DATE	SYM	REVISION RECORD	AUTH.	DR.	CK.
5/20/96	-	ISSUED		NT	MM



MATERIAL: BODY- BRASS PER ASTM B16,
 ALLOY C 36000, 1/2 HARD
 LUG AND NUT- BRASS
 FINISH: BODY AND NUT- NICKEL PLATED
 LUG- ELECTRO-TIN

ACTUAL SIZE



TOLERANCES (EXCEPT AS NOTED)	CONCORD ELECTRONICS CORPORATION		
DECIMAL ± .010	P/N	SCALE	30 GREAT JONES ST. NEW YORK N.Y. 10012
FRACTIONAL ± 1/64	TITLE BANANA JACK		
ANGULAR ± 5°	DATE 5-20-96	DRAWING NUMBER 01-2540-1-02	