



FCconnect.com

Copyright FCJ

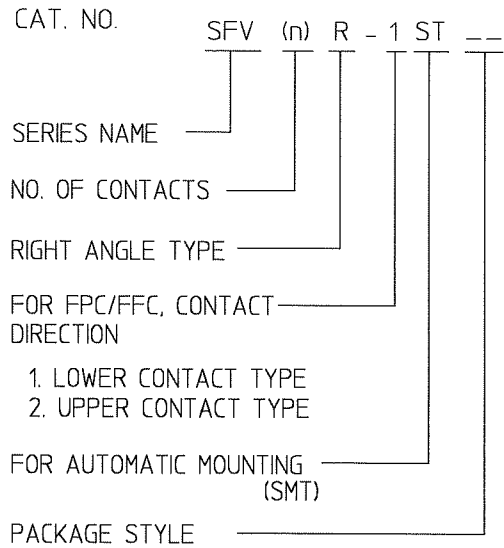
List of "SFV\_\_R-1/2STE1" customer document

| DOCUMENT NO. | LIST  |
|--------------|---|
| SC-SFV01     | SPEC.   |
| JSA92450     | CAT.NO.TABLE FOR 0.5mm CONTACT SPACING CONNECTOR (SFV__R-1/2ST_)                        |
| JSA92451     | CONNECTOR USED FOR FPC/FFC WITH 0.5mm CONTACT SPACING (SFV__R-1ST_)                     |
| JSA92452     | CONNECTOR USED FOR FPC/FFC WITH 0.5mm CONTACT SPACING (SFV__R-2ST_)                     |
| JSA92453     | CAT.NO.TABLE FOR PLASTIC TAPE PACKAGED 0.5mm CONTACT SPACING CONNECTOR (SFV__R-1/2STE1) |
| JSA92454     | PLASTIC TAPE PACKAGED 0.5mm CONTACT SPACING CONNECTOR (SFV__R-1STE1)                    |
| JSA92455     | PLASTIC TAPE PACKAGED 0.5mm CONTACT SPACING CONNECTOR (SFV__R-2STE1)                    |
| JSA92456     | RECOMMENDED CABLE (FPC) (SFV__R-1/2ST_)   |
| JSA92457     | RECOMMENDED CABLE (FFC) (SFV__R-1/2ST_)   |
| BJM-SFV101   | HANDLING PROCEDURES   |

|             |                |     |         |  |  |                            |  |            |  |   |        |        |
|-------------|----------------|-----|---------|--|--|----------------------------|--|------------|--|---|--------|--------|
| mat'l. code |                |     |         | surface ISO 1302 <input checked="" type="checkbox"/> |  | tolerance ISO 406 ISO 1101 |  | projection |  | product family 58EF   |        |        |
| ltr         | ecn no         | dr  | date    | tolerances unless otherwise specified                |  |                            |  |            |  | title<br>0.5mm SPACING FPC/FFC CONNECTOR DOCUMENT LIST<br>(Cat. No. : SFV__R-1/2STE1) |        |        |
| A           | J03-0196       | H.T | '03/5/1 | angles linear  |  |                            |  |            |  |   |        |        |
| B           | J06-0372       | H.T | '06/9/7 |  |  |                            |  |            |  | dwg no sheet 1 of 1 size  |        |        |
|             |                |     |         | dr <i>H. Johnson</i> 9/7/06                          |  |                            |  |            |  | JSA 95808   |        | A4     |
|             |                |     |         | engr <i>H. Johnson</i> 9/7/06                        |  |                            |  |            |  | type Product Customer Drawing   |        |        |
|             |                |     |         | chr <i>R. Shouji</i> 9/8/06                          |  |                            |  |            |  |   |        |        |
|             |                |     |         | appd <i>S. O'donovan</i> 9/11/06                     |  |                            |  |            |  |   | Rev. B |        |
| sheet index | revision sheet | B   | 1       |  |  |                            |  |            |  |   |        | Rev. B |

CAT. NO. & DIMENSIONS

| NO. OF CONTACTS (n) | CAT. NO.       | DIMENSIONS (NOTE2) |         |         |         |
|---------------------|----------------|--------------------|---------|---------|---------|
|                     |                | A ± 0.2            | B ± 0.2 | C ± 0.1 | D ± 0.1 |
| 4                   | SFV4R-1/2ST__  | 7.5                | 5.9     | 15      | 2.7     |
| 5                   | SFV5R-1/2ST__  | 8.0                | 6.4     | 2.0     | 3.2     |
| 6                   | SFV6R-1/2ST__  | 8.5                | 6.9     | 2.5     | 3.7     |
| 7                   | SFV7R-1/2ST__  | 9.0                | 7.4     | 3.0     | 4.2     |
| 8                   | SFV8R-1/2ST__  | 9.5                | 7.9     | 3.5     | 4.7     |
| 9                   | SFV9R-1/2ST__  | 10.0               | 8.4     | 4.0     | 5.2     |
| 10                  | SFV10R-1/2ST__ | 10.5               | 8.9     | 4.5     | 5.7     |
| 11                  | SFV11R-1/2ST__ | 11.0               | 9.4     | 5.0     | 6.2     |
| 12                  | SFV12R-1/2ST__ | 11.5               | 9.9     | 5.5     | 6.7     |
| 13                  | SFV13R-1/2ST__ | 12.0               | 10.4    | 6.0     | 7.2     |
| 14                  | SFV14R-1/2ST__ | 12.5               | 10.9    | 6.5     | 7.7     |
| 15                  | SFV15R-1/2ST__ | 13.0               | 11.4    | 7.0     | 8.2     |
| 16                  | SFV16R-1/2ST__ | 13.5               | 11.9    | 7.5     | 8.7     |
| 17                  | SFV17R-1/2ST__ | 14.0               | 12.4    | 8.0     | 9.2     |
| 18                  | SFV18R-1/2ST__ | 14.5               | 12.9    | 8.5     | 9.7     |
| 19                  | SFV19R-1/2ST__ | 15.0               | 13.4    | 9.0     | 10.2    |
| 20                  | SFV20R-1/2ST__ | 15.5               | 13.9    | 9.5     | 10.7    |
| 21                  | SFV21R-1/2ST__ | 16.0               | 14.4    | 10.0    | 11.2    |
| 22                  | SFV22R-1/2ST__ | 16.5               | 14.9    | 10.5    | 11.7    |
| 23                  | SFV23R-1/2ST__ | 17.0               | 15.4    | 11.0    | 12.2    |
| 24                  | SFV24R-1/2ST__ | 17.5               | 15.9    | 11.5    | 12.7    |
| 25                  | SFV25R-1/2ST__ | 18.0               | 16.4    | 12.0    | 13.2    |
| 26                  | SFV26R-1/2ST__ | 18.5               | 16.9    | 12.5    | 13.7    |
| 27                  | SFV27R-1/2ST__ | 19.0               | 17.4    | 13.0    | 14.2    |
| 28                  | SFV28R-1/2ST__ | 19.5               | 17.9    | 13.5    | 14.7    |
| 29                  | SFV29R-1/2ST__ | 20.0               | 18.4    | 14.0    | 15.2    |
| 30                  | SFV30R-1/2ST__ | 20.5               | 18.9    | 14.5    | 15.7    |
| 31                  | SFV31R-1/2ST__ | 21.0               | 19.4    | 15.0    | 16.2    |
| 32                  | SFV32R-1/2ST__ | 21.5               | 19.9    | 15.5    | 16.7    |
| 33                  | SFV33R-1/2ST__ | 22.0               | 20.4    | 16.0    | 17.2    |
| 34                  | SFV34R-1/2ST__ | 22.5               | 20.9    | 16.5    | 17.7    |
| 35                  | SFV35R-1/2ST__ | 23.0               | 21.4    | 17.0    | 18.2    |



- 1. LOWER CONTACT TYPE
- 2. UPPER CONTACT TYPE

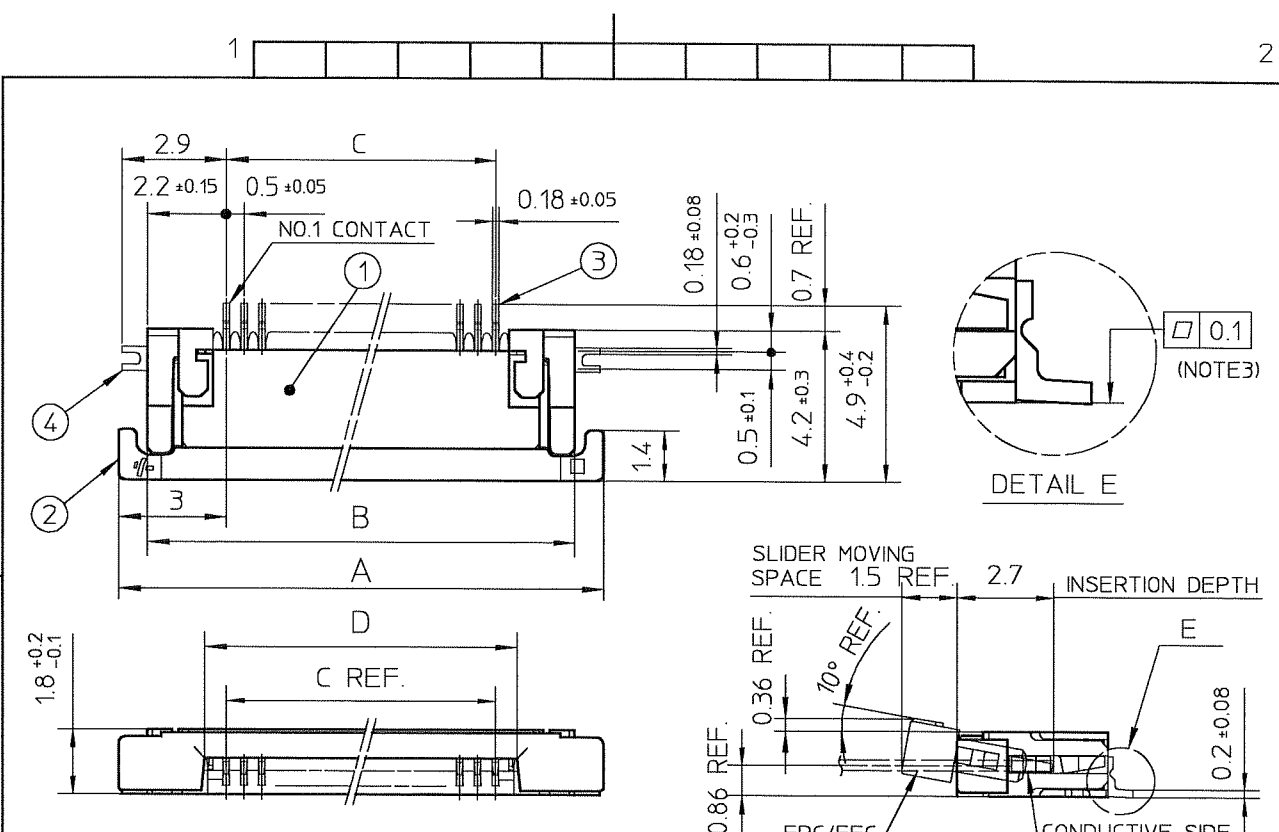
NOTES

- 1. THIS PRODUCT IS THE CONNECTOR USED FOR FPC/FFC AND COPES WITH AUTOMATIC MOUNTING (SMT).
- 2. SEE PART DRAWINGS FOR DIMENSIONS A-D.



Copyright FCI

|             |                |     |          |  |                         |                            |  |            |                               |   |  |  |  |
|-------------|----------------|-----|----------|--|-------------------------|----------------------------|--|------------|-------------------------------|---|--|--|--|
| mat'l. code |                |     |          | surface ISO 1302 <input checked="" type="checkbox"/> |                         | tolerance ISO 406 ISO 1101 |  | projection |                               | product family 58EF   |  |  |  |
| ltr         | ecn no         | dr  | date     | tolerances unless otherwise specified                |                         |                            |  |            |                               | title   |  |  |  |
| 1           | —              | S.I | '93/9/9  | angles   |                         | linear                     |  | scale X    |                               | CAT. NO. TABLE FOR 0.5 mm CONTACT SPACING CONNECTOR (Cat. No. : SFV__R-1/2ST__) |  |  |  |
| 2           | —              | M.H | '95/1/17 |  |                         |                            |  |            |                               | dwg no sheet 1 of 1 size  |  |  |  |
| 3           | —              | M.I | '97/11/5 |  |                         |                            |  |            |                               | JSA 92450 A4  |  |  |  |
| 4           | J00182         | M.Y | '00/4/24 | dr   | <i>H. Shouh</i> 9/7/06  |                            |  |            | type Product Customer Drawing |   |  |  |  |
| AA          | J03-0196       | H.T | '03/5/1  | enr  | <i>H. Shouh</i> 9/7/06  |                            |  |            |                               |   |  |  |  |
| AB          | J06-0372       | H.T | '06/9/7  | chr  | <i>R. Shouh</i> 9/7/06  |                            |  |            |                               |   |  |  |  |
|             |                |     |          | appd   | <i>P. Madan</i> 8/11/06 |                            |  |            |                               |   |  |  |  |
| sheet index | revision sheet | AB  | 1        |  |                         |                            |  |            |                               | Rev. AB   |  |  |  |

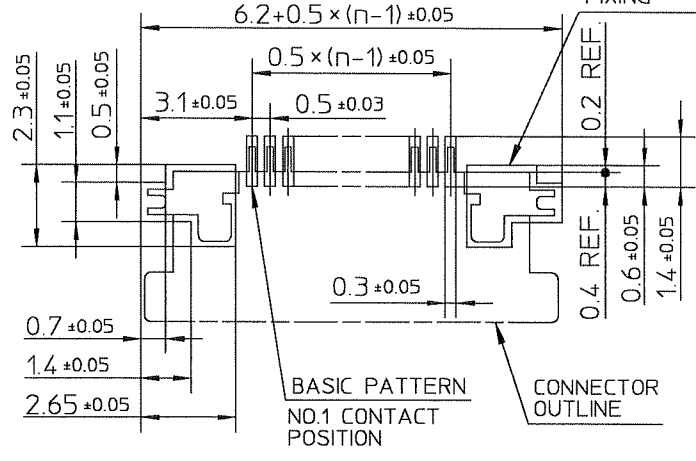


| PT. NO. | PARTS NAME     | MATERIAL                                   | Q'TY | NOTE                |
|---------|----------------|--|------|---------------------|
| 1       | HOUSING        | POLYAMIDE RESIN GLASS REINFORCED (UL94V-0) | 1    | COLOR : BLACK       |
| 2       | SLIDER         | PPS RESIN GLASS REINFORCED (UL94V-0)       | 1    | COLOR : BROWN       |
| 3       | CONTACT        | PHOSPHOR BRONZE                            | n    | PLATING : TIN ALLOY |
| 4       | MOUNTING PLATE |  | 2    |                     |

RECOMMENDED PC BOARD LAYOUT  
(COMPONENT SIDE)

PATTERN FOR MOUNTING PLATE  
FIXING

n : NO. OF CONTACTS

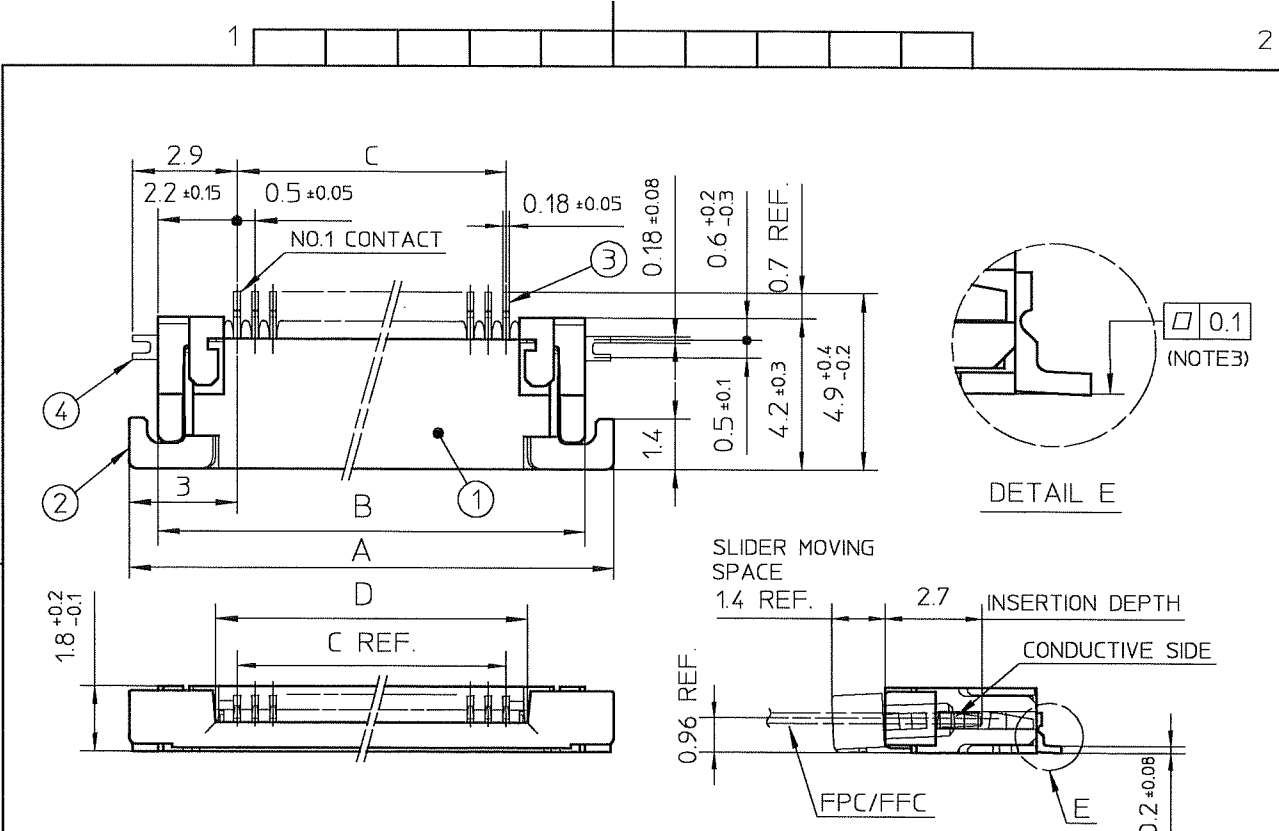


NOTES

1. THIS PRODUCT IS THE CONNECTOR USED FOR FPC/FFC AND COPES WITH AUTOMATIC MOUNTING (SMT).
2. THIS PRODUCT IS LOWER CONTACT TYPE CONNECTOR.
3. FLATNESS OF CONTACT TERMINAL AND MOUNTING PLATE MUST BE WITHIN TOLERANCE IN E PORTION DETAILED DRAWING.

|             |                |                    |           |                                       |                   |            |  |  |  |         |
|-------------|----------------|--------------------|-----------|---------------------------------------|-------------------|------------|--|--|--|---------|
| mat'l. code |                | surface ISO 1302 ✓ |           | tolerance ISO 406 ISO 1101            |                   | projection |  | product family 58EF  |  |         |
| ltr         | ecn no         | dr                 | date      | tolerances unless otherwise specified |                   | title      |  | CONNECTION USED FOR FPC/FFC WITH 0.5 mm CONTACT SPACING (Cat No. : SFV__R-1ST__) |  |         |
| 1           | —              | S.I                | '93/9/9   | angles                                | linear            | scale      |  | dwg no   |  |         |
| 2           | —              | M.H                | '94/12/8  | ±0.2                                  |                   | ↔          |  | sheet 1 of 1   |  |         |
| 3           | —              | M.H                | '95/11/10 | ±0.2                                  |                   | %          |  | size   |  |         |
| 4           | J00182         | M.Y                | '00/4/24  | dr                                    | W. Pichay 9/1/06  | FCJ        |  | JSA 92451  |  |         |
| AA          | J03-0196       | H.T                | '06/5/1   | engr                                  | W. Pichay 9/17/06 | A4         |  | type Product Customer Drawing  |  |         |
| AB          | J06-0064       | H.T                | '06/2/23  | chr                                   | R. Showri 9/11/06 |            |  |  |  |         |
| AC          | J06-0372       | H.T                | '06/9/17  | appd                                  | P. Chudav 9/11/06 |            |  |  |  |         |
| sheet index | revision sheet | AC                 | 1         |                                       |                   |            |  |  |  | Rev. AC |

SC-SFV01 JSA92450  
form: A4

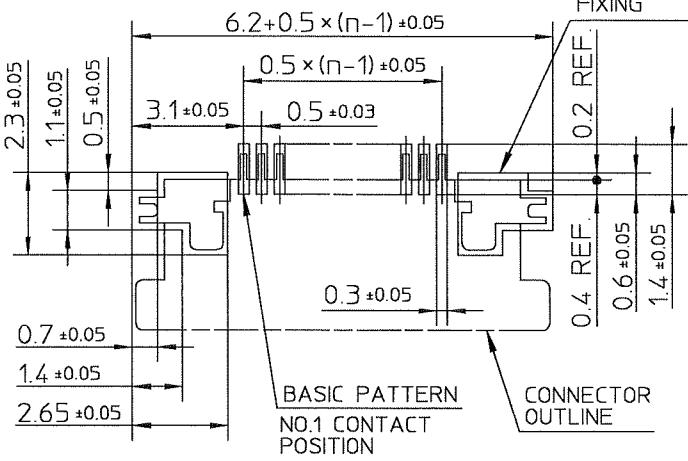


| PT. NO. | PARTS NAME     | MATERIAL                                   | Q'TY | NOTE                |
|---------|----------------|--|------|---------------------|
| 1       | HOUSING        | POLYAMIDE RESIN GLASS REINFORCED (UL94V-0) | 1    | COLOR : BLACK       |
| 2       | SLIDER         | PPS RESIN GLASS REINFORCED (UL94V-0)       | 1    | COLOR : BROWN       |
| 3       | CONTACT        | PHOSPHOR BRONZE                            | n    | PLATING : TIN ALLOY |
| 4       | MOUNTING PLATE |  | 2    |                     |

RECOMMENDED PC BOARD LAYOUT  
(COMPONENT SIDE)

PATTERN FOR MOUNTING PLATE  
FIXING

n : NO. OF CONTACTS



NOTES

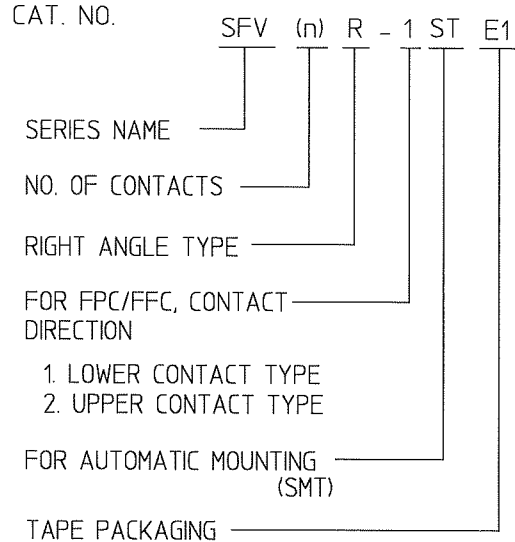
1. THIS PRODUCT IS THE CONNECTOR USED FOR FPC/FFC AND COPES WITH AUTOMATIC MOUNTING (SMT).
2. THIS PRODUCT IS UPPER CONTACT TYPE CONNECTOR.
3. FLATNESS OF CONTACT TERMINAL AND MOUNTING PLATE MUST BE WITHIN TOLERANCE IN E PORTION DETAILED DRAWING.

|             |          |                    |           |                                       |         |              |  |   |  |
|-------------|----------|--------------------|-----------|---------------------------------------|---------|--------------|--|---|--|
| mat'l. code |          | surface ISO 1302 ✓ |           | tolerance ISO 406 ISO 1101            |         | projection   |  | product family 58EF   |  |
| ltr         | ecn no   | dr                 | date      | tolerances unless otherwise specified |         | title        |  | CONNECTION USED FOR FPC/FFC WITH 0.5 mm CONTACT SPACING (Cat. No. : SFV__R-2ST__) |  |
| 1           | —        | S.I                | '93/9/9   | angles                                | linear  | scale X      |  | dwg no JSA 92452 sheet 1 of 1 size A4   |  |
| 2           | —        | M.H                | '94/12/8  | ±0.2                                  |         | FCJ          |  | type Product Customer Drawing   |  |
| 3           | —        | M.H                | '95/11/10 | dr                                    | 9/7/06  | sheet 1 of 1 |  | Rev. AC   |  |
| 4           | J00182   | M.Y                | '00/4/24  | engr                                  | 9/7/06  | size A4      |  |   |  |
| AA          | J03-0196 | H.T                | '03/5/1   | chr                                   | 9/7/06  |              |  |   |  |
| AB          | J06-0064 | H.T                | '06/2/23  | appd                                  | 9/11/06 |              |  |   |  |
| AC          | J06-0372 | H.T                | '06/9/7   |                                       |         |              |  |   |  |
| sheet       | revision | AC                 |           |                                       |         |              |  |   |  |
| index       | sheet    | 1                  |           |                                       |         |              |  |   |  |

SC-SFV01 JSA92450 form: A4

CAT. NO. & DIMENSIONS

| NO. OF CONTACTS (n) | CAT. NO.       | DIMENSIONS (NOTE3) |         |         |
|---------------------|----------------|--------------------|---------|---------|
|                     |                | F ± 5              | G ± 0.3 | H ± 0.1 |
| 4                   | SFV4R-1/2STE1  | 20.4               | 16      | —       |
| 5                   | SFV5R-1/2STE1  | 20.4               | 16      | —       |
| 6                   | SFV6R-1/2STE1  | 20.4               | 16      | —       |
| 7                   | SFV7R-1/2STE1  | 28.4               | 24      | —       |
| 8                   | SFV8R-1/2STE1  | 28.4               | 24      | —       |
| 9                   | SFV9R-1/2STE1  | 28.4               | 24      | —       |
| 10                  | SFV10R-1/2STE1 | 28.4               | 24      | —       |
| 11                  | SFV11R-1/2STE1 | 28.4               | 24      | —       |
| 12                  | SFV12R-1/2STE1 | 28.4               | 24      | —       |
| 13                  | SFV13R-1/2STE1 | 28.4               | 24      | —       |
| 14                  | SFV14R-1/2STE1 | 28.4               | 24      | —       |
| 15                  | SFV15R-1/2STE1 | 28.4               | 24      | —       |
| 16                  | SFV16R-1/2STE1 | 28.4               | 24      | —       |
| 17                  | SFV17R-1/2STE1 | 28.4               | 24      | —       |
| 18                  | SFV18R-1/2STE1 | 28.4               | 24      | —       |
| 19                  | SFV19R-1/2STE1 | 28.4               | 24      | —       |
| 20                  | SFV20R-1/2STE1 | 28.4               | 24      | —       |
| 21                  | SFV21R-1/2STE1 | 28.4               | 24      | —       |
| 22                  | SFV22R-1/2STE1 | 28.4               | 24      | —       |
| 23                  | SFV23R-1/2STE1 | 36.4               | 32      | 28.4    |
| 24                  | SFV24R-1/2STE1 | 36.4               | 32      | 28.4    |
| 25                  | SFV25R-1/2STE1 | 36.4               | 32      | 28.4    |
| 26                  | SFV26R-1/2STE1 | 36.4               | 32      | 28.4    |
| 27                  | SFV27R-1/2STE1 | 36.4               | 32      | 28.4    |
| 28                  | SFV28R-1/2STE1 | 36.4               | 32      | 28.4    |
| 29                  | SFV29R-1/2STE1 | 36.4               | 32      | 28.4    |
| 30                  | SFV30R-1/2STE1 | 36.4               | 32      | 28.4    |
| 31                  | SFV31R-1/2STE1 | 48.4               | 44      | 40.4    |
| 32                  | SFV32R-1/2STE1 | 48.4               | 44      | 40.4    |
| 33                  | SFV33R-1/2STE1 | 48.4               | 44      | 40.4    |
| 34                  | SFV34R-1/2STE1 | 48.4               | 44      | 40.4    |
| 35                  | SFV35R-1/2STE1 | 48.4               | 44      | 40.4    |



NOTES

1. THIS PRODUCT IS THE CONNECTOR USED FOR FPC/FFC AND COPEs WITH AUTOMATIC MOUNTING (SMT).
2. THIS CATALOG NO. INDICATES PLASTIC TAPE PACKAGED CONNECTOR.
3. SEE PART DRAWINGS FOR DIMENSIONS F-H.



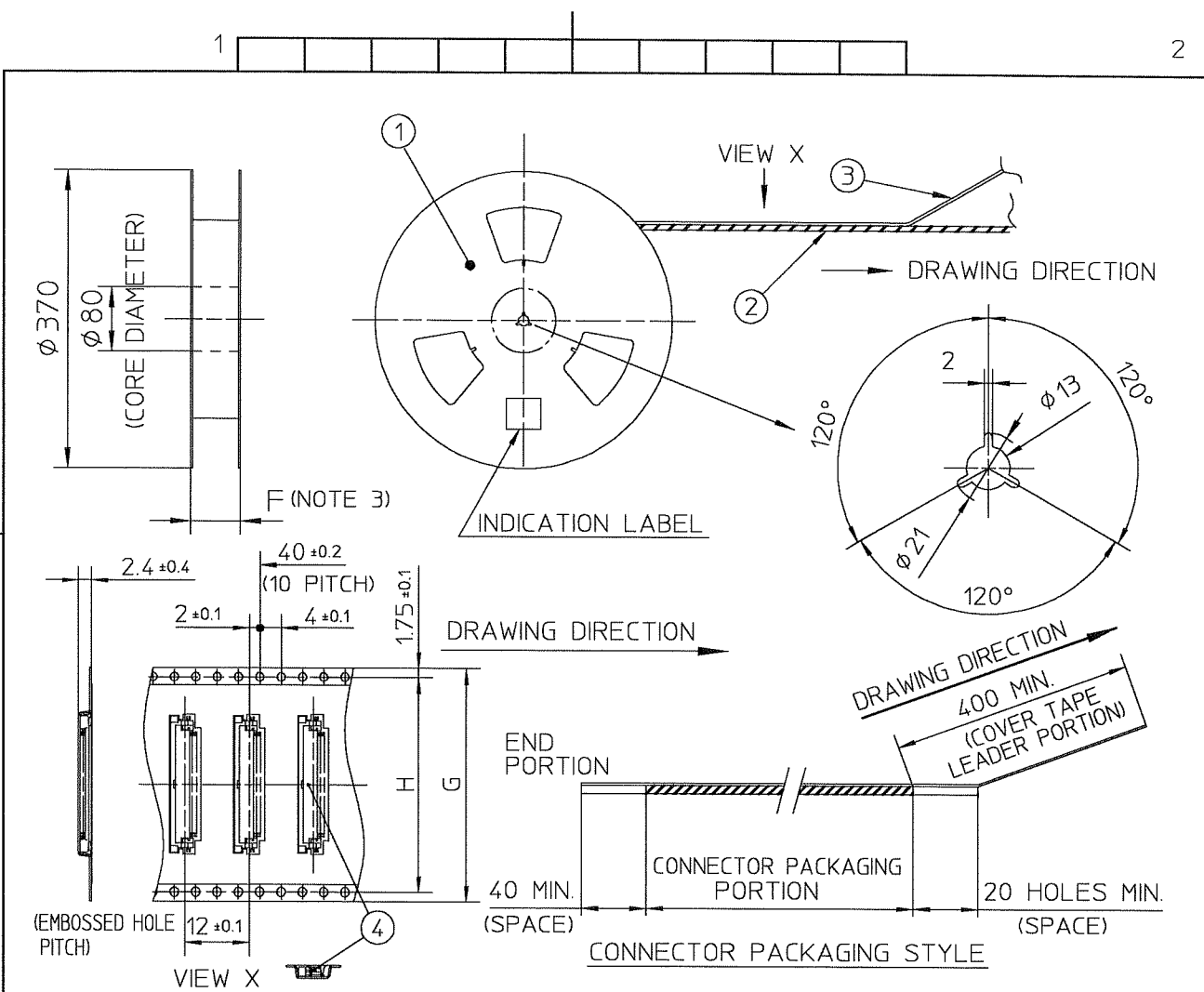
FCIconnect.com

Copyright FCI

|             |          |                |          |                                       |  |                            |  |            |  |   |  |              |  |         |  |
|-------------|----------|----------------|----------|---------------------------------------|--|----------------------------|--|------------|--|---|--|--------------|--|---------|--|
| mat'l. code |          |                |          | surface ISO 1302 ✓                    |  | tolerance ISO 406 ISO 1101 |  | projection |  | product family 58EF   |  |              |  |         |  |
| ltr         | ecn no   | dr             | date     | tolerances unless otherwise specified |  |                            |  |            |  | title   |  |              |  |         |  |
| 4           | —        | M.I            | '97/11/5 | angles                                |  | linear                     |  |            |  | CAT. NO. TABLE FOR PLASTIC TAPE PACKAGED 0.5 mm CONTACT SPACING CONNECTOR (Cat. No. : SFV__R-1/2STE1) |  |              |  |         |  |
| 5           | J00182   | M.Y            | '00/4/24 |                                       |  |                            |  | scale X    |  |   |  |              |  |         |  |
| AA          | J03-0196 | H.T            | '03/5/1  |                                       |  |                            |  |            |  |   |  |              |  |         |  |
| AB          | J06-0372 | H.T            | '06/9/7  | dr                                    |  | 9/7/06                     |  |            |  | dwg no  |  | sheet 1 of 1 |  |         |  |
|             |          |                |          | engr                                  |  | 9/7/06                     |  |            |  | JSA 92453   |  | size         |  | A4      |  |
|             |          |                |          | chr                                   |  | 9/8/06                     |  |            |  |   |  |              |  |         |  |
|             |          |                |          | appd                                  |  | 9/11/06                    |  |            |  |   |  |              |  |         |  |
| sheet index |          | revision sheet |          | AB 1                                  |  |                            |  |            |  |   |  |              |  | Rev. AB |  |

SC-SFV01 JSA92450 form: A4





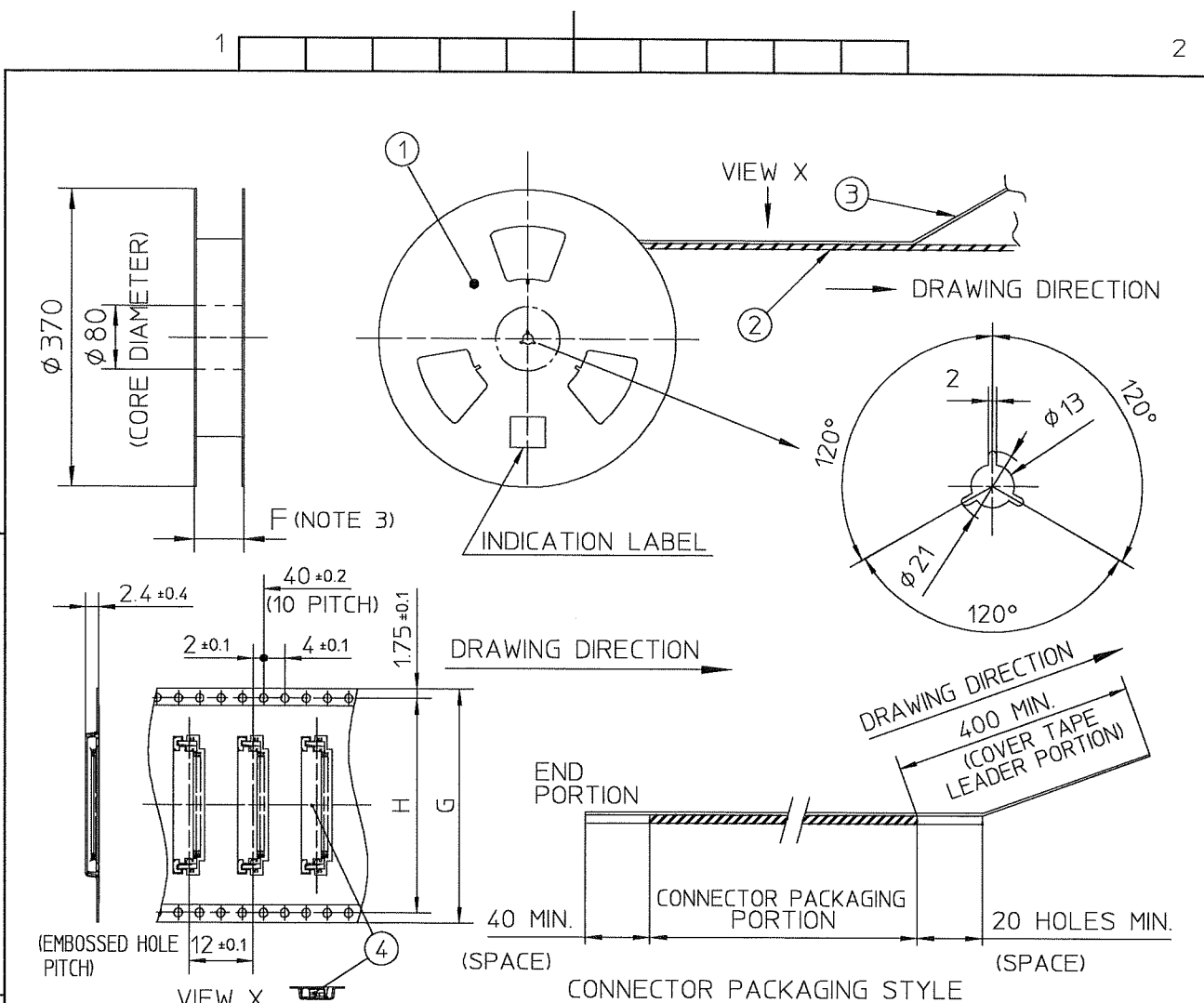
| PT. NO. | PARTS NAME            | CAT. NO.     | MATERIAL          | Q'TY | NOTE                 |
|---------|-----------------------|--------------|-------------------|------|----------------------|
| 1       | REEL                  | —            | CARDBOARD         | 1    | COLOR : WHITE        |
| 2       | PLASTIC (EMBOSS) TAPE | —            | A-PET             | —    | COLOR : TRANSPARENCY |
| 3       | COVER                 | —            | POLYESTER         | —    | COLOR : TRANSPARENCY |
| 4       | CONNECTOR             | SFV__R-1ST__ | SEE ATTACHED DWG. | 3000 | LOWER CONTACT TYPE   |

NOTES

1. THIS IS PLASTIC TAPE PACKAGED CONNECTOR USED FOR FPC/FFC AND COPES WITH AUTOMATIC MOUNTING (SMT).
2. SEE JIS C 0806 (PACKING OF ELECTRONIC COMPONENTS ON CONTINUOUS TAPES (SURFACE MOUNTING DEVICES)) FOR SHAPE AND DIMENSIONS OF PLASTIC (EMBOSS) TAPE AND REEL.
3. F DIMENSION IS PORTION OF THE CORE.

|             |                |                    |          |                                       |         |                                  |  |                               |         |
|-------------|----------------|--------------------|----------|---------------------------------------|---------|----------------------------------|--|-------------------------------|---------|
| mat'l. code |                | surface ISO 1302 ✓ |          | tolerance ISO 406 ISO 1101            |         | projection                       |  | product family 58EF           |         |
| ltr         | ecn no         | dr                 | date     | tolerances unless otherwise specified |         | title                            |  | PLASTIC TAPE PACKAGED         |         |
| 1           | —              | MK                 | '96/7/13 | angles                                | linear  | 0.5 mm CONTACT SPACING CONNECTOR |  | (Cat. No. : SFV__R-1STE1)     |         |
| AA          | J03-0196       | H.T                | '03/5/1  | ±5°                                   |         | scale X                          |  |                               |         |
| AB          | J06-0372       | H.T                | '06/9/17 |                                       |         | FCJ                              |  | dwg no sheet 1 of 1 size      |         |
|             |                |                    |          | dr                                    | 9/9/06  |                                  |  | JSA 92454 A4                  |         |
|             |                |                    |          | engr                                  | 9/9/06  |                                  |  | type Product Customer Drawing |         |
|             |                |                    |          | chr                                   | 9/8/06  |                                  |  |                               |         |
|             |                |                    |          | appd                                  | 9/11/06 |                                  |  |                               |         |
| sheet index | revision sheet | AB                 | 1        |                                       |         |                                  |  |                               | Rev. AB |

SC-SFV01 JSA92450 form: A4



| PT. NO. | PARTS NAME            | CAT. NO.     | MATERIAL          | Q'TY  | NOTE                 |
|---------|-----------------------|--------------|-------------------|-------|----------------------|
| 1       | REEL                  | _____        | CARDBOARD         | 1     | COLOR : WHITE        |
| 2       | PLASTIC (EMBOSS) TAPE | _____        | A-PET             | _____ | COLOR : TRANSPARENCY |
| 3       | COVER                 | _____        | POLYESTER         | _____ | COLOR : TRANSPARENCY |
| 4       | CONNECTOR             | SFV__R-2ST__ | SEE ATTACHED DWG. | 3000  | UPPER CONTACT TYPE   |

NOTES

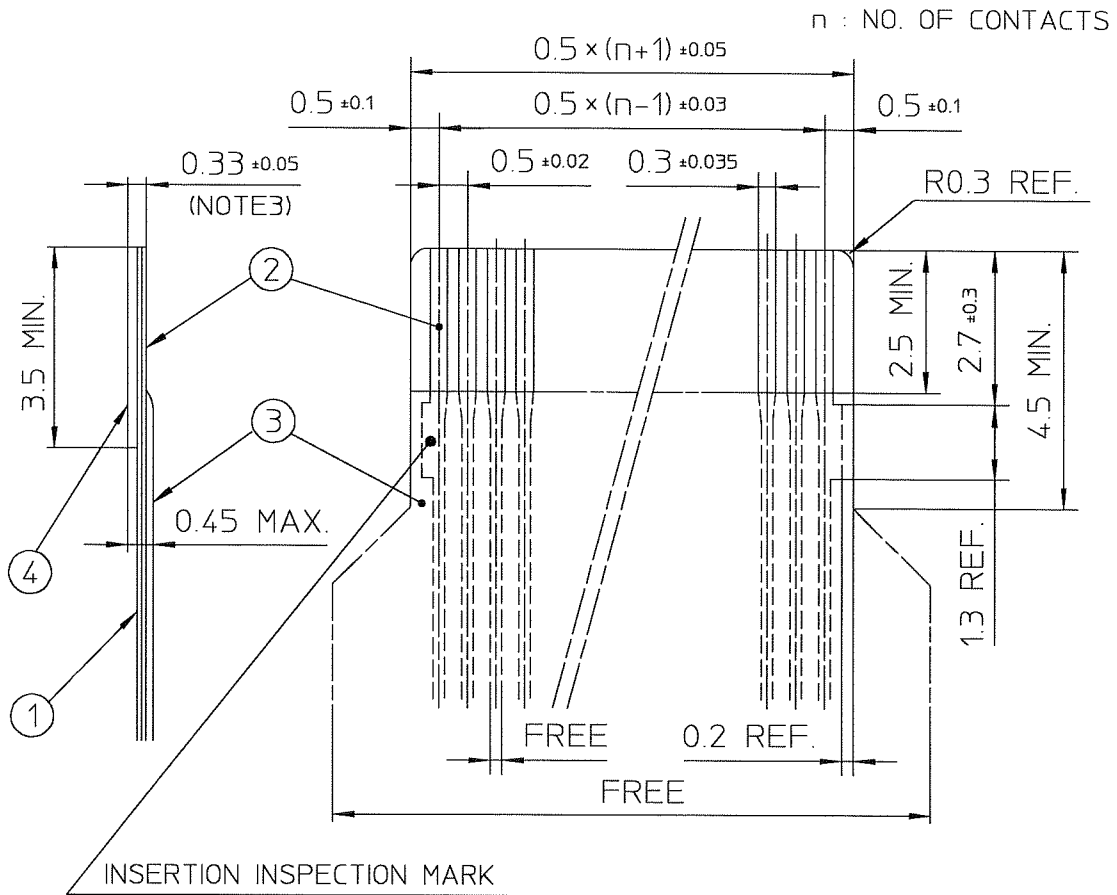
- THIS IS PLASTIC TAPE PACKAGED CONNECTOR USED FOR FPC/FFC AND COPES WITH AUTOMATIC MOUNTING (SMT).
- SEE JIS C 0806 (PACKING OF ELECTRONIC COMPONENTS ON CONTINUOUS TAPES (SURFACE MOUNTING DEVICES)) FOR SHAPE AND DIMENSIONS OF PLASTIC (EMBOSS) TAPE AND REEL.

CHANGED DRAWING PORTION FORM CHANGED. DIMENSION IS PORTION OF THE CORE.

|             |                |     |         |                                       |         |                            |  |            |                               |  |  |         |
|-------------|----------------|-----|---------|---------------------------------------|---------|----------------------------|--|------------|-------------------------------|--|--|---------|
| mat'l. code |                |     |         | surface ISO 1302 ✓                    |         | tolerance ISO 406 ISO 1101 |  | projection |                               | product family 58EF  |  |         |
| lfr         | ecn no         | dr  | date    | tolerances unless otherwise specified |         |                            |  |            |                               | title  |  |         |
| 1           | _____          | M.K | '96/7/3 | angles                                |         | ±5                         |  |            |                               | PLASTIC TAPE PACKAGED 0.5 mm CONTACT SPACING CONNECTOR (Cat. No. : SFV__R-2STE1) |  |         |
| AA          | J03-0196       | H.T | '03/5/1 | linear                                |         |                            |  | scale X    |                               | dwg no   |  |         |
| AB          | J06-0372       | H.T | '06/9/7 | ±5°                                   |         |                            |  |            |                               | sheet 1 of 1 size A4   |  |         |
|             |                |     |         | dr                                    | 9/7/06  |                            |  |            | JSA 92455                     |  |  |         |
|             |                |     |         | engr                                  | 9/7/06  |                            |  |            | type Product Customer Drawing |  |  |         |
|             |                |     |         | chr                                   | 9/8/06  |                            |  |            |                               |  |  |         |
|             |                |     |         | appd                                  | 9/11/06 |                            |  |            |                               |  |  |         |
| sheet index | revision sheet | AB  | 1       |                                       |         |                            |  |            |                               |  |  | Rev. AB |

SC-SFV01 JSA92450 form: A4

RECOMMENDED CABLE (FPC)



| PT. NO. | PARTS NAME      | MATERIAL                               | THICKNESS(μm) |
|---------|-----------------|--|---------------|
| 1       | BASE FILM       | POLYIMIDE OR POLYESTER OR EQUAL        | 25            |
| 2       | CONDUCTOR       | COPPER FOIL(PLATING : SOLDER 1μm MIN.) | 35            |
| 3       | OVERLAY         | POLYIMIDE OR POLYESTER OR EQUAL        | —             |
| 4       | SUPPORTING TAPE | POLYESTER OR POLYIMIDE OR EQUAL        | 188           |

NOTES

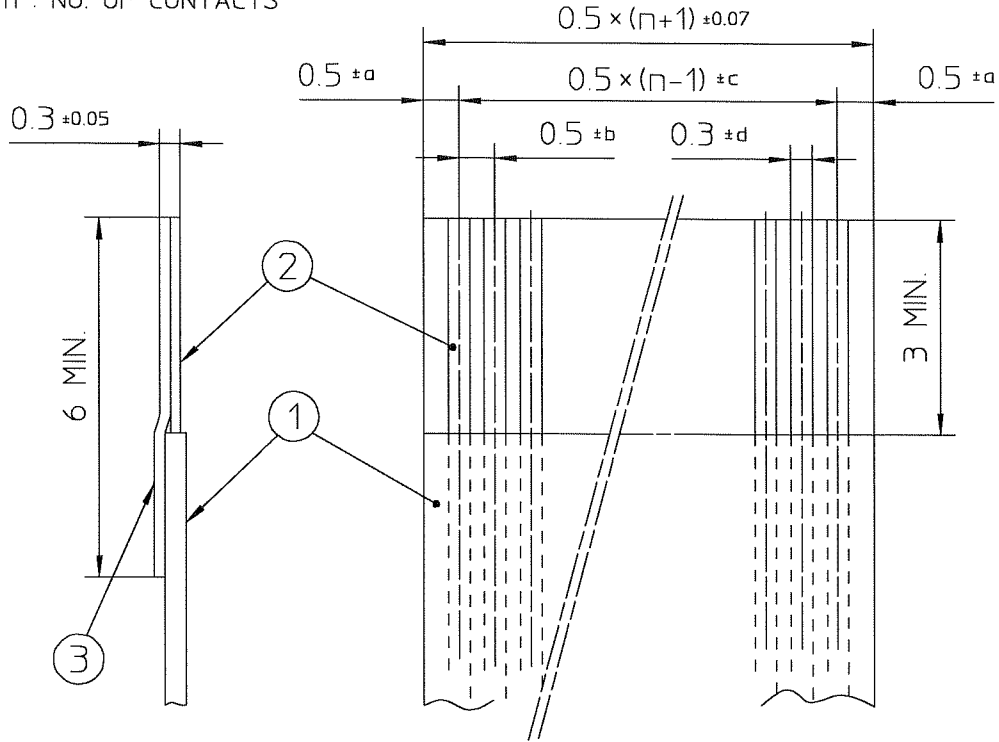
1. NO BURR AT EACH PORTION.
2. NO PEELING IN COMMON USE.
3. TOTAL THICKNESS LIMIT OF EACH MATERIAL (INCLUDING ADHESIVE AGENT) IS SPECIFIED.

|                          |  |                |  |                                       |  |                            |  |            |  |                             |  |
|--------------------------|--|----------------|--|---------------------------------------|--|----------------------------|--|------------|--|-----------------------------|--|
| mat'l. code              |  |                |  | surface ISO 1302 ✓                    |  | tolerance ISO 406 ISO 1101 |  | projection |  | product family 58EF         |  |
| ltr ecn no dr date       |  |                |  | tolerances unless otherwise specified |  |                            |  |            |  | title                       |  |
| 1 — M.H '94/12/8         |  |                |  | angles linear                         |  |                            |  |            |  | RECOMMENDED CABLE           |  |
| AA J03-0196 H.T '03/5/1  |  |                |  |                                       |  |                            |  |            |  | (Cat. No. : SFV__R-1/2ST__) |  |
| AB J06-0372 H.T '06/9/17 |  |                |  |                                       |  |                            |  |            |  |                             |  |
|                          |  |                |  | dr <i>H. Saito</i> 9/9/06             |  |                            |  |            |  | dwg no sheet 1 of 1 size    |  |
|                          |  |                |  | enr <i>H. Saito</i> 9/7/06            |  |                            |  |            |  | JSA 92456 A4                |  |
|                          |  |                |  | chr <i>R. Shoji</i> 9/8/06            |  |                            |  |            |  |                             |  |
|                          |  |                |  | appd <i>S. Ando</i> 9/11/06           |  |                            |  |            |  |                             |  |
| sheet index              |  | revision sheet |  | AB 1                                  |  |                            |  |            |  | Rev. AB                     |  |



RECOMMENDED CABLE (FFC)

n : NO. OF CONTACTS



| KIND OF FFC (NOTE3) | DIMENSIONAL TOLERANCE |       |       |        |
|---------------------|-----------------------|-------|-------|--------|
|                     | a                     | b     | c     | d      |
| 1                   | ±0.07                 | ±0.04 | ±0.05 | ±0.02  |
| 2                   | ±0.1                  | ±0.03 | ±0.03 | ±0.025 |

| PT. NO. | PARTS NAME      | MATERIAL                             | NOTE                                |
|---------|-----------------|--------------------------------------|-------------------------------------|
| 1       | INSULATOR       | FLAME RESISTING POLYESTER OR EQUAL   | _____                               |
| 2       | CONDUCTOR       | COPPER FOIL:THICKNESS<br>35 OR 50 μm | PLATING: TIN OR SOLDER<br>1 μm MIN. |
| 3       | SUPPORTING TAPE | FLAME RESISTING POLYESTER OR EQUAL   | _____                               |

NOTES

1. NO BURR AT EACH PORTION.
2. NO PEELING IN COMMON USE.
3. EITHER KIND1 OR KIND2 OF FFC CAN ACCEPT DIMENSIONAL TOLERANCE a,b,c AND d.

|             |                |     |           |                                       |                    |                            |  |            |                               |  |  |  |  |
|-------------|----------------|-----|-----------|---------------------------------------|--------------------|----------------------------|--|------------|-------------------------------|--|--|--|--|
| mat'l. code |                |     |           | surface ISO 1302 ✓                    |                    | tolerance ISO 406 ISO 1101 |  | projection |                               | product family 58EF                              |  |  |  |
| ltr         | ecn no         | dr  | date      | tolerances unless otherwise specified |                    |                            |  |            |                               | title  |  |  |  |
| 1           | —              | S.I | '93/9/9   | angles                                |                    | linear                     |  | ← →        |                               | RECOMMENDED CABLE<br>(Cat. No. : SFV__R-1/2ST__) |  |  |  |
| AA          | J03-0196       | H.T | '03/5/1   |                                       |                    |                            |  | scale X    |                               | dwg no sheet 1 of 1 size                         |  |  |  |
| AB          | J06-0372       | H.T | '06/9/7   | dr                                    | <i>[Signature]</i> | 11/27/06                   |  |            | JSA 92457 A4                  |  |  |  |  |
| AC          | J06-0499       | H.T | '06/11/27 | enr                                   | <i>[Signature]</i> | 11/27/06                   |  |            | type Product Customer Drawing |  |  |  |  |
|             |                |     |           | chr                                   | <i>[Signature]</i> | 11/27/06                   |  |            |                               |  |  |  |  |
|             |                |     |           | appd                                  | <i>[Signature]</i> | 11/28/06                   |  |            |                               |  |  |  |  |
| sheet index | revision sheet | AC  | 1         |                                       |                    |                            |  |            |                               | Rev. AC  |  |  |  |

SC-SFV01 JSA92450 form: A4