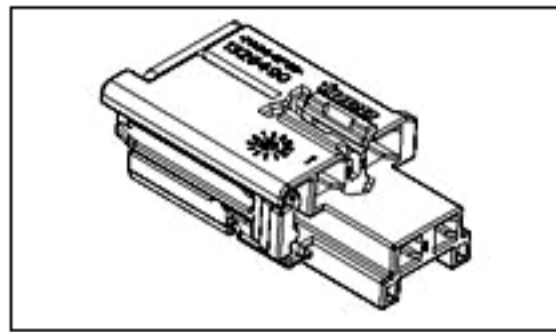


## 1326490-3 Product Details

[Share](#) | [Print](#) | [Email](#)


1326490-3

TE Internal Number: 1326490-3

Active

View 3D PDF

### Timer Connectors

Always ELV Compliant (Statement of Compliance)

#### Product Highlights:

- Connector
- Housing
- Connector Style = Receptacle
- Not Preloaded
- Contact Type = Socket

[View all Features](#)

#### Quick Links

- ▶ [Check Pricing & Availability](#)
- ▶ [Search for Tooling](#)
- ▶ [Product Feature Selector](#)
- ▶ [Contact Us About This Product](#)

[Add to My Part List](#) | [Request Sample](#) | [Find Similar Products](#) | [Buy Product](#)

### Documentation & Additional Information

<p><b>Product Drawings:</b></p> <ul style="list-style-type: none"> <li>• <a href="#">RECEPTACLE HOUSING, 4 POSITION, 2X JPT CONTACTS + 2X...</a> (PDF, English)</li> <li>• <a href="#">JUNIOR-POWER-TIMER CONTACT JUNIOR-POWER-TIMER CONTACT</a> (PDF, English)</li> <li>• <a href="#">MICRO TIMER 3 CONTACT</a> (PDF, English)</li> <li>• <a href="#">PRODUCT GROUP DRAWING FOR MICRO TIMER 3 CONTACT</a> (TIF, German)</li> </ul> <p><b>Catalog Pages/Data Sheets:</b></p> <ul style="list-style-type: none"> <li>• None Available</li> </ul> <p><b>Product Specifications:</b></p> <ul style="list-style-type: none"> <li>• None Available</li> </ul> <p><b>Application Specifications:</b></p> <ul style="list-style-type: none"> <li>• None Available</li> </ul> <p><b>Instruction Sheets:</b></p> <ul style="list-style-type: none"> <li>• <a href="#">4-Position Seat Motor Connector</a> (PDF, English)</li> </ul> <p><b>CAD Files:</b> (CAD Format &amp; Compression Information)</p> <ul style="list-style-type: none"> <li>• <a href="#">2D Drawing</a> (DXF, Version F)</li> <li>• <a href="#">3D Model</a> (IGES, Version F)</li> <li>• <a href="#">3D Model</a> (STEP, Version F)</li> </ul>	<p><b>Additional Information:</b></p> <ul style="list-style-type: none"> <li>• <a href="#">Product Line Information</a></li> </ul> <p><b>Related Products:</b></p> <ul style="list-style-type: none"> <li>• <a href="#">Tooling</a></li> </ul>
--	--

[List all Documents](#)

### Product Features (Please use the Product Drawing for all design activity)

<p><b>Product Type Features:</b></p> <ul style="list-style-type: none"> <li>• Product Type = Connector</li> <li>• Connector Type = Housing</li> <li>• <a href="#">Type of Connector</a> = 1.6/2.8, Hybrid Timer, JPT/Micro Timer 3</li> <li>• Sealed = No</li> <li>• For Use With = Secondary Lock, 968183-1</li> </ul> <p><b>Body Features:</b></p> <ul style="list-style-type: none"> <li>• Number of Positions = 4</li> </ul> <p><b>Contact Features:</b></p> <ul style="list-style-type: none"> <li>• Preloaded = No</li> <li>• Contact Type = Socket</li> </ul>	<p><b>Housing Features:</b></p> <ul style="list-style-type: none"> <li>• Connector Style = Receptacle</li> <li>• Housing Material = Nylon 6/6</li> <li>• Housing Color = Gray</li> </ul> <p><b>Industry Standards:</b></p> <ul style="list-style-type: none"> <li>• <a href="#">RoHS/ELV Compliance</a> = ELV compliant</li> <li>• <a href="#">Lead Free Solder Processes</a> = Not reviewed for lead free solder process</li> <li>• <a href="#">RoHS/ELV Compliance History</a> = Always was ELV compliant</li> </ul> <p><b>Other:</b></p> <ul style="list-style-type: none"> <li>• Brand = Tyco Electronics</li> <li>• Comment = See drawing for additional product information.; Contacts sold separately.; Accepts (2) JPT + (2) M-T 3 Contacts.</li> </ul>
--	---

#### Corporate Information

- [About TE](#)
- [Investors](#)
- [News Room](#)
- [Supplier Portal](#)
- [Careers](#)

#### Quick Links

- [Check Distributor Inventory](#)
- [Cross Reference Products](#)
- [Find Documents & Drawings](#)
- [Product Compliance Support Center](#)
- [Site Map](#)

#### Customer Support

- [Email or Chat With Us](#)
- [Find a Phone Number](#)
- [Search Knowledge Base](#)
- [Manage Your Account](#)

#### Keep Me Informed

Receive TE News, Events & Technology Updates

Enter your email address

