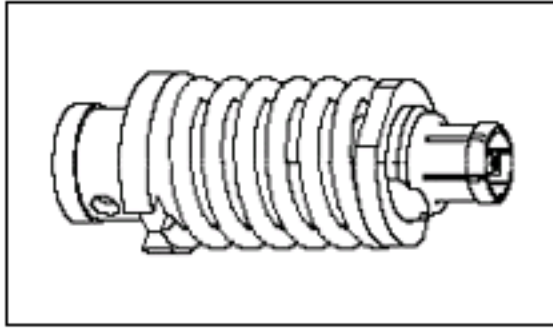


## 1996390-1 Product Details

Share | Print | Email



1996390-1

TE Internal Number: 1996390-1

Active

[View 3D PDF](#)

### SMP/SMPM RF Connectors

[Always EU RoHS/ELV Compliant \(Statement of Compliance\)](#)

#### Product Highlights:

- Connector - RF
- RF Connector Type = SMPM
- Mount = Floating Panel
- Mount Type = Cable Mount
- Cable Type = RG 405 Semi-Rigid/.085 [2.15]

[View all Features](#)

#### Quick Links

- ▶ [Check Pricing & Availability](#)
- ▶ [Search for Tooling](#)
- ▶ [Product Feature Selector](#)
- ▶ [Contact Us About This Product](#)

[Add to My Part List](#) | [Request Sample](#) | [Find Similar Products](#) | [Buy Product](#)

### Documentation & Additional Information

#### Product Drawings:

- [SMPM STRAIGHT CABLE JACK \(F\) FLOATING PANEL MOUNT - ...](#) (PDF, English)

#### Catalog Pages/Data Sheets:

- None Available

#### Product Specifications:

- [Modular, High Density, RF Connection System](#) (PDF, English)

#### Application Specifications:

- None Available

#### Instruction Sheets:

- [SMPM Floating Panel Mount, Cable Jacks \(Direct Solde...](#) (PDF, English)

#### CAD Files: ([CAD Format & Compression Information](#))

- [2D Drawing](#) (DXF, Version M)
- [3D Model](#) (IGES, Version M)
- [3D Model](#) (STEP, Version M)

#### Related Products:

- [Tooling](#)

[List all Documents](#)

### Product Features (Please use the Product Drawing for all design activity)

#### Product Type Features:

- Product Type = Connector - RF
- RF Connector Type = SMPM
- Mount = Floating Panel
- Cable Type = RG 405 Semi-Rigid/.085 [2.15]
- Termination Type = Solder
- Dielectric Material = Fluoropolymer

#### Electrical Characteristics:

- Impedance ( $\Omega$ ) = 50

#### Body Features:

- Mount Type = Cable Mount

#### Contact Features:

- Plating Material = Gold over Nickel
- Contact Base Material = Beryllium Copper
- Contact Plating, Mating Area, Material = Gold over Nickel
- Center Contact Material = Beryllium Copper
- Center Contact Plating = Gold over Nickel

#### Housing Features:

- Housing Material = Beryllium Copper

#### Industry Standards:

- VITA 67 = Yes
- [RoHS/ELV Compliance](#) = RoHS compliant, ELV compliant
- [Lead Free Solder Processes](#) = Hand solderable with tin/lead solder
- RoHS/ELV Compliance History = Always was RoHS compliant

#### Other:

- Brand = AMP

#### Corporate Information

- [Who We Are](#)
- [Investors](#)
- [News Room](#)
- [Supplier Portal](#)
- [Careers](#)

#### Quick Links

- [Check Distributor Inventory](#)
- [Cross Reference](#)
- [Find Documents & Drawings](#)
- [Product Compliance Support Center](#)
- [Site Map](#)

#### Customer Support

- [Email or Chat With Us](#)
- [Find a Phone Number](#)
- [Search Knowledge Base](#)
- [Manage your Account](#)

#### Keep Me Informed

Receive TE News, Events & Technology Updates

Enter your email address

