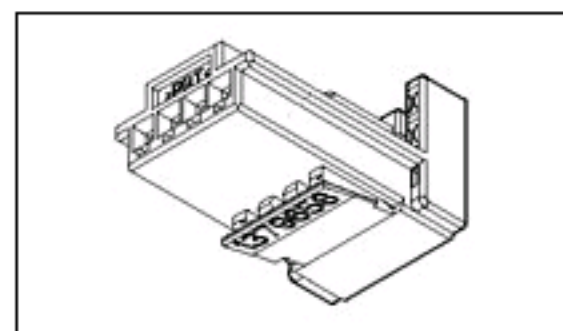




# 1379658-1 Product Details

Share Print Email



1379658-1

TE Internal Number: 1379658-1

Active

View 3D PDF

## 0.025 Series and Hybrid Connectors and Contacts

Always EU RoHS/ELV Compliant (Statement of Compliance)

### Product Highlights:

- Product Series = 025
- Wire-to-Wire
- Applies To Wire/Cable
- Connector
- Housing

[View all Features](#)

### Quick Links

- ▶ Pricing & Availability
- ▶ Search for Tooling
- ▶ Product Feature Selector
- ▶ Contact Us About This Product

Add to My Part List Request Sample Find Similar Products Buy Product

Documentation & Additional Information	
<b>Product Drawings:</b> <ul style="list-style-type: none"> <li>• 025 TH 4 POS PLUG HOUSING (PDF, English)</li> </ul> <b>Catalog Pages/Data Sheets:</b> <ul style="list-style-type: none"> <li>• None Available</li> </ul> <b>Product Specifications:</b> <ul style="list-style-type: none"> <li>• CONNECTEURS TH PC-PL (PDF, English)</li> </ul> <b>Application Specifications:</b> <ul style="list-style-type: none"> <li>• None Available</li> </ul> <b>Instruction Sheets:</b> <ul style="list-style-type: none"> <li>• CONNECTIQUE TH POUR RACCORDEMENT FIL-FIL (PDF, French)</li> </ul> <b>CAD Files: (CAD Format &amp; Compression Information)</b> <ul style="list-style-type: none"> <li>• 2D Drawing (DXF, Version A)</li> <li>• 3D Model (IGES, Version A)</li> <li>• 3D Model (STEP, Version A)</li> </ul>	<b>Additional Information:</b> <ul style="list-style-type: none"> <li>• Product Line Information</li> </ul> <b>Related Products:</b> <ul style="list-style-type: none"> <li>• Tooling</li> </ul>

[List all Documents](#)

Product Features (Please use the Product Drawing for all design activity)	
<b>Product Type Features:</b> <ul style="list-style-type: none"> <li>• Product Series = 025</li> <li>• Product Type = Connector</li> <li>• Connector Type = Housing</li> <li>• Termination Method to Wire/Cable = Crimp</li> <li>• Strain Relief = Without</li> <li>• Sealed = No</li> <li>• Wire/Cable Type = Discrete Wire</li> </ul> <b>Mechanical Attachment:</b> <ul style="list-style-type: none"> <li>• Mating Retention Type = Latching</li> <li>• Panel Mount Retention = Without</li> </ul> <b>Electrical Characteristics:</b> <ul style="list-style-type: none"> <li>• Contact - Rated Current (A) = 5</li> <li>• Operating Voltage Reference = DC</li> <li>• Operating Voltage (VDC) = 14</li> </ul> <b>Dimensions:</b> <ul style="list-style-type: none"> <li>• Length (X-Axis) (mm [in]) = 19.00 [0.748]</li> <li>• Width (Z-Axis) (mm [in]) = 11.80 [0.4646]</li> <li>• Profile Height (Y-Axis) (mm [in]) = 10.05 [0.3957]</li> </ul> <b>Body Features:</b> <ul style="list-style-type: none"> <li>• Mating Retention = With</li> <li>• Wire Type = Stranded</li> </ul> <b>Contact Features:</b> <ul style="list-style-type: none"> <li>• Contact Type = Receptacle</li> <li>• Multiple Contact Types = Without</li> <li>• Shunts/Shorting Bars = Without</li> </ul> <b>Housing Features:</b> <ul style="list-style-type: none"> <li>• Connector Style = Plug</li> <li>• Centerline (mm [in]) = 2.20 [0.087]</li> <li>• Housing Material = PBT</li> <li>• Housing Color = Black</li> <li>• Mating Alignment = With</li> <li>• Mating Alignment Type = Keyed</li> <li>• UL Flammability Rating = UL 94-HB</li> </ul>	<b>Configuration Features:</b> <ul style="list-style-type: none"> <li>• Number of Positions = 4</li> <li>• Number of Rows = 1</li> <li>• GET 0.64 Connector System = No</li> </ul> <b>Industry Standards:</b> <ul style="list-style-type: none"> <li>• RoHS/ELV Compliance = RoHS compliant, ELV compliant</li> <li>• Lead Free Solder Processes = Not reviewed for lead free solder process</li> <li>• RoHS/ELV Compliance History = Always was RoHS compliant</li> </ul> <b>Identification Marking:</b> <ul style="list-style-type: none"> <li>• Keying = 1</li> </ul> <b>Environmental:</b> <ul style="list-style-type: none"> <li>• Operating Temperature (°C [°F]) = -40 - +100 [-40 - +212]</li> </ul> <b>Conditions for Usage:</b> <ul style="list-style-type: none"> <li>• Applies To = Wire/Cable</li> </ul> <b>Operation/Application:</b> <ul style="list-style-type: none"> <li>• Application Use = Wire-to-Wire</li> <li>• Contact Transmits (Typical Application) = Signal (Data)</li> </ul> <b>Packaging Features:</b> <ul style="list-style-type: none"> <li>• Packaging Method = Bag</li> <li>• Packaging Quantity = 900</li> </ul> <b>Other:</b> <ul style="list-style-type: none"> <li>• Brand = TE Connectivity</li> <li>• Comment = Applied Contacts 025 : 1123343-2 ,1801069-2,1674298-1</li> </ul>

**Corporate Information**

- [About TE](#)
- [Investors](#)
- [News Room](#)
- [Supplier Portal](#)
- [Careers](#)
- [Terms & Conditions](#)
- [Privacy Policy](#)

**Quick Links**

- [Distributor Inventory](#)
- [Product Cross Reference](#)
- [Documents & Drawings](#)
- [Product Compliance Support Center](#)
- [Site Map](#)

**Customer Support**

- [Email or Chat With Us](#)
- [Find a Phone Number](#)
- [Knowledge Base](#)
- [Manage Your Account](#)

### Keep Me Informed

