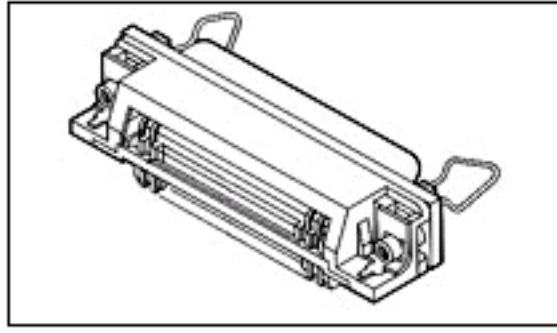


5557932-1 Product Details

[Share](#) | [Print](#) | [Email](#)


5557932-1

TE Internal Number: 5557932-1

Active

[View 3D PDF](#)

2.16 [.085] PCB Connectors & Cable Assemblies

[Always EU RoHS/ELV Compliant \(Statement of Compliance\)](#)

Product Highlights:

- Connector
- Connector Style = Receptacle
- 2.16 mm Centerline
- CHAMP Product Line
- 50 Positions

[View all Features](#)

Quick Links

- ▶ [Check Pricing & Availability](#)
- ▶ [Search for Tooling](#)
- ▶ [Product Feature Selector](#)
- ▶ [Contact Us About This Product](#)

[Add to My Part List](#) | [Request Sample](#) | [Find Similar Products](#) | [Buy Product](#)

Documentation & Additional Information

Product Drawings:

- [RECEPTACLE ASSEMBLY, SHIELDED, RIGHT ANGLE, 50 POSIT...](#) (PDF, English)

Catalog Pages/Data Sheets:

- None Available

Product Specifications:

- None Available

Application Specifications:

- None Available

Instruction Sheets:

- None Available

CAD Files: ([CAD Format & Compression Information](#))

- [2D Drawing](#) (DXF, Version A)
- [3D Model](#) (IGES, Version A)
- [3D Model](#) (STEP, Version A)

Additional Information:

- [Product Line Information](#)

Related Products:

- [Tooling](#)

[List all Documents](#)

Product Features (Please use the Product Drawing for all design activity)

Product Type Features:

- Product Type = Connector
- Product Line = CHAMP
- [PCB Mount Style](#) = Right Angle
- [Orientation](#) = Reverse
- [Profile](#) = Standard
- Mating Connector Lock = With
- Mating Connector Lock Type = Screwlocks
- [PCB Mount Retention](#) = With
- [Grounded](#) = Yes
- Color = Black
- Shield Material = Die Cast Metal
- Screw Size = 4-40

Mechanical Attachment:

- [Panel Mount Retention](#) = With
- Panel Attachment Style = Rear Mount
- Plate Material = Polyester
- Comb Material = Polyester
- Bail-Clip Material = Stainless Steel
- Bail-Clip Finish = Passivated
- Ground Bracket Material = Carbon Steel

Electrical Characteristics:

- [Shielded](#) = Yes

Termination Features:

- Solder Tail Contact Plating = Tin

Body Features:

- Centerline (mm [in]) = 2.16 [0.085]
- [Number of Positions](#) = 50
- [PCB Mount Retention Type](#) = Boardlock(s)
- Shield Plating = Bright Nickel over Copper
- Ground Bracket Plating = Tin

Contact Features:

- [Contact Plating, Mating Area, Material](#) = Gold
- Contact Base Material = Copper Alloy

Housing Features:

- Connector Style = Receptacle
- Housing Material = Polyester

Industry Standards:

- [RoHS/ELV Compliance](#) = RoHS compliant, ELV compliant
- [Lead Free Solder Processes](#) = Wave solder capable to 260°C, Wave solder capable to 240°C, Wave solder capable to 265°C
- RoHS/ELV Compliance History = Always was RoHS compliant

Conditions for Usage:

- PCB Thickness, Recommended (mm [in]) = 1.57 [0.062]

Operation/Application:

- Application = SCSI

Other:

- Brand = AMP

Corporate Information

- [About TE](#)
- [Investors](#)
- [News Room](#)
- [Supplier Portal](#)
- [Careers](#)

Quick Links

- [Check Distributor Inventory](#)
- [Cross Reference Products](#)
- [Find Documents & Drawings](#)
- [Product Compliance Support Center](#)
- [Site Map](#)

Customer Support

- [Email or Chat With Us](#)
- [Find a Phone Number](#)
- [Search Knowledge Base](#)
- [Manage Your Account](#)

Keep Me Informed

Receive TE News, Events & Technology Updates

