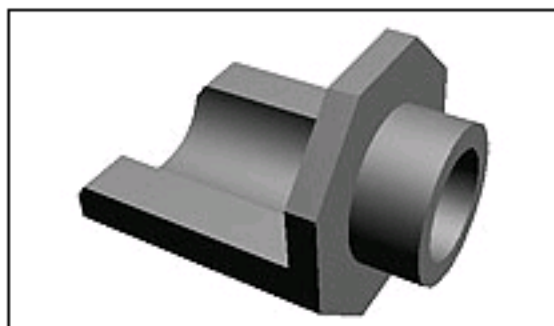




530721-1 Product Details

Share Print Email



530721-1

TE Internal Number: 530721-1

Active

View 3D PDF

.050, .075, .100 Box Connectors - Contacts and Accessories

Always EU RoHS/ELV Compliant (Statement of Compliance)

Product Highlights:

- Accessory
- Accessory Type = Keying Hardware
- Keying Hardware Type = External Key
- Packaging Method = Loose Piece
- For Use With 2-Row Pin Headers, For Use With 2-Row Right Angle Pin Headers, For Use With 2-Row Straddle Mount Pin Headers, For Use With 4-Row Right Angle Pin Headers

[View all Features](#)

Quick Links

- ▶ [Pricing & Availability](#)
- ▶ [Search for Tooling](#)
- ▶ [Product Feature Selector](#)
- ▶ [Contact Us About This Product](#)

[Add to My Part List](#) [Request Sample](#) [Find Similar Products](#) [Buy Product](#)

Documentation & Additional Information

Product Drawings:

- [EXTERNAL KEY, MINI-BOX, STANDARD \(PDF, English\)](#)

Catalog Pages/Data Sheets:

- None Available

Product Specifications:

- None Available

Application Specifications:

- None Available

Instruction Sheets:

- [AMP* 501 SERIES MINI-BOX CONNECTORS \(PDF, English\)](#)

CAD Files: (CAD Format & Compression Information)

- [2D Drawing \(DXF, Version D\)](#)
- [3D Model \(IGES, Version D\)](#)
- [3D Model \(STEP, Version D\)](#)

[List all Documents](#)

Additional Information:

- [Product Line Information](#)

Related Products:

- [Tooling](#)

Product Features (Please use the Product Drawing for all design activity)

Product Type Features:

- Product Type = Accessory
- Accessory Type = Keying Hardware

Body Features:

- Keying Hardware Type = External Key
- Key Material = Passivated Stainless Steel

Industry Standards:

- Government/Industry Qualification = Yes
- Government/Industry Part Number = M55302/31-06
- [RoHS/ELV Compliance](#) = RoHS compliant, ELV compliant
- [Lead Free Solder Processes](#) = Not relevant for lead free process
- RoHS/ELV Compliance History = Always was RoHS compliant

Conditions for Usage:

- For Use With = 2-Row Pin Headers, 2-Row Right Angle Pin Headers, 2-Row Straddle Mount Pin Headers, 4-Row Right Angle Pin Headers

Packaging Features:

- Packaging Method = Loose Piece

Other:

- Brand = AMP

Corporate Information

- [About TE](#)
- [Investors](#)
- [News Room](#)
- [Supplier Portal](#)
- [Careers](#)
- [Terms & Conditions](#)
- [Privacy Policy](#)

Quick Links

- [Distributor Inventory](#)
- [Product Cross Reference](#)
- [Documents & Drawings](#)
- [Product Compliance Support Center](#)
- [Site Map](#)

Customer Support

- [Email or Chat With Us](#)
- [Find a Phone Number](#)
- [Knowledge Base](#)
- [Manage Your Account](#)

Keep Me Informed

Receive TE News, Events & Technology Updates

Enter your email address

