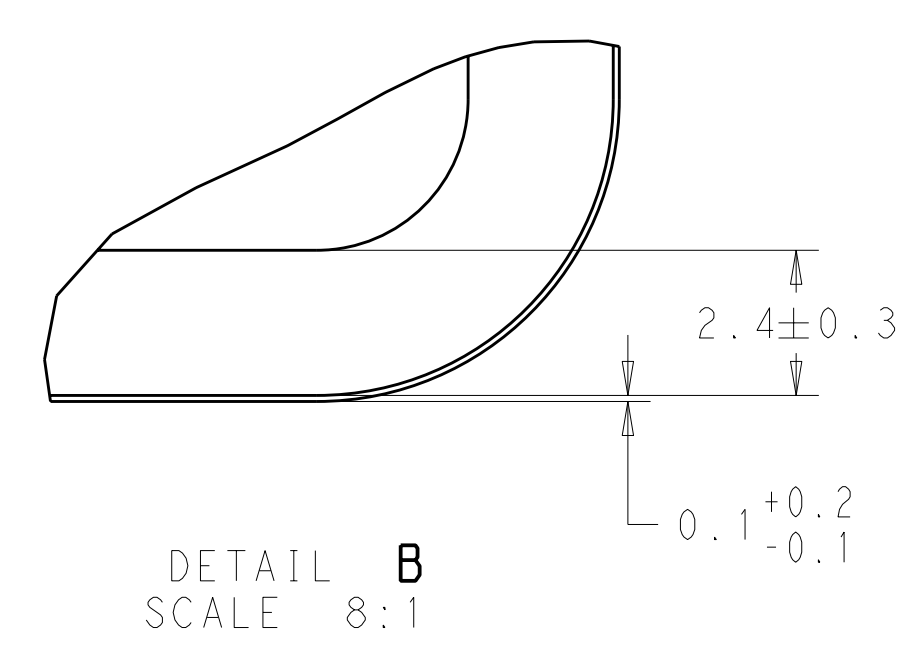
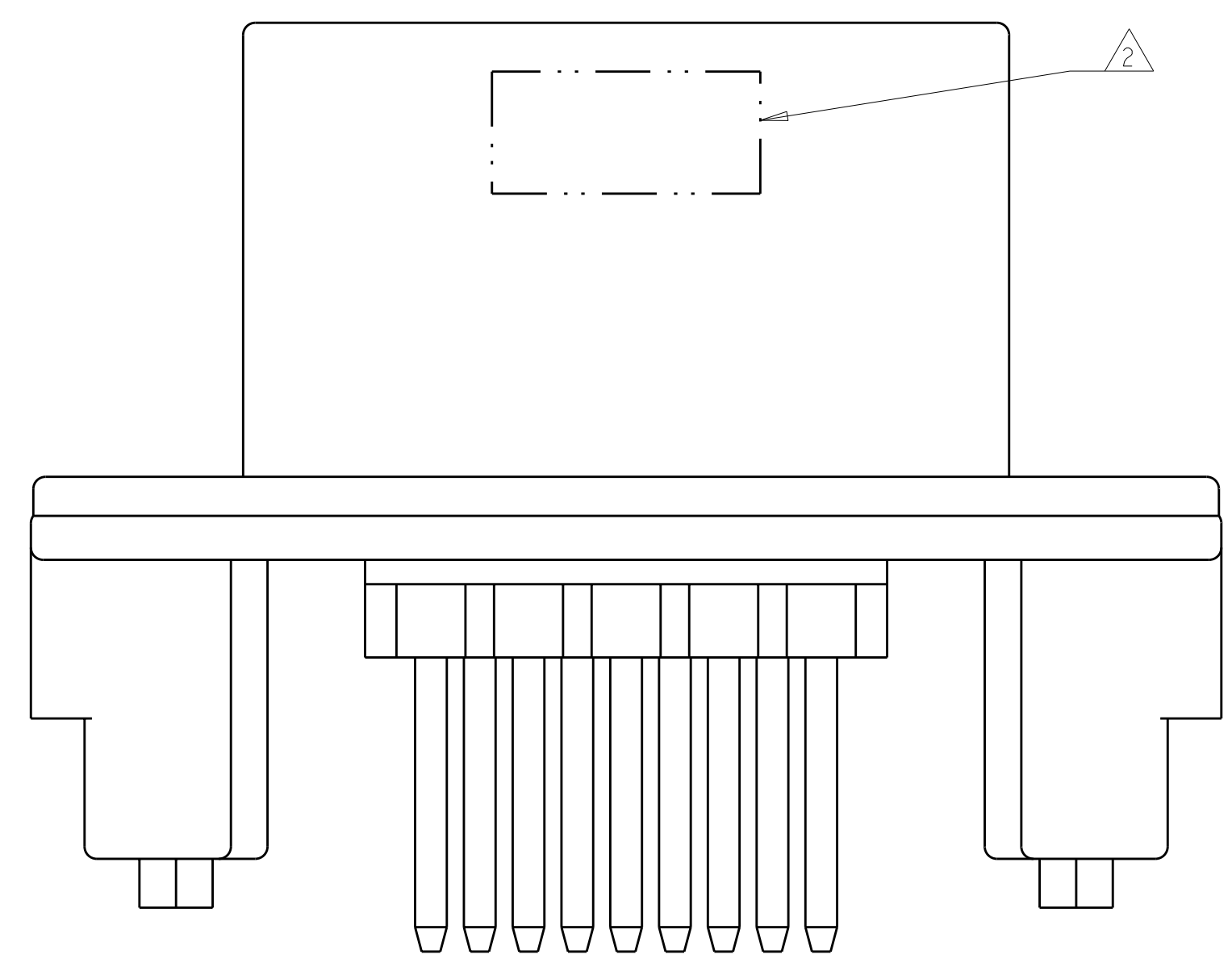
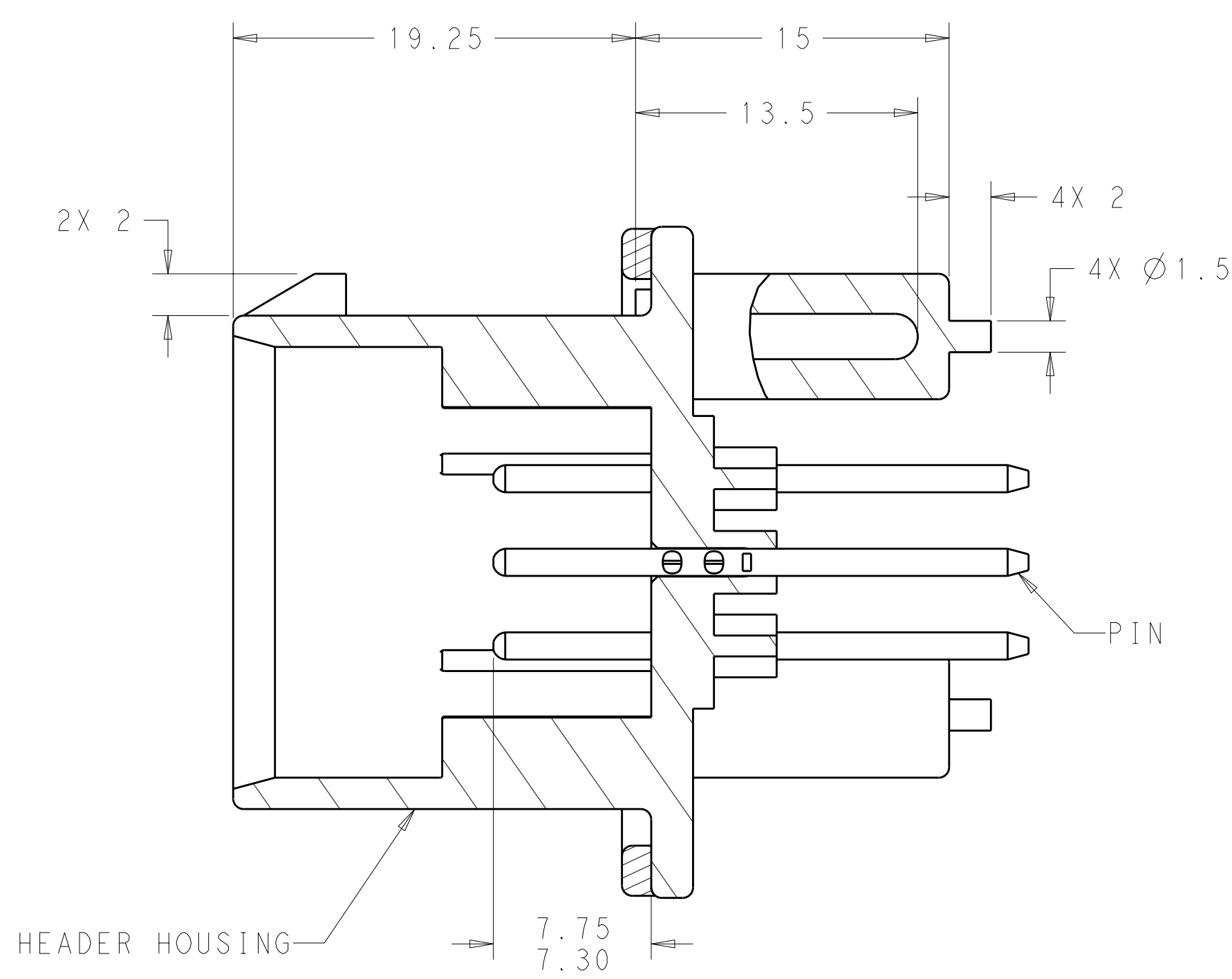
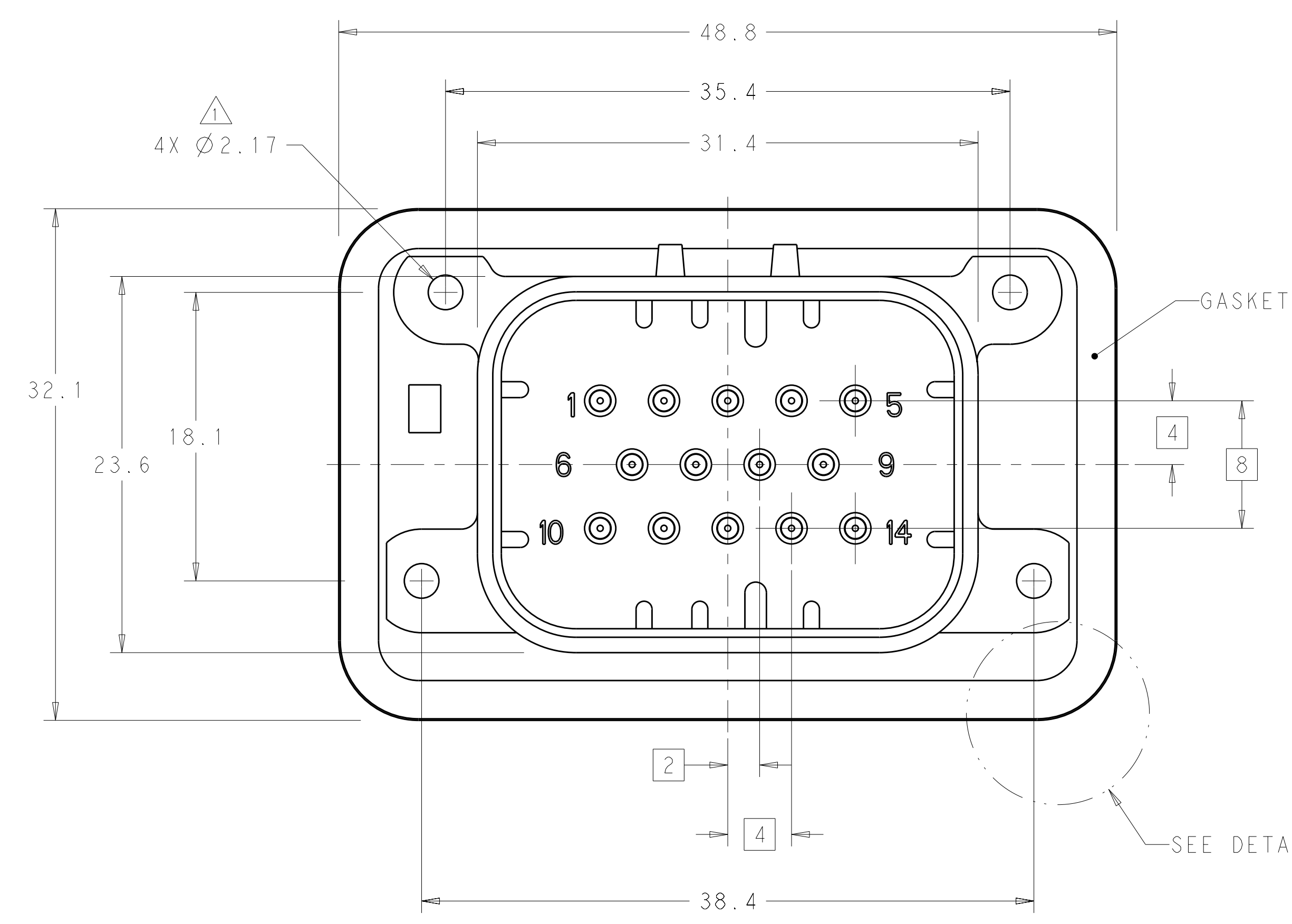


LOC	DIST	REVISIONS			
REV	DATE	DESCRIPTION	DATE	DWN	APVD
GE	00	A3	11MAR2011	RK	HMR

- 1 ACCEPTS #4 SELF TAPPING THREAD CUTTING SCREWS OR METRIC EQUIVALENT. DRIVE TO 0.6 N-m MAX
- 2 DATE CODE IN THIS LOCATION USING 5 DIGIT CODE FIRST 2 DIGITS = YEAR, SECOND 2 DIGITS = WEEK LAST DIGIT = DAY.
- 3 MATERIALS: HEADER HOUSING - GLASS FILLED PBT  
PINS - TIN OR GOLD PLATED BRASS  
GASKET - SILICONE
- 4 HOUSING COLORS ARE MECHANICALLY KEYPED TO MATE ONLY WITH IDENTICALLY COLORED PLUG ASSEMBLIES.
- 5. HEADER MATES TO PLUG ASSEMBLY 776273 WHICH USES REELED TERMINAL 770520 OR LOOSE PIECE TERMINAL 770854



776262-1 & 1-776262-1 SHOWN

HEADER COLOR	PLATING	PART NUMBER
BLUE	DURAGOLD	1-776262-5
GRAY	DURAGOLD	1-776262-4
NATURAL	DURAGOLD	1-776262-2
BLACK	DURAGOLD	1-776262-1
BLUE	TIN	776262-5
GRAY	TIN	776262-4
NATURAL	TIN	776262-2
BLACK	TIN	776262-1

THIS DRAWING IS A CONTROLLED DOCUMENT.

DWN: D. STRAUSSER 03MAR2010  
 CHK: D. STRAUSSER 22MAR2010  
 APVD: D. STRAUSSER 27APR2010

NAME: ASSEMBLY, HEADER, 14 POSITION, VERTICAL, AMPSEAL WITH FLANGE SEAL

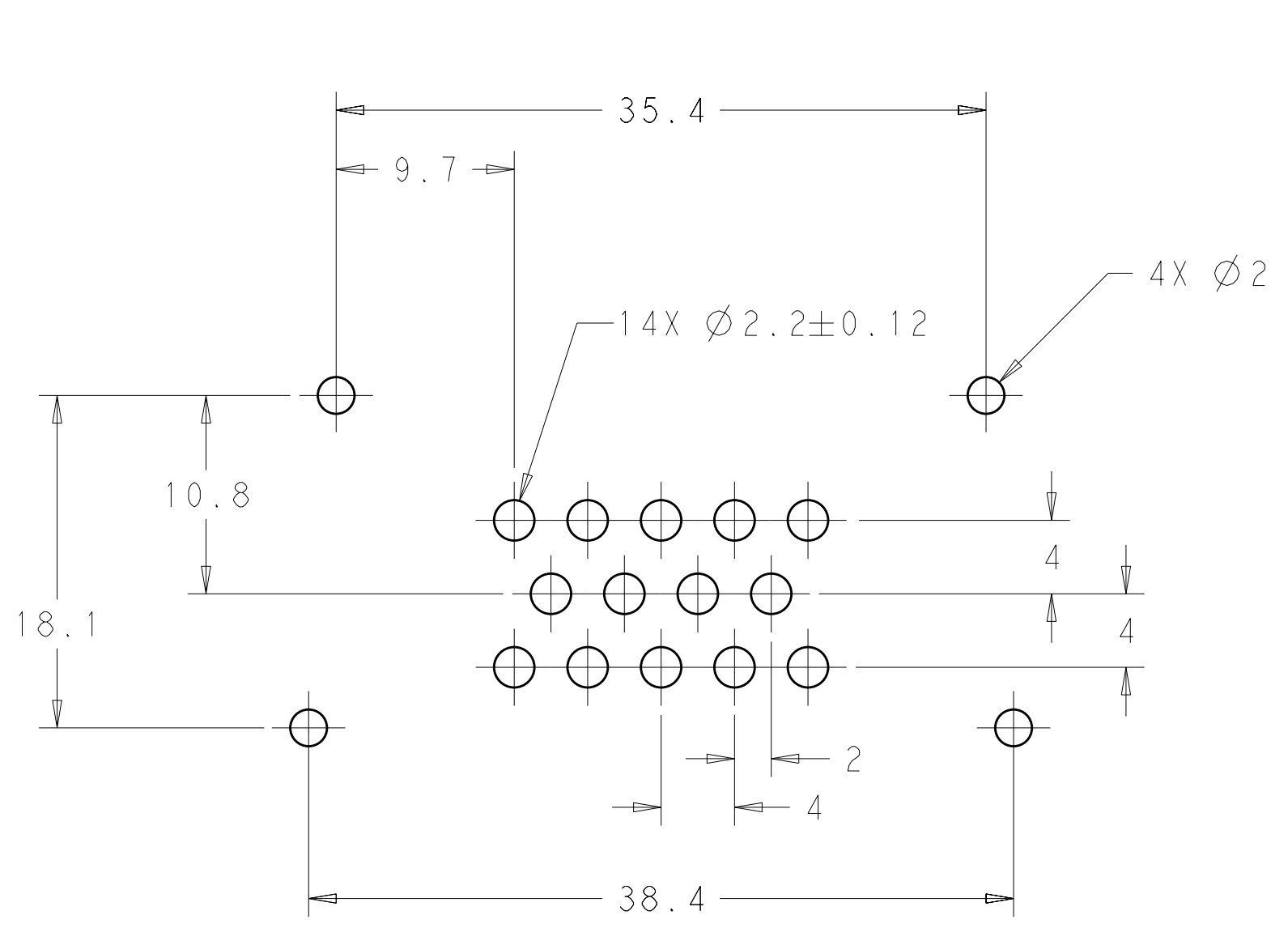
PRODUCT SPEC: 108-1329  
 APPLICATION SPEC: 114-16016

SIZE: A1 CAGE CODE: 100779 DRAWING NO: 776262

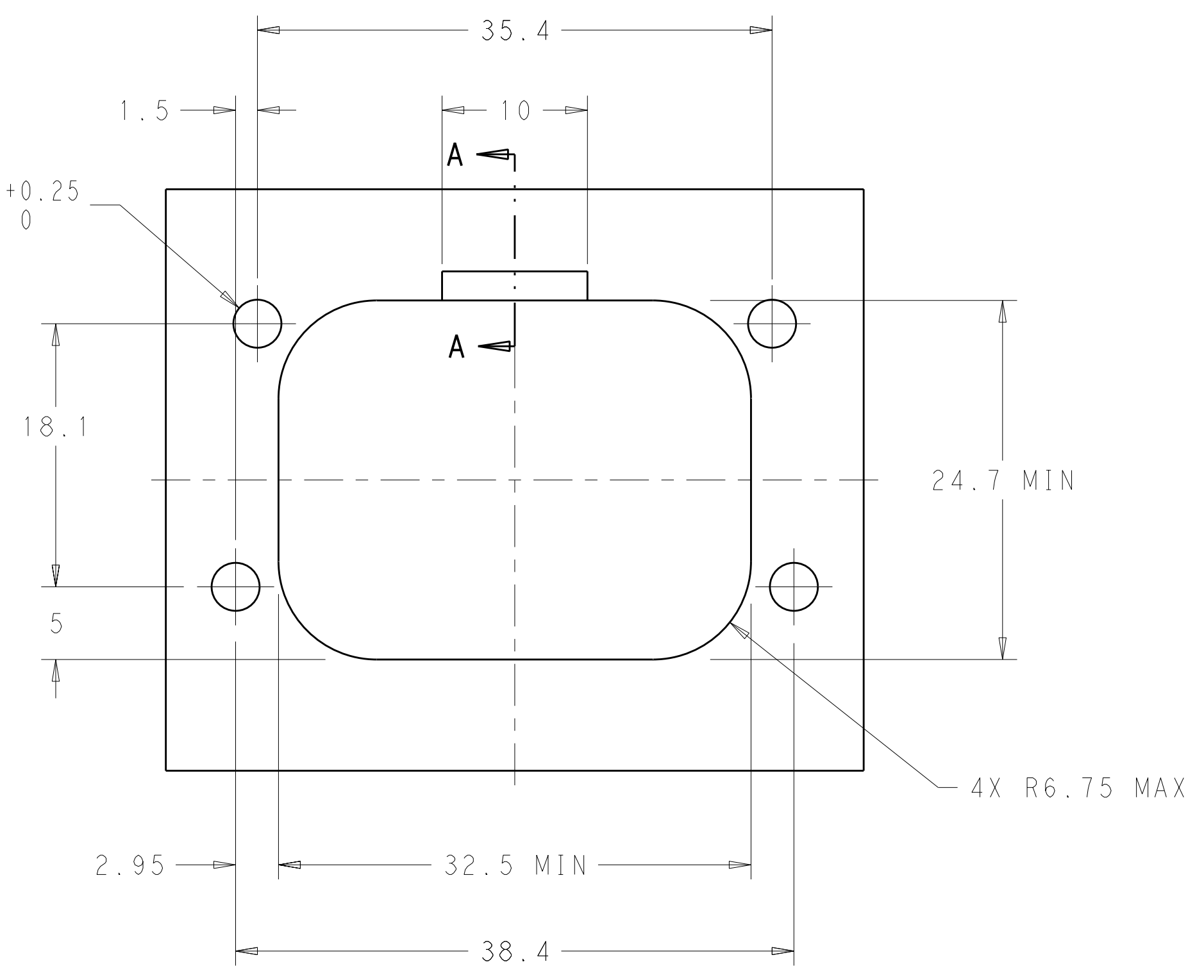
RESTRICTED TO: CUSTOMER DRAWING

SCALE: 4:1 SHEET: 1 OF 2 REV: A3

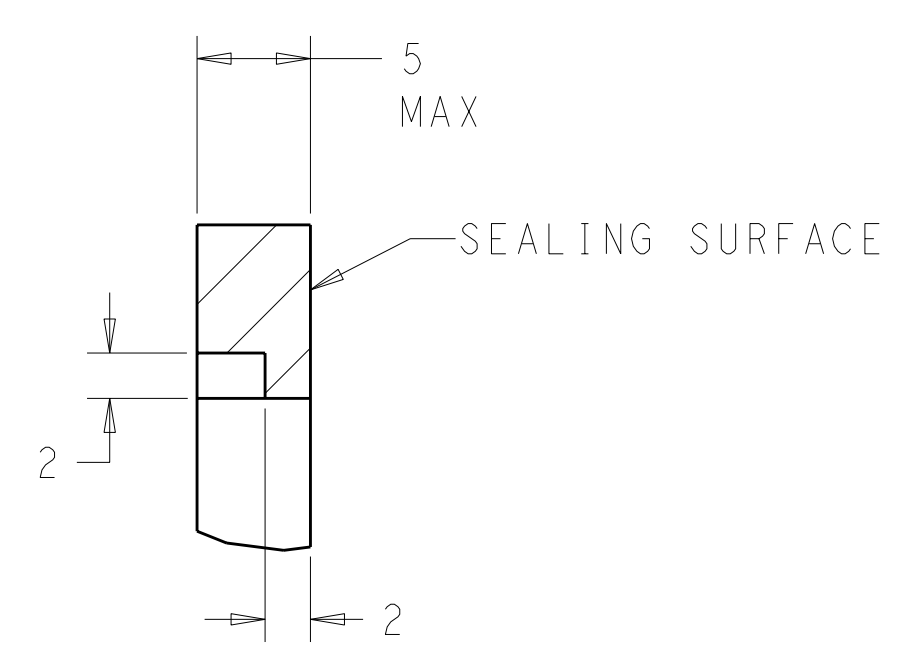
LOC	DIST	REV	DATE	BY	APPD
GE	00				
DESCRIPTION			DATE	BY	APPD
SEE SHEET 1					



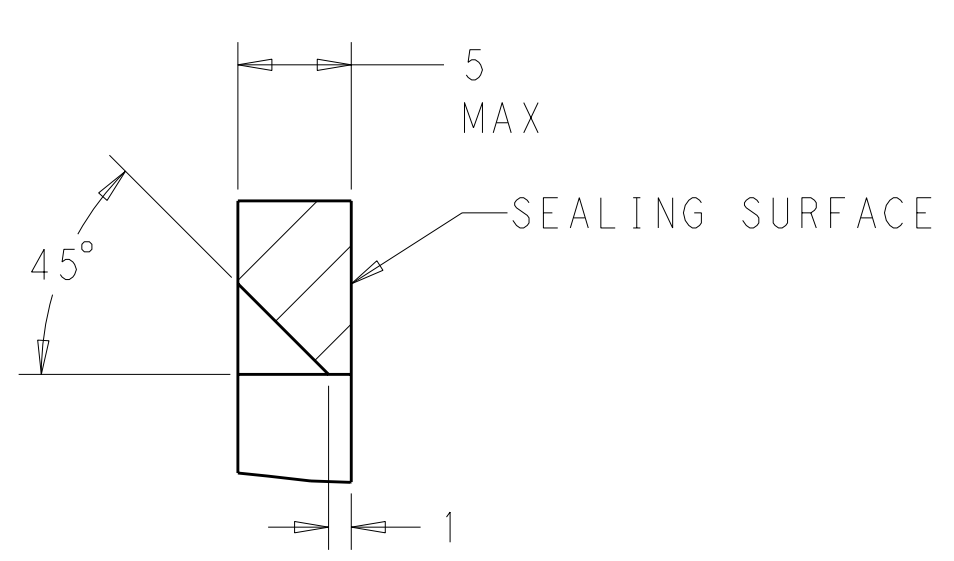
RECOMMENDED P.C. BOARD LAYOUT FOR 1.57 THICK P.C. BOARD



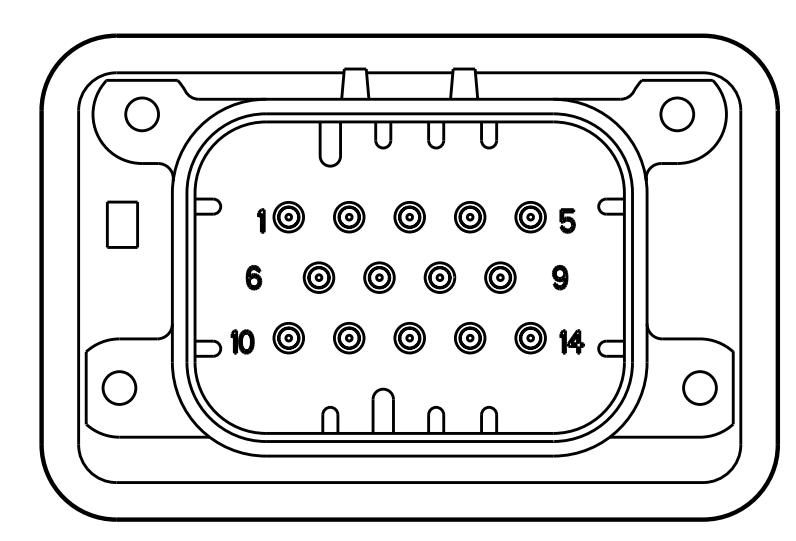
RECOMMENDED MOUNTING HOLE LAYOUT FOR 5.0 MAX THICK PANEL



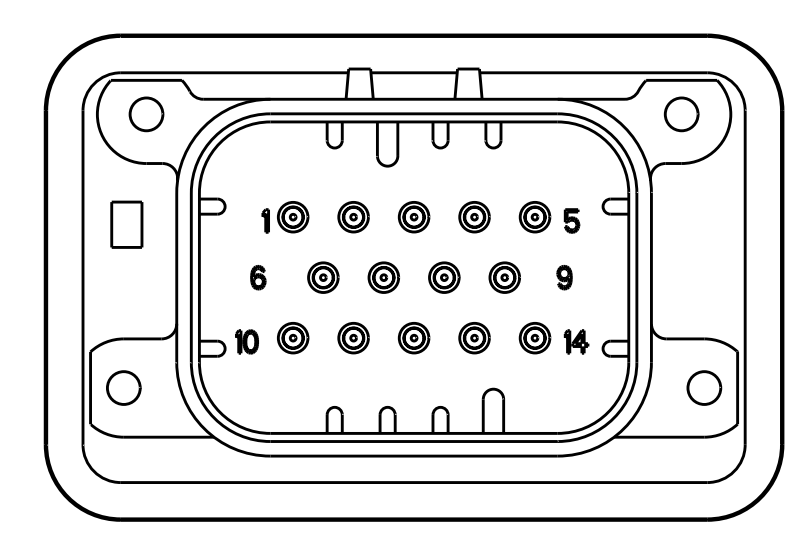
SECTION A-A  
 OPTIONAL CONSTRUCTION IF PANEL THICKNESS IS GREATER THAN 2.0



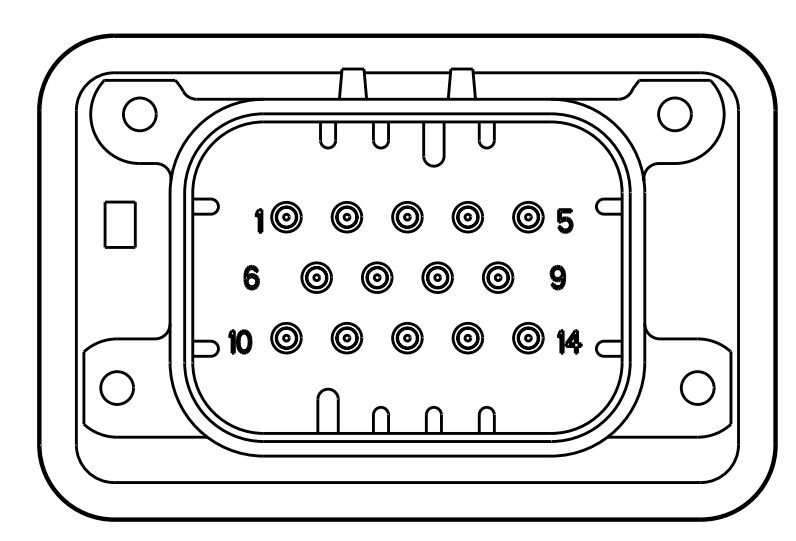
SECTION A-A  
 OPTIONAL CONSTRUCTION IF PANEL THICKNESS IS GREATER THAN 2.0



776262-2 & 1-776262-2  
 KEY LOCATION  
 SCALE 2:1



776262-4 & 1-776262-4  
 KEY LOCATION  
 SCALE 2:1



776262-5 & 1-776262-5  
 KEY LOCATION  
 SCALE 2:1

THIS DRAWING IS A CONTROLLED DOCUMENT.		OWN: D. STRAUSSER 03MAR2010	TE Connectivity														
DIMENSIONS: mm		CHK: D. STRAUSSER 22MAR2010															
TOLERANCES UNLESS OTHERWISE SPECIFIED:		APVD: D. STRAUSSER 27APR2010	NAME: ASSEMBLY, HEADER, 14 POSITION, VERTICAL, AMPSEAL WITH FLANGE SEAL														
<table border="1"> <tr><td>9 PLC</td><td>±</td></tr> <tr><td>1 PLC</td><td>±0.2</td></tr> <tr><td>2 PLC</td><td>±0.13</td></tr> <tr><td>3 PLC</td><td>±</td></tr> <tr><td>4 PLC</td><td>±</td></tr> <tr><td>ANGLES</td><td>±4°</td></tr> <tr><td>FINISH</td><td>-</td></tr> </table>		9 PLC	±	1 PLC	±0.2	2 PLC	±0.13	3 PLC	±	4 PLC	±	ANGLES	±4°	FINISH	-	PRODUCT SPEC: 108-1329	SIZE: CAGE CODE: DRAWING NO: A100779C-776262
9 PLC	±																
1 PLC	±0.2																
2 PLC	±0.13																
3 PLC	±																
4 PLC	±																
ANGLES	±4°																
FINISH	-																
MATERIAL: -		APPLICATION SPEC: 114-16016	RESTRICTED TO: -														
FINISH: -		WEIGHT: -	SCALE: 2:1 SHEET 2 OF 2 REV A3														
CUSTOMER DRAWING																	