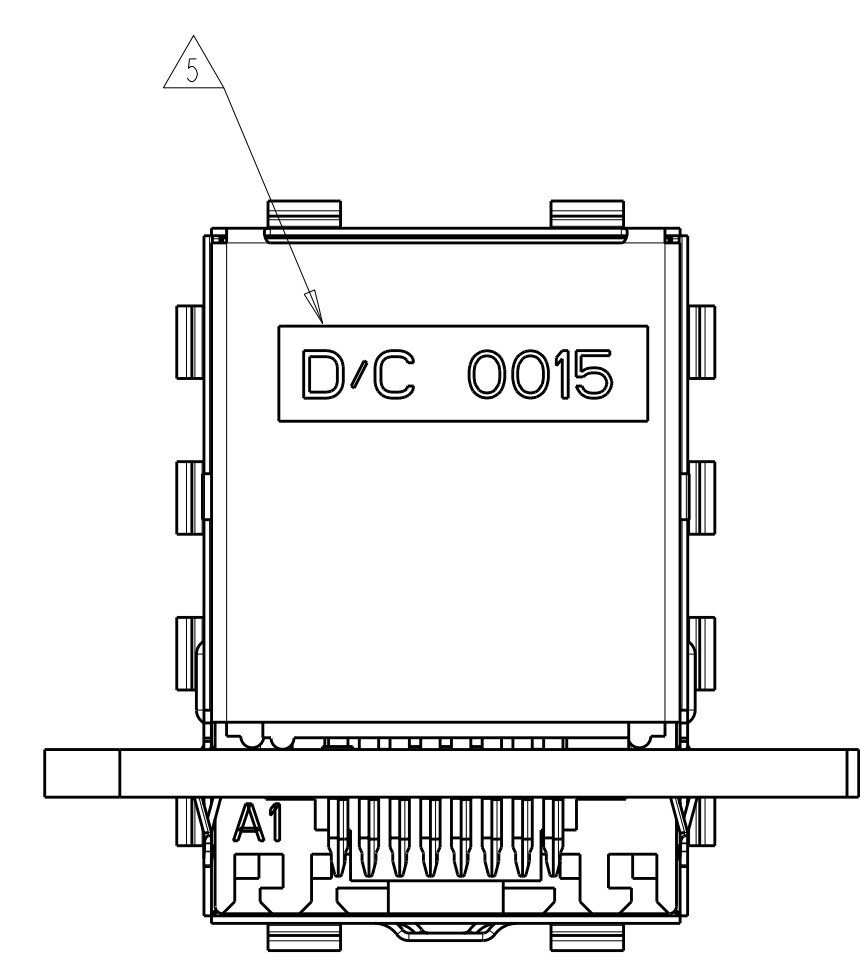
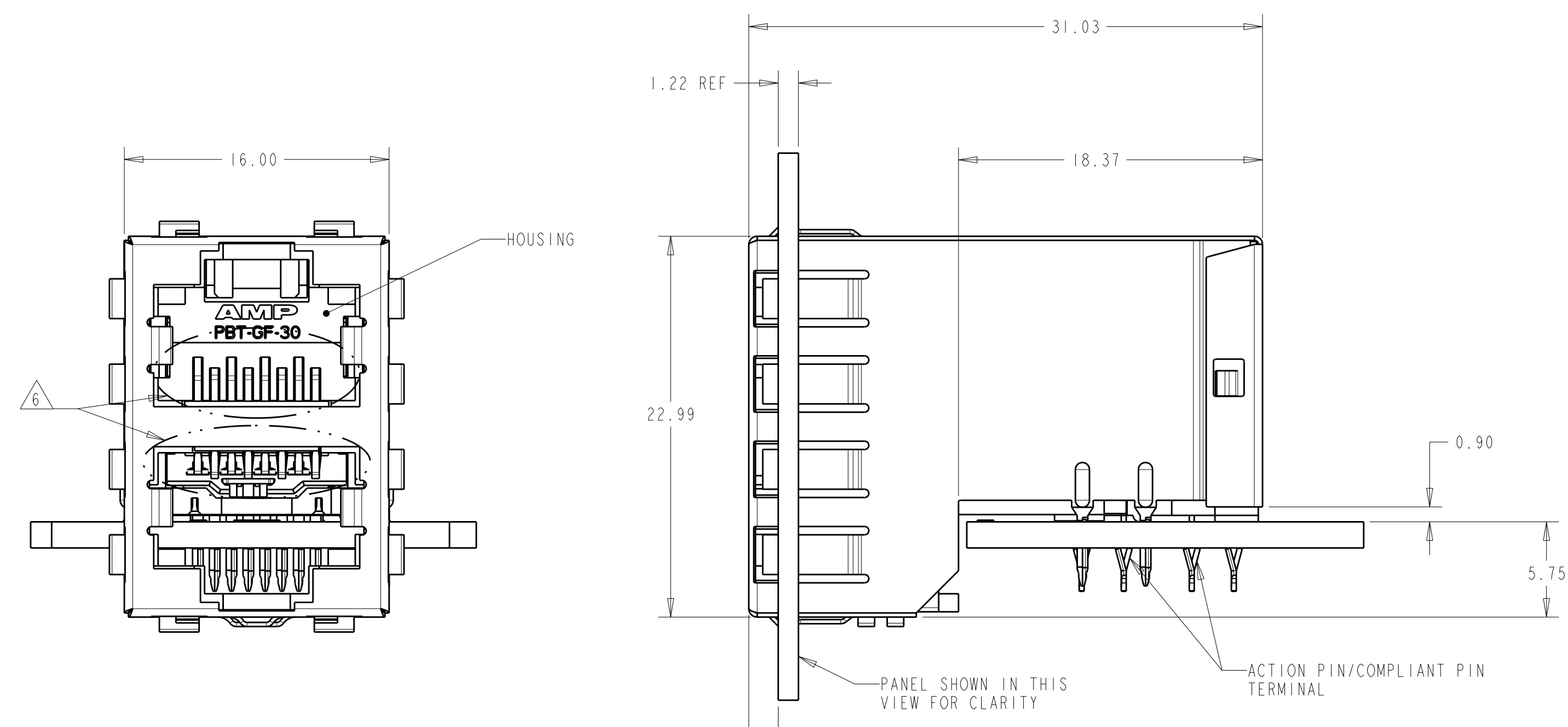
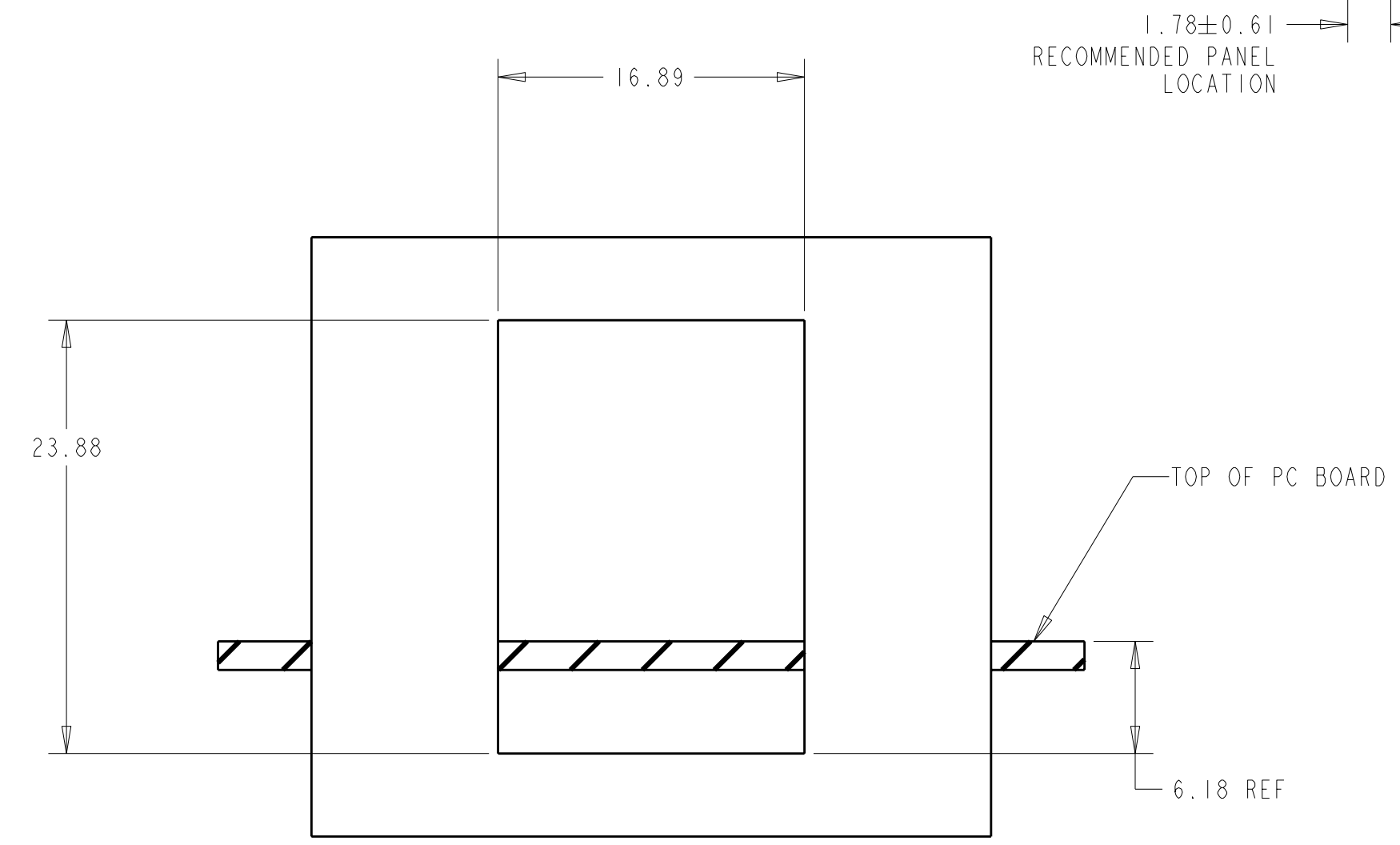


LOC	DIST	REV	DATE	BY	APPD
AA	00	F1	13FEB2012	JJ	AC



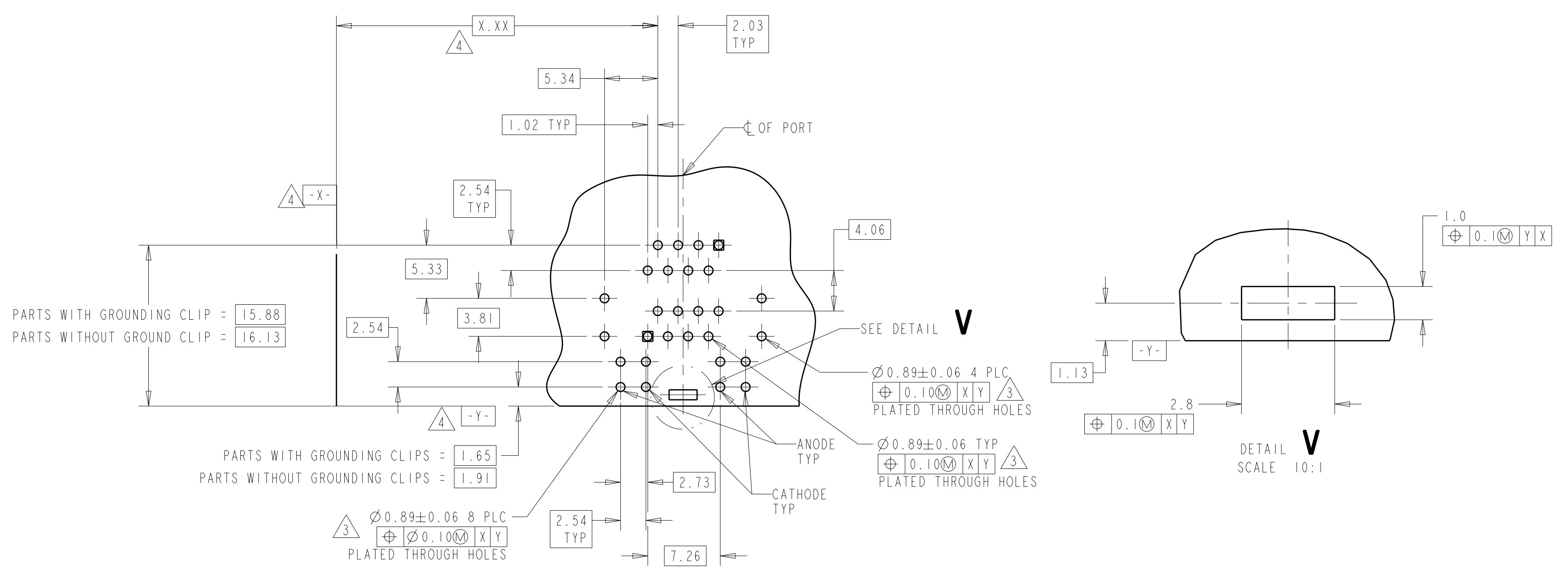
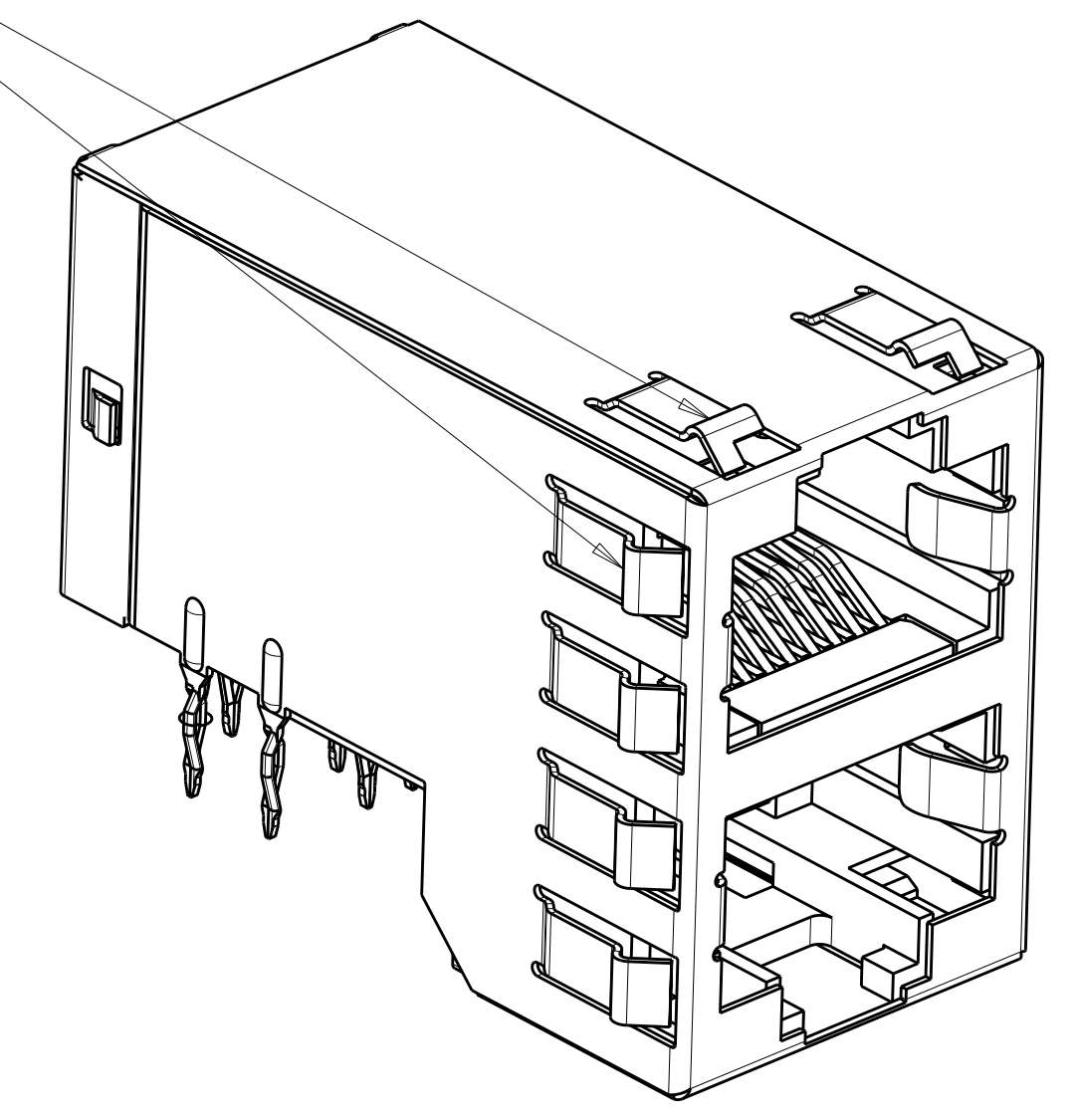
- MATERIAL:  
 HOUSING - PBT POLYESTER, BLACK, UL 94V-0  
 TERMINALS - 0.33 THICK PHOS BRONZE PLATED WITH 1.27um MINIMUM THICK HARD GOLD IN LOCALIZED AREA AND 2um MINIMUM THICK MATTE TIN IN ACTION PIN COMPLIANT PIN TERMINAL AREA OVER 1.27um MINIMUM THICK NICKEL UNDERPLATE  
 SHIELD - 0.25 THICK COPPER ALLOY PLATED WITH 2.03um MINIMUM BRIGHT TIN OVER 1.27um MINIMUM NICKEL  
 GROUNDING CLIP - 2.03 um MIN MATTE TIN OVER COPPER, PRE-PLATED COPPER ALLOY  
 LED - DIFUSED EPOXY LENS 2.29 um SILVER OVER NICKEL PRE-PLATED CARBON STEEL LEADS  
 ACTION PIN - COMPLIANT PIN CONTACTS 0.3 THICK BRASS PLATED WITH 2-4um BRIGHT TIN.
- JACK CAVITY CONFORMS TO FCC RULES AND REGULATIONS, PART 68 SUBPART F.
- DRILLED HOLE DIA = 1.020±0.025  
 COPPER THICKNESS = 0.025±0.075  
 TIN-LEAD THICKNESS = .008
- DATUMS AND BASIC DIMENSIONS ESTABLISHED BY CUSTOMER
- DATE CODE LOCATED ON REAR OF PART APPROXIMATELY AS SHOWN
- CONTACTS ARE NOT INTENDED TO BE ALIGNED WITH EACH OTHER
- OBsolete PARTS: OBSOLETE CIS STREAMLINING PER D.RENAUD/D.SINISI
- ONLY FOR 6368168-7, -8  
 CONTACT AREA LUBRICATED WITH BELLCORE APPROVED LUBRICANT TECHNICAL REFERENCE GR-1217-CORE ISSUE 1, NOVEMBER 1995.

## 6368168-1 SHOWN SHEET 1



RECOMMENDED PANEL CUT-OUT

SHIELD WITH NO LED CUTOUTS AND STANDARD PANEL GROUNDS



PC BOARD LAYOUT (COMPONENT SIDE)

LED #4	LED #3	LED #2	LED #1	GROUNDING CLIP	SHIELD STYLE	PART NUMBER
N/A	N/A	N/A	N/A	NO	WITHOUT LED PORTS	6368168-8
GREEN	GREEN	GREEN	GREEN	NO	WITH LED PORTS	6368168-7
GREEN	GREEN	YELLOW	YELLOW	YES	WITH LED PORTS	6368168-6
GREEN	GREEN	GREEN	GREEN	YES	WITH LED PORTS	6368168-5
YELLOW	YELLOW	GREEN	GREEN	YES	WITH LED PORTS	6368168-4
N/A	N/A	N/A	N/A	YES	WITHOUT LED PORTS	6368168-2
N/A	N/A	N/A	N/A	NO	WITHOUT LED PORTS	6368168-1

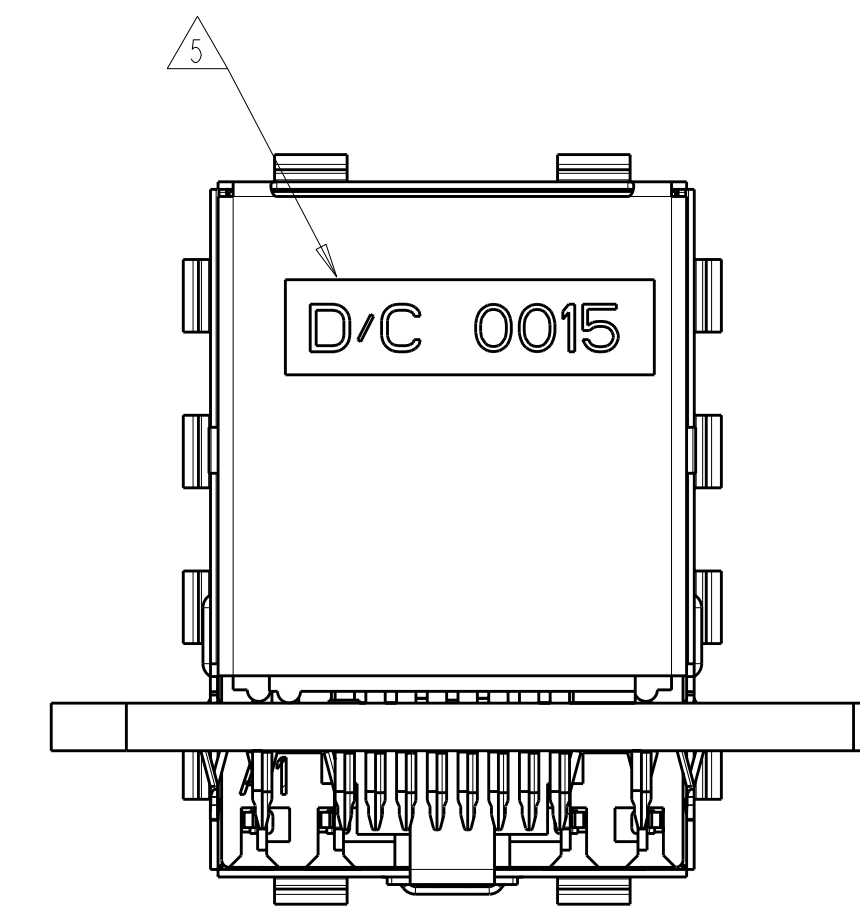
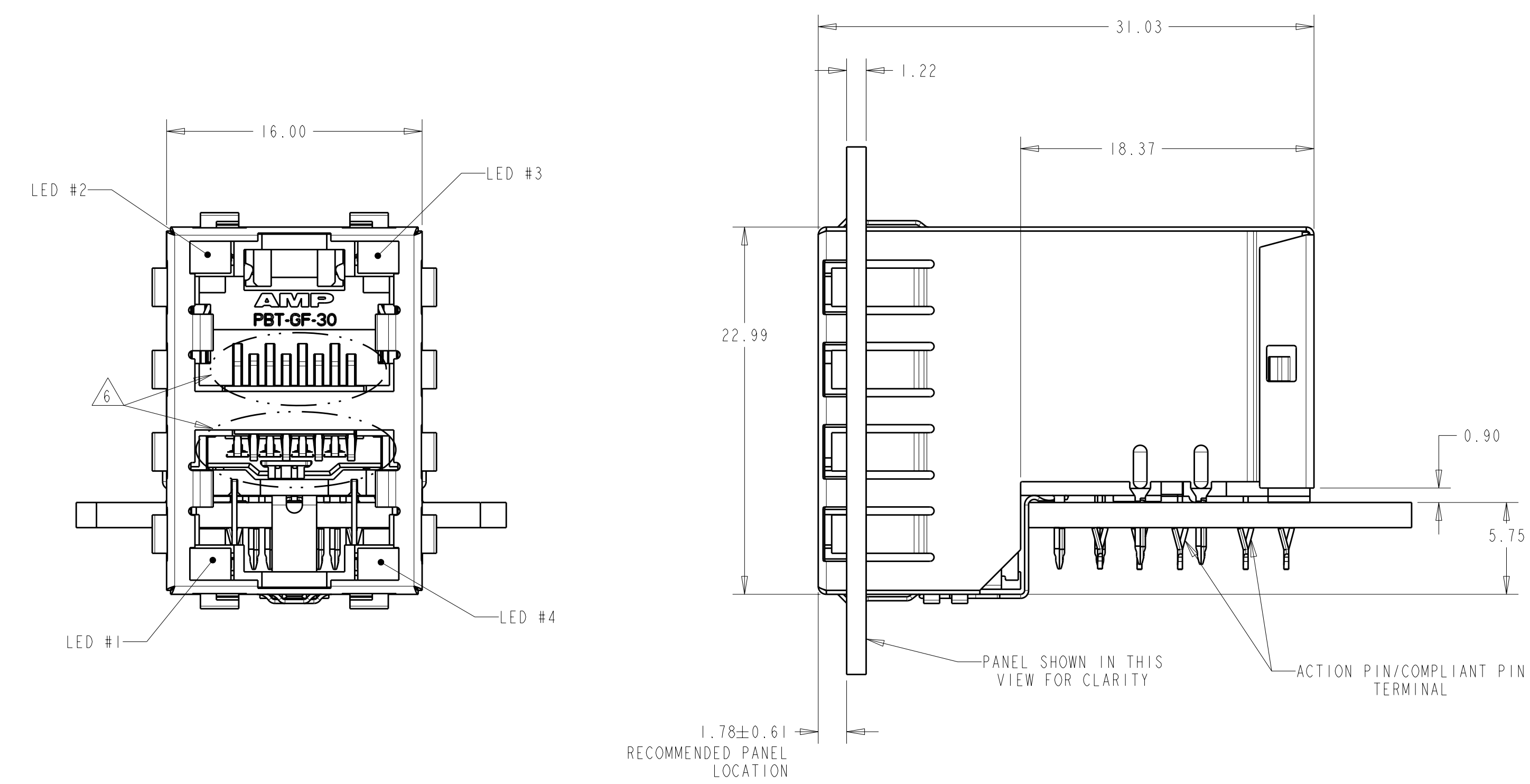
THIS DRAWING IS A CONTROLLED DOCUMENT.

DIMENSIONS: mm  
 TOLERANCES UNLESS OTHERWISE SPECIFIED:  
 9 PLC ±  
 1 PLC ±0.1  
 5 PLC ±0.13  
 4 PLC ±  
 ANGLES ±  
 FINISH SEE NOTE 1

DWG: A. FERNANDEZ-DOCK 28 JUL 2005  
 CHK: J. WESTMAN 28 JUL 2005  
 APVD: S. FLICKINGER 28 JUL 2005  
 NAME: STACKED MODULAR JACK ASSEMBLY, 2X1, 8 POSITION, SHIELDED PANEL GROUND, OFFSET, CAT 5  
 PRODUCT SPEC: 108-1854  
 APPLICATION SPEC: 114-2160  
 WEIGHT: -  
 CUSTOMER DRAWING

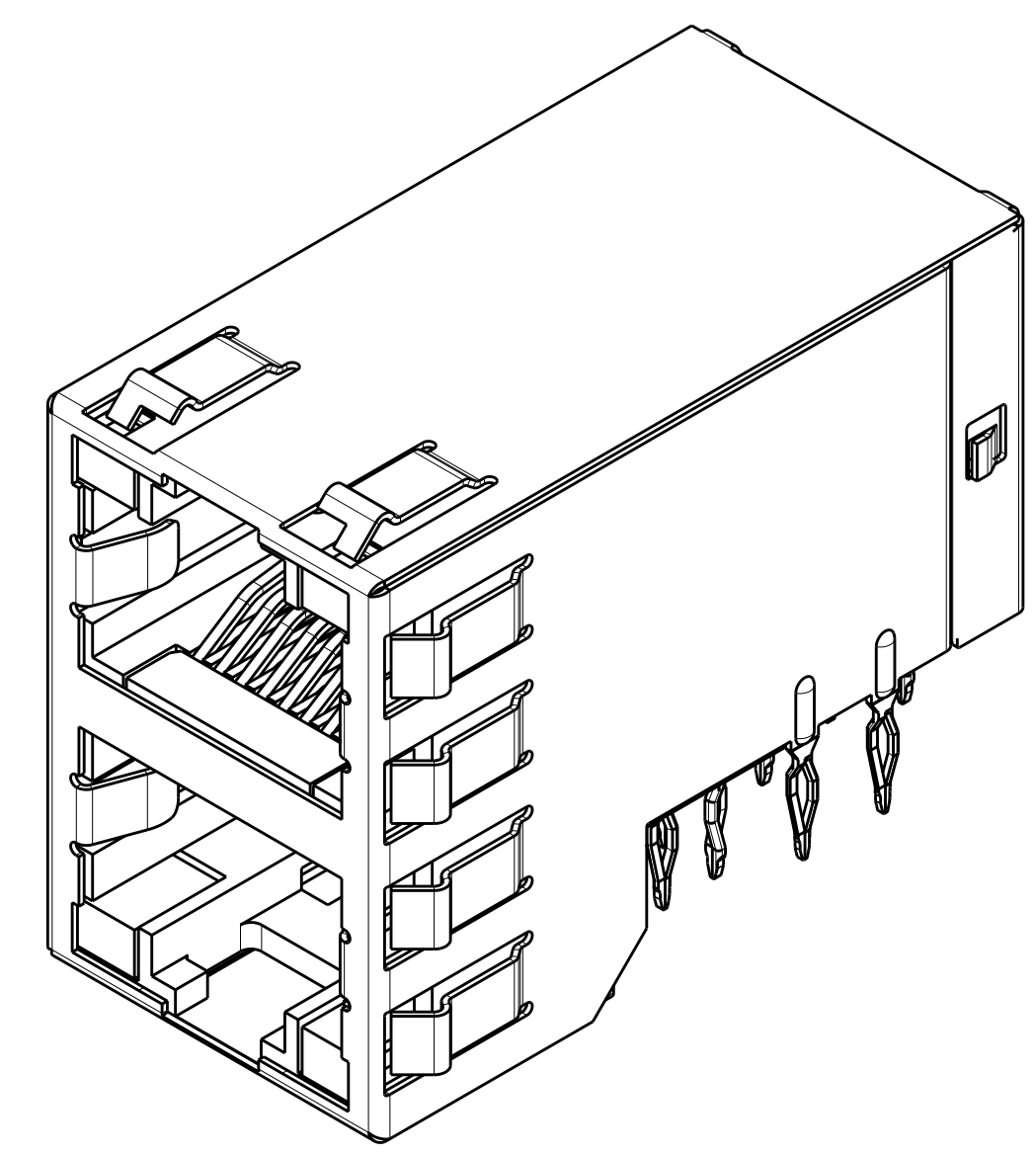
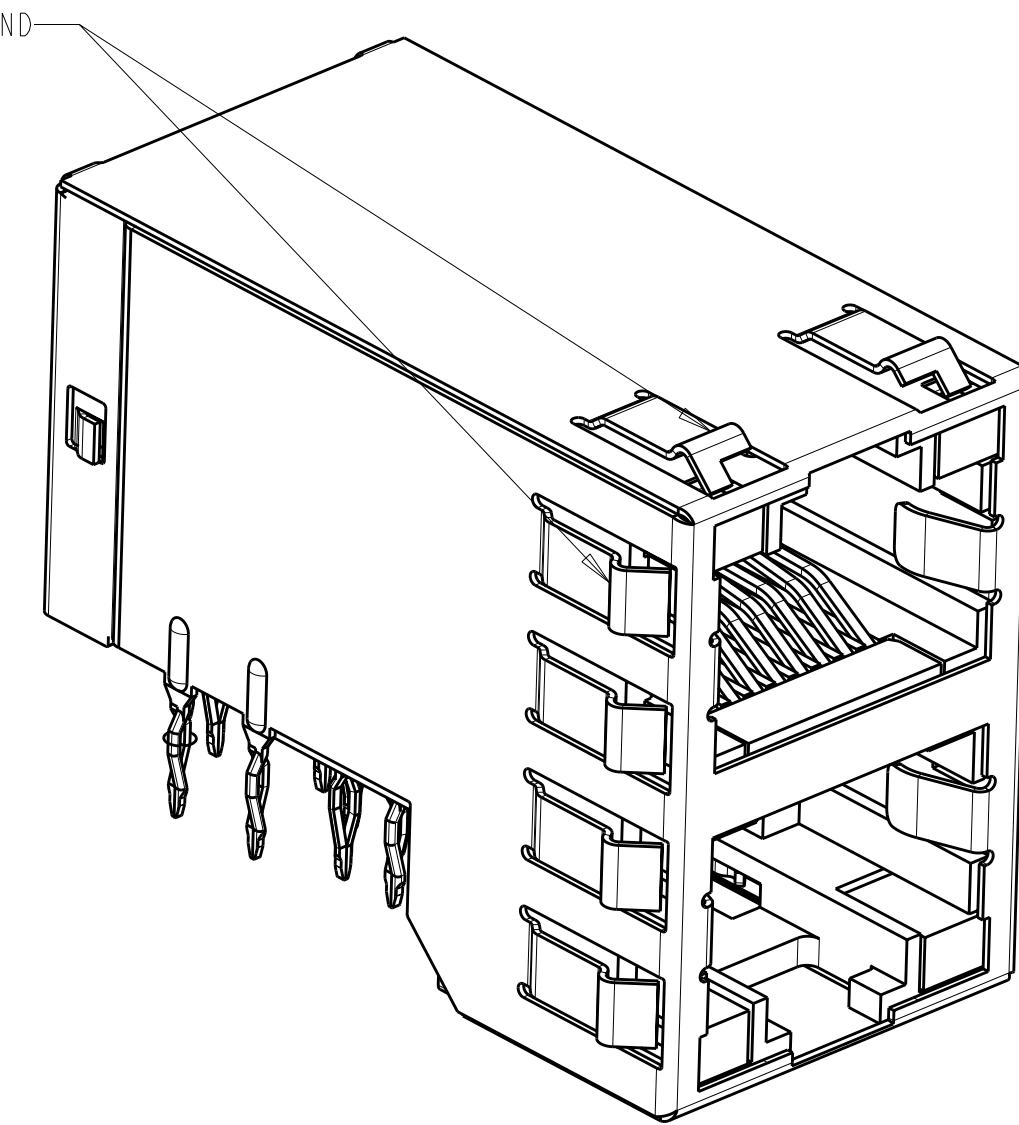
SCALE: 3:1  
 SHEET: 1 OF 2  
 REV: F1

LOC	DIST	REVISIONS			
REV	DATE	DESCRIPTION	DATE	OWN	APVD
AA	00	SEE SHEET 1			



**6368168-6 SHOWN SHEET 2**

SHIELD WITH LED CUTOUTS AND STANDARD PANEL GROUNDS



THIS DRAWING IS A CONTROLLED DOCUMENT.		OWN: 28 JUL 2005 A. FERNANDEZ-DOCK	TE Connectivity
DIMENSIONS: mm		CHK: 28 JUL 2005 J. WESTMAN	
TOLERANCES UNLESS OTHERWISE SPECIFIED:		APVD: 28 JUL 2005 S. FLICKINGER	NAME: STACKED MODULAR JACK ASSEMBLY, 2X1, 8 POSITION, SHIELDED PANEL GROUND, OFFSET, CAT 5
0 PLC ± 1 PLC ± 2 PLC ±0.1 3 PLC ±0.13 4 PLC ± ANGLES ±		PRODUCT SPEC: 108-1854	SIZE: A1
MATERIAL: SEE NOTE 1		APPLICATION SPEC: 114-2160	CAGE CODE: 00779
FINISH: SEE NOTE 1		WEIGHT: -	DRAWING NO: C-6368168
		CUSTOMER DRAWING	RESTRICTED TO: -
		SCALE: 3:1	SHEET: 2 OF 2
			REV: -