

THIS DRAWING IS UNPUBLISHED. RELEASED FOR PUBLICATION
 © COPYRIGHT BY TYCO ELECTRONICS CORPORATION. ALL RIGHTS RESERVED.

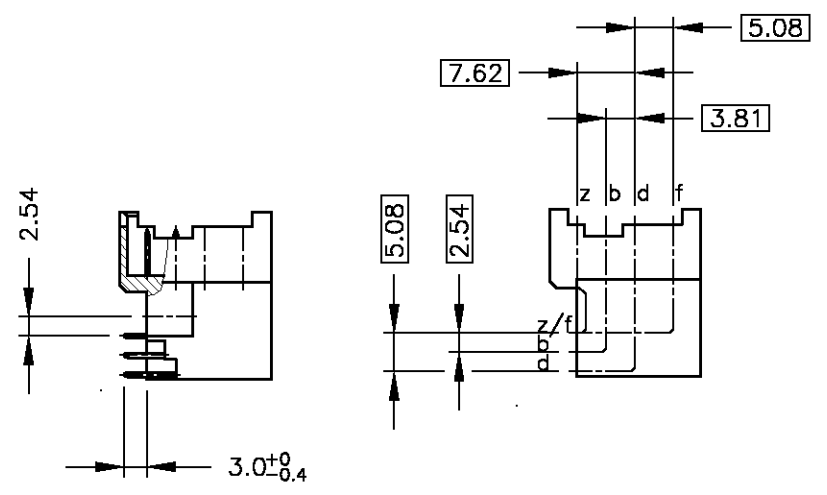
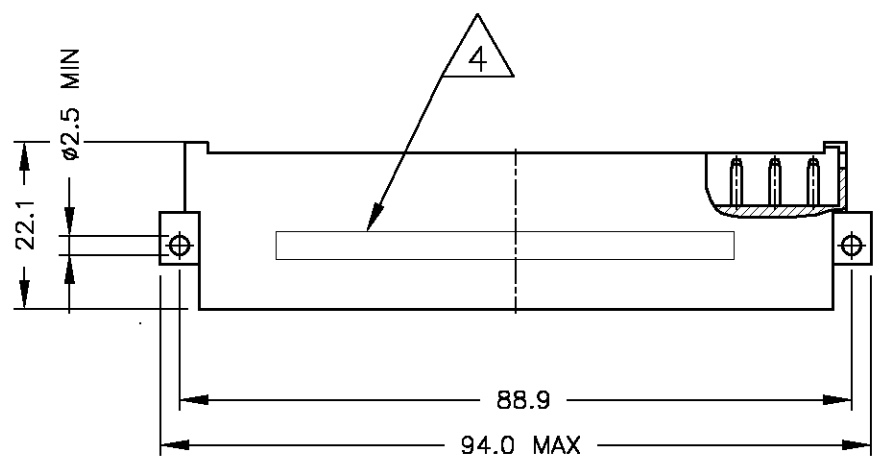
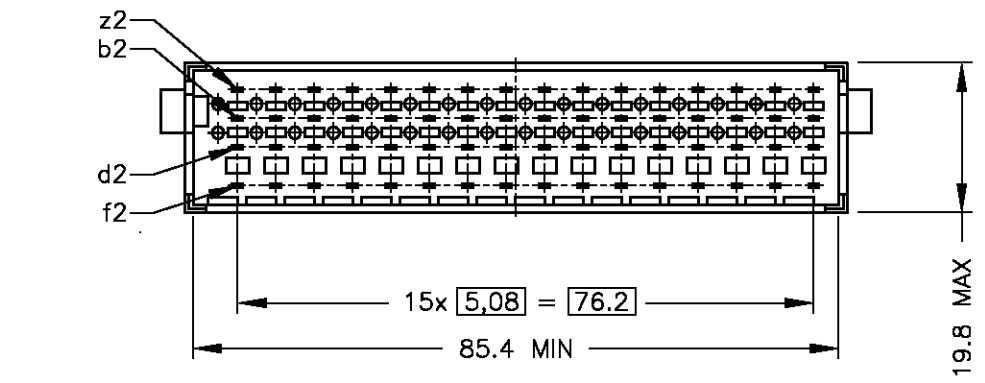
LOC	DIST	REVISIONS					
H	-	P	LTR	DESCRIPTION	DATE	DWN	APVD
		A1		ECR-07-024622	16OCT2007	JvH	BM

- NOTES:
- HOUSING: GLASS FILLED THERMOPLASTIC UL 94 V-0 RATED; GREY
 - CONTACTS: COPPER ALLOY
 - PLATING:
 CONTACT AREA: PERFORMANCE LEVEL 1 OR 2 (SEE TABLE)
 ACCORDING TO DIN 41612 AND EN 60603-2, TYPE G
 SOLDERING AREA: 3-7µm TIN OVER 0,8µm NICKEL
 CONNECTOR IS PRINTED WITH PARTNUMBER AND DATECODE
 PART IDENTICAL TO 5-9



P/N	PERF.LVL	CONTACT ASSIGNMENT																								POS										
		1								2								3																		
		1	2	3	4	5	6	7	8	9	0	1	2	3	4	5	6	7	8	9	0	1	2	1	2	3	4	5	6	7	8	9	0	1	2	
4-2	1																																			
5-9	2	z	+	+	+	+	+	+	+	+	+	+	+	+	+	+	+	+	+	+	+	+	+	+	+	+	+	+	+	+	+	+	+	+	64	
6-0	2	b	+	+	+	+	+	+	+	+	+	+	+	+	+	+	+	+	+	+	+	+	+	+	+	+	+	+	+	+	+	+	+	+		
		d	+	+	+	+	+	+	+	+	+	+	+	+	+	+	+	+	+	+	+	+	+	+	+	+	+	+	+	+	+	+	+	+		
		f	+	+	+	+	+	+	+	+	+	+	+	+	+	+	+	+	+	+	+	+	+	+	+	+	+	+	+	+	+	+	+	+		
4-4	1																																			
6-1	2	z	v	+	+	+	+	+	+	+	+	+	+	+	+	+	+	+	+	+	+	+	+	+	+	+	+	+	+	+	+	+	+	+	64	
		b	v	+	+	+	+	+	+	+	+	+	+	+	+	+	+	+	+	+	+	+	+	+	+	+	+	+	+	+	+	+	+	+		
		d	+	+	+	+	+	+	+	+	+	+	+	+	+	+	+	+	+	+	+	+	+	+	+	+	+	+	+	+	+	+	+	+		
		f	+	+	+	+	+	+	+	+	+	+	+	+	+	+	+	+	+	+	+	+	+	+	+	+	+	+	+	+	+	+	+	+		

+ CONTACT
 v PREMATING CONTACT 1,3mm



THIS DRAWING IS A CONTROLLED DOCUMENT.		DWN	J.van Hoek	05OCT2007	Tyco Electronics Corporation 's-Hertogenbosch, Nederland										
DIMENSIONS: mm		CHK	B.Mooij	16OCT2007	NAME EUROCARD MALE CONNECTOR TYPE G 64 POS. ANGLED										
TOLERANCES UNLESS OTHERWISE SPECIFIED: 0 PLC ± - 1 PLC ± - 2 PLC ± - 3 PLC ± - 4 PLC ± - ANGLES ± -		APVD	J.Broeksteeg	16OCT2005	PRODUCT SPEC APPLICATION SPEC										
MATERIAL		WEIGHT		RESTRICTED TO											
FINISH		CUSTOMER DRAWING		SIZE	A3	CAGE CODE	00779	DRAWING NO	C-4-1393755-2	SCALE	1:1	SHEET	1 OF 1	REV	A1