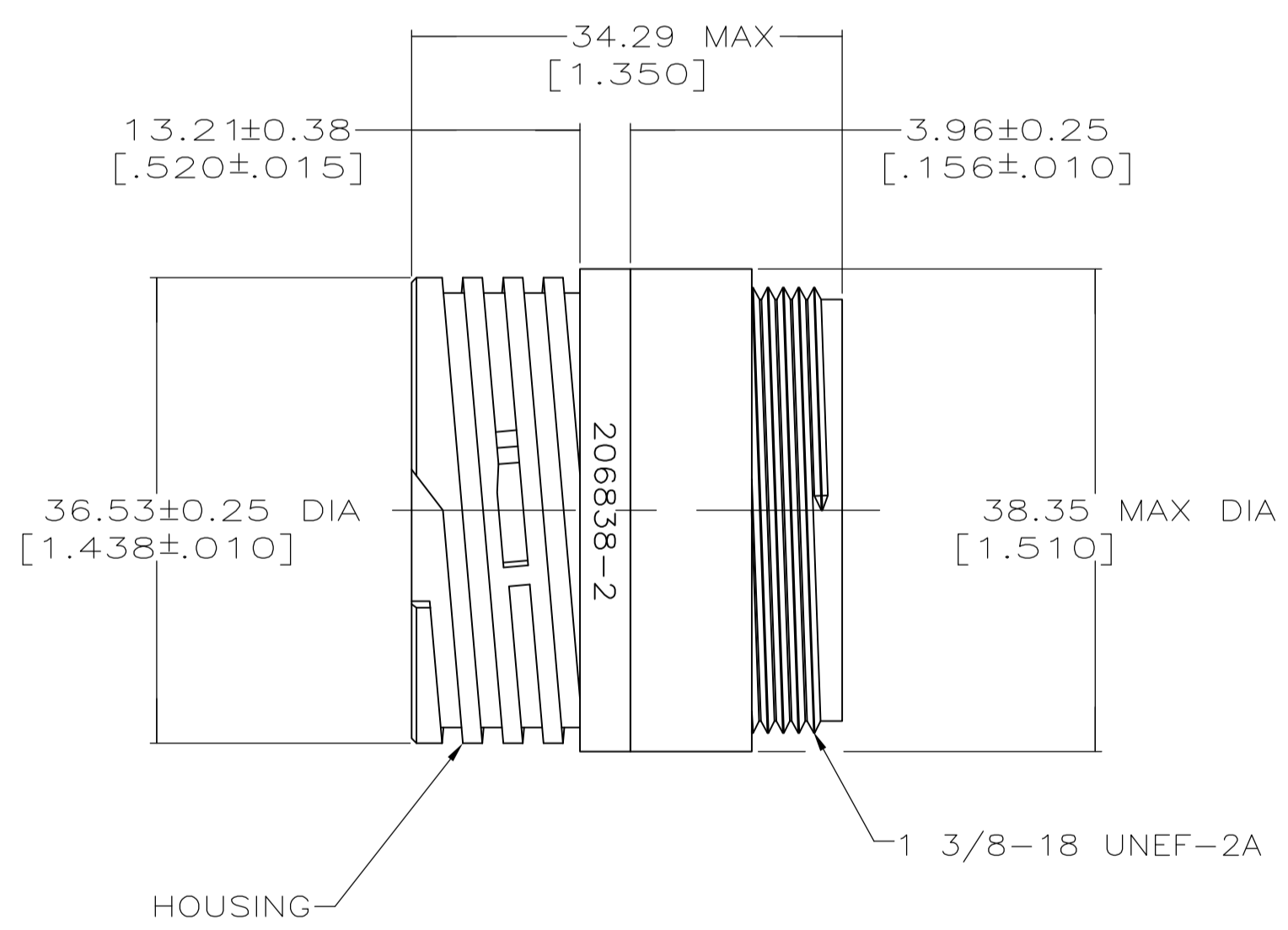
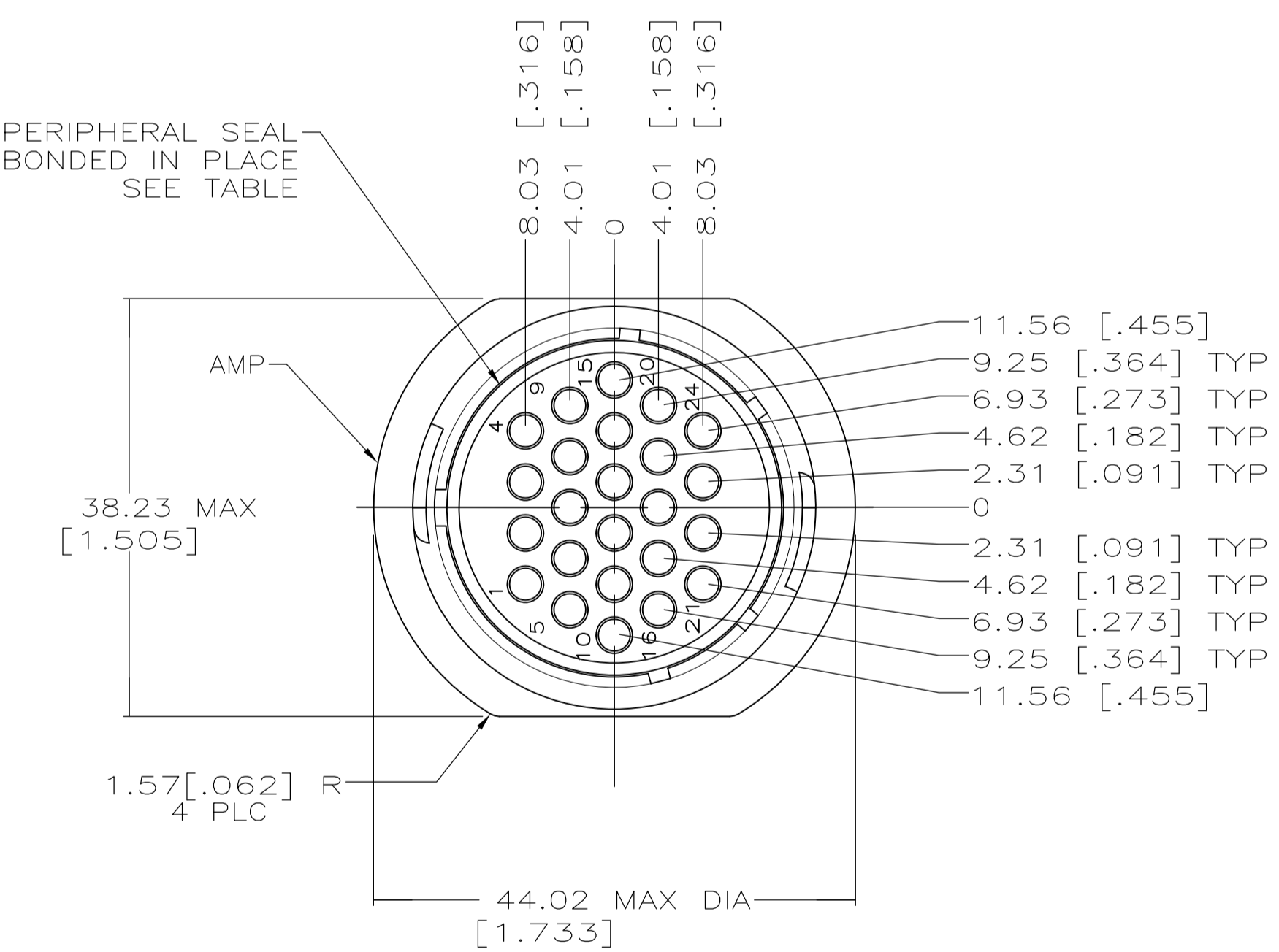


DETAIL A



DETAIL B

1. CAVITY IDENTIFICATION ON FRONT AND REAR FACE.
2. WILL ACCEPT (24) MULTIMATE PIN CONTACTS.
3. NO 4 FASTENER RECOMMENDED FOR MOUNTING.
4. MAXIMUM INSULATION NOT TO EXCEED .150 DIA.
5. WHITE DOT NEAR POSITION 1 ON WIRE ENTRY FACE.

STANDARD	YES	A	206838-8
STANDARD	YES	A	206838-7
SMALL PACK	NO	A	206838-5
STANDARD	YES	B	206838-4
STANDARD	YES	A	206838-3
STANDARD	NO	B	206838-2
STANDARD	NO	A	206838-1
PACKAGING	PERIPHERAL SEAL	SEE DETAIL	PART NUMBER

THIS DRAWING IS A CONTROLLED DOCUMENT.

DIMENSIONS:	TOLERANCES UNLESS OTHERWISE SPECIFIED:	DIN	10/29/92
mm [INCHES]		D. GELTZ	08/11/93
0 PLC ± -		CHK	R. STONE
1 PLC ± -		APVD	-
2 PLC ± 0.13 [.005]		NAME	-
3 PLC ± -		PRODUCT SPEC	108-10024
4 PLC ± -		APPLICATION SPEC	-
ANGLES ± -		SIZE	CAGE CODE DRAWING NO
		WEIGHT	A1 00779 C=206838
MATERIAL:	FINISH	CUSTOMER DRAWING	SCALE 2:1 SHEET 1 OF 1 REV K2
HOUSING: NYLON, BLACK	-		

STE TE Connectivity
RECEPTACLE HOUSING, STANDARD
SEX, SHELL SIZE 23, CPC