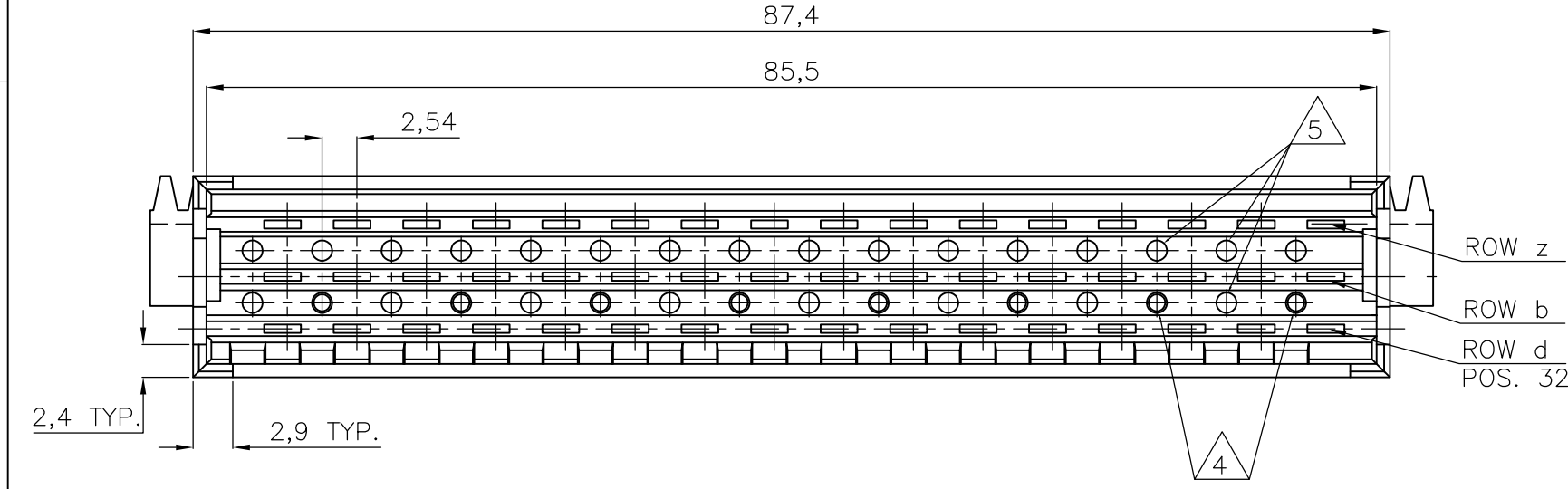
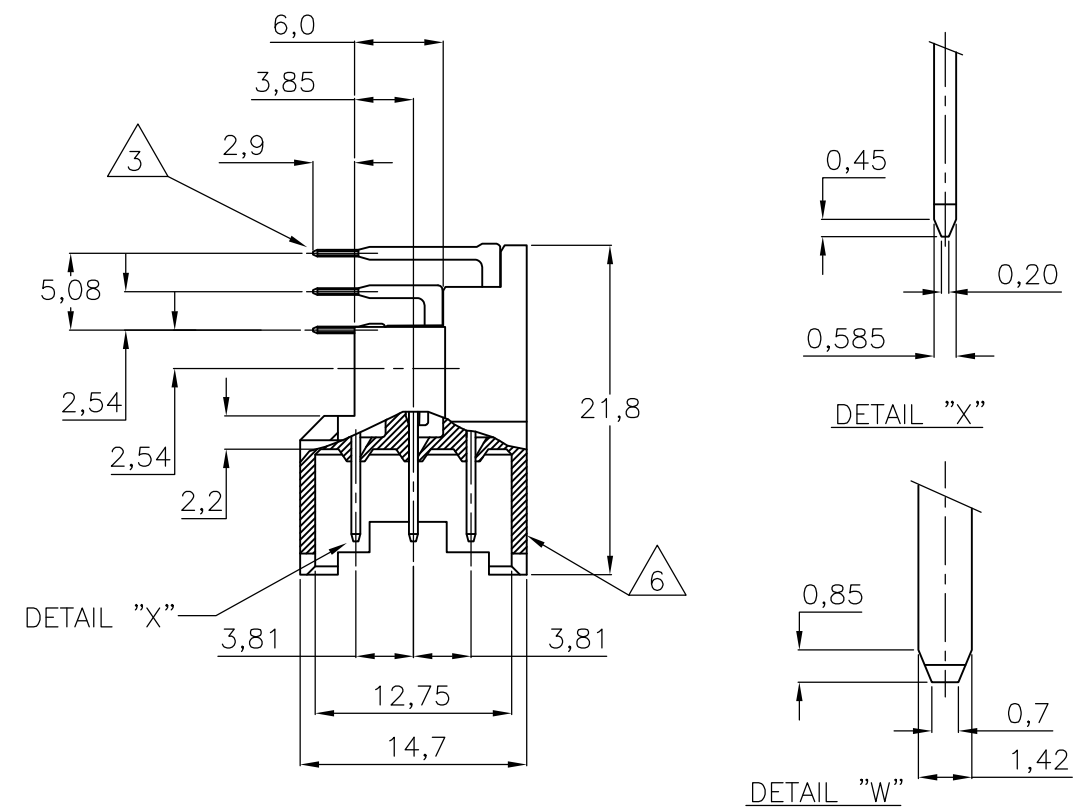
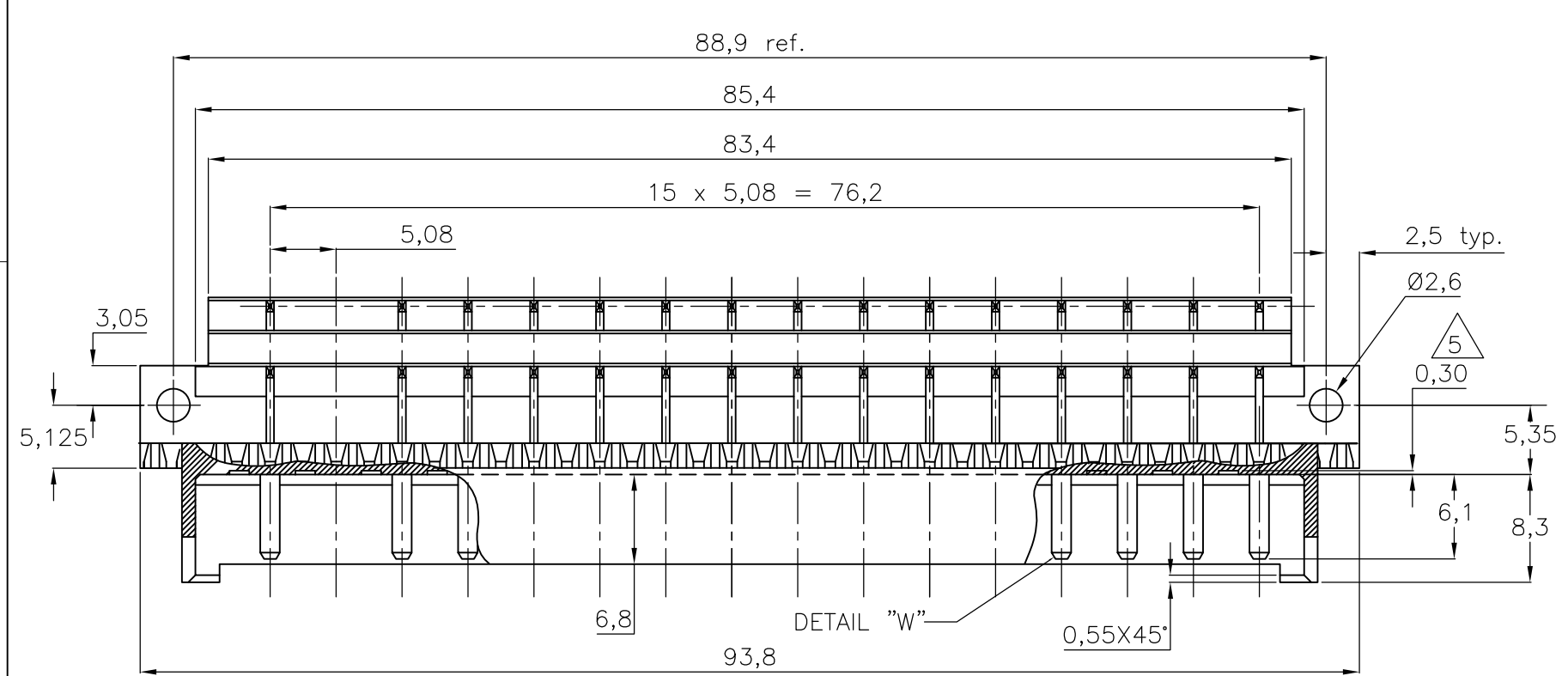


THIS DRAWING IS UNPUBLISHED. RELEASED FOR PUBLICATION
 © COPYRIGHT - BY TYCO ELECTRONICS CORPORATION. ALL INTERNATIONAL RIGHTS RESERVED.

LOC	DIST	REVISIONS					
H	-	P	LTR	DESCRIPTION	DATE	DWN	APVD
			B	SR10-0015-01	11-01-01	BC	-
			C	ECR-07-020965	06-02-09	AEG	MKO
			E	ECR-08-021006	30-03-09	AEG	MKO



CONTACT No.	2	4	6	8	10	12	14	16	18	20	22	24	26	28	30	32
z	x		x	x	x	x	x	x	x	x	x	x	x	x	x	x
F 48 ROW b	x															
d	x		x	x	x	x	x	x	x	x	x	x	x	x	x	x

AN ASTERISK „X” DENOTES A STANDARD CONTACT.

RESTRICTED TO HONEYWELL

NOTES:

- ① MATERIAL:
 -HOUSING: THERMOPLASTIC POLYESTER, COLOR GREY.
 -CONTACTS: BRASS.
- ② PLATING CONTACT:
 -1 : 1,25µm Au OVER 1,25µm Ni IN CONTACT AREA.
 Sn OVER 1,25µm Ni ON SOLDER POST.
 -4 : SAME AS -1 EXCEPT 0,8µm Au.
- ③ SOLDER POSTS SUITABLE FOR P.C.B. HOLES
 0,8±0,05 OR 1,0±0,1 DIA.
- ④ 8 HOLES SUITABLE FOR KEYING PIN PN. 215916-1.
- ⑤ KEYING HOLES TO BE DRILLED BY CUSTOMER.
- ⑥ PRINTING PART NUMBER AND DATE CODE AT THIS SIDE.

THIS DRAWING IS A CONTROLLED DOCUMENT.		DWN	R.V.LOKVEN	25MAY93	Tyco Electronics Corporation 's-Hertogenbosch, Nederland			
DIMENSIONS: mm		CHK	J.V.GRUNSEVEN	25MAY93				
TOLERANCES UNLESS OTHERWISE SPECIFIED:		APVD	L.V.SOET	25MAY93				
0 PLC ± - 1 PLC ± - 2 PLC ± - 3 PLC ± - 4 PLC ± - ANGLES ± -		PRODUCT SPEC	-					
MATERIAL		APPLICATION SPEC	-		NAME	31 POS. DIN 41612 F MALE 90° SOLDER CONNECTOR		
-		WEIGHT	-		SIZE	CAGE CODE	DRAWING NO	RESTRICTED TO
-		CUSTOMER DRAWING		SCALE	NTS	SHEET	1 OF 1	REV
-		-		A3		00779	C=188753	E