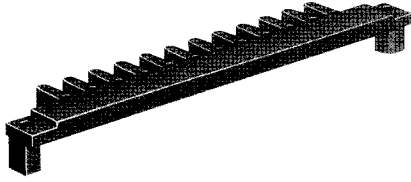


Keying Systems

**Type B, C, D, F, R and Q
Connector Keying**

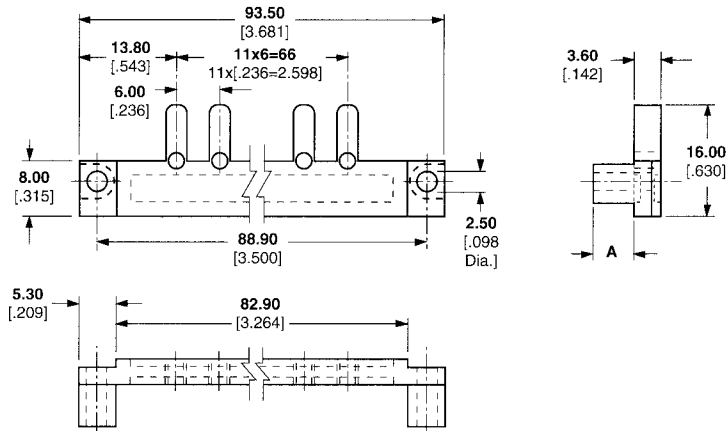


Material

Housing — Polycarbonate, red, 94V-1 rated

Related Product Data

Technical Documents — Page 74:
Application Specification 114-9014
Application Sketch 5LH-011.17

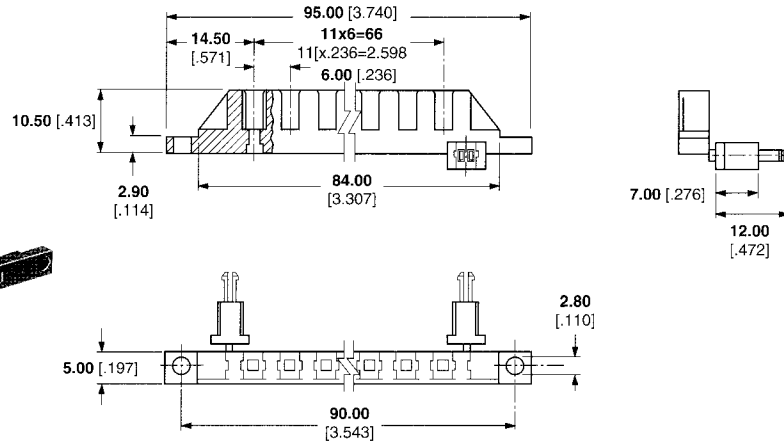
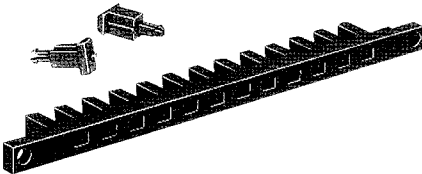


Pin Assembly Keying Strip

Connector Type	Dimension A	Part Number
C,D,F*,R	6.00 .236	926495-1
C,D,R	4.20 .165	926495-4

* For Type F cable mount only.

Accessories



Receptacle Assembly Keying Strip

Connector Type	Part Number
B,C,D,F,Q,R	926495-2*

* Two Keying plugs are molded to the strip, additional quantities of plugs can be ordered separately (Keying Plug Part Number 926495-3).

Note: Due to product design and shipping, keying plugs may be separated from strip.