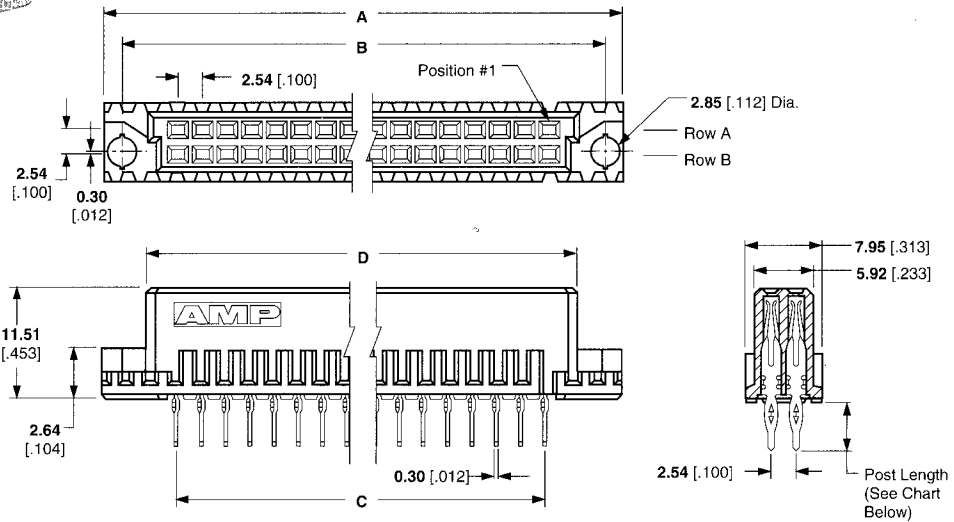
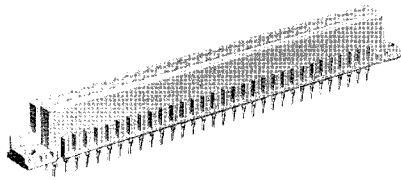


Type B Vertical Receptacle Assemblies with ACTION PIN Posts for PC Board Mount, (0.64 [.025] Square and 0.30 x 0.61 [.012 x .024])



Note: Insertion tool required for 17 [.669] post length.

Standard Size (for PC Board Thicknesses 1.57 [.062] and Above)

Number of Positions	Rows Loaded	Dimensions				Post Length	DIN Level	Part Number
		A	B	C	D			
64	A,B	93.96	90.00	78.74	85.00	3.70	II	3-1393637-6 ¹
		3.700	3.543	3.100	3.346	4.83		
						.146		
						.190	II	650865-5 ¹

¹ 0.30 x 0.61 [.012 x .024] Posts.

Press-fit connectors on this page are toolless (flat rock).

Half Size

Number of Positions	Rows Loaded	Dimensions				Post Length	DIN Level	Part Number
		A	B	C	D			
32	A,B	53.34	49.35	38.10	44.35	4.83	II	650864-5
		2.100	1.943	1.500	1.746	.190		

Type B Assemblies

Material

Housing — Glass filled polymer

Contacts — Copper alloy

Related Product Data

DIN Performance Levels — Page 6

Performance Specifications — Page 7

Mateable Connectors — Pages 14, 50

PC Board Hole Layout — Page 58

Accessories — Pages 68, 69

ACTION PIN Contacts — Pages 70, 71

Application Tooling — Pages 72, 73

Technical Documents — Page 74:

DIN Specification 41612

IEC Specification 60603-2

Application Specification 114-9014

Instruction Sheet 408-6927