

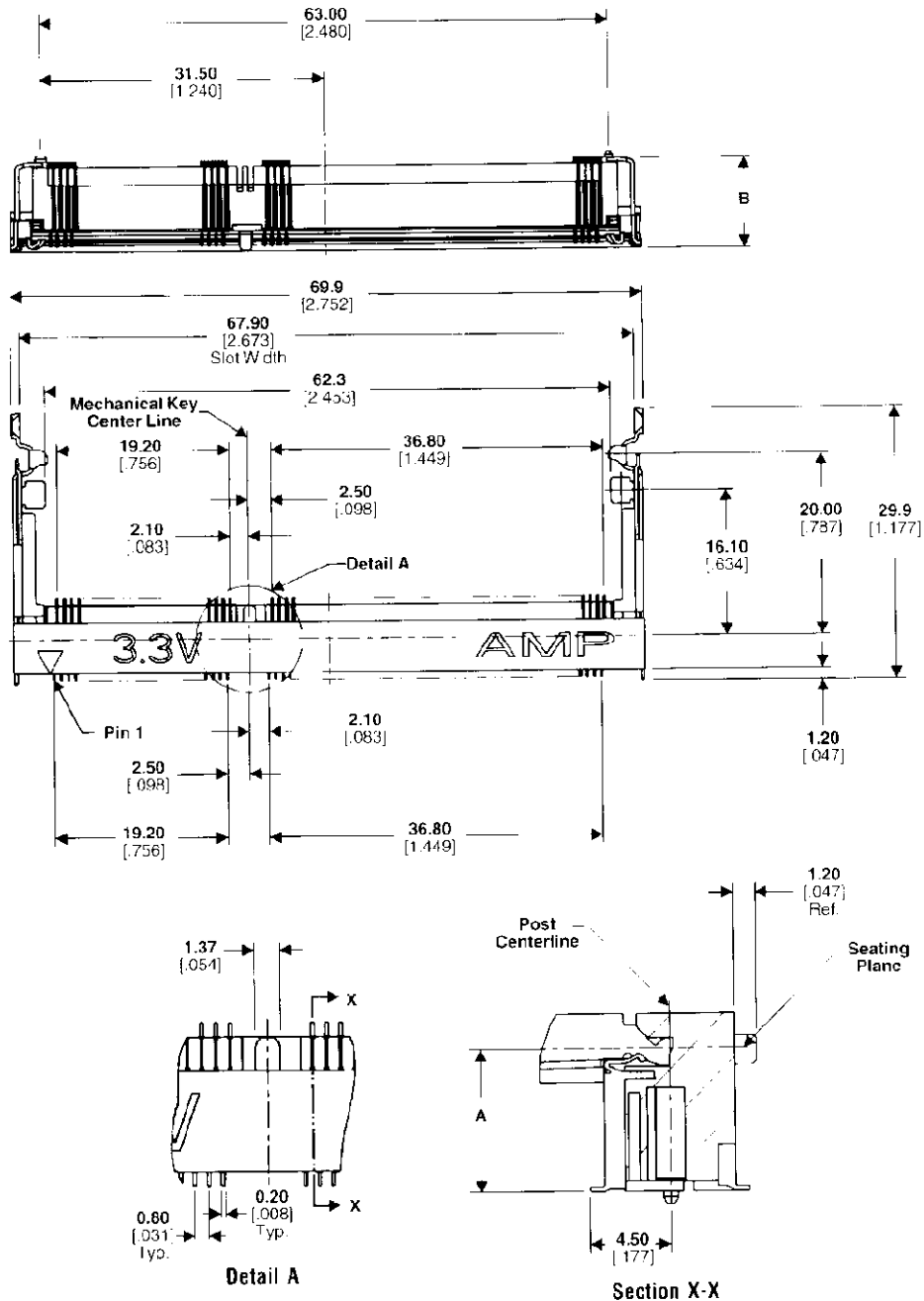
**SO DIMM Sockets — Dual Read-Out for SGRAM Memory Modules** (Continued)

**144 Positions — 0.8 mm SO DIMM (Metric)**

**Material and Finish**

**Housing** — Nylon, UL94V-0 rated; color: natural

**Contact** — Phosphor bronze with 0.00025 mm [.0000098 in.] min. thick gold over 0.0013-0.004 mm [.000051-.000157 in.] thick nickel in contact area and 0.0033-0.0064 mm [.000150-.000250 in.] thick tin-lead over 0.0013-0.004 mm [.000051-.000157 in.] thick nickel in soldering area.



Dimensions		Part Number
A	B	
8.00	9.90	390110-1
.315	.390	
3.70	5.60	390111-1
.146	.220	