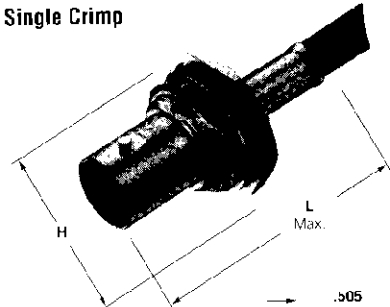


## BNC Connectors, 50 Ohm (Continued)

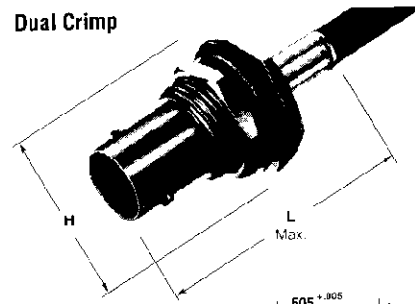
### Bulkhead Jacks, Crimp (Continued)

Note: Panel Insulating Bushings — Page 30

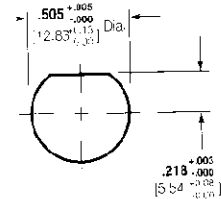
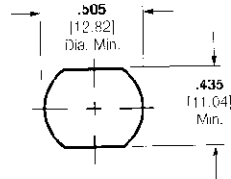
Single Crimp



Dual Crimp



**Recommended Panel Cutouts**  
Maximum Panel Thickness: .125 [3.18]



H = 11/16" across flats, .800 [20.32] Max. across points

Connector Cable Range Selection Code <sup>1</sup>	RG/U Cable	Termination Type	Center Contact Plating	Body Plating	Dielectric	Style	M39012/ Military No. and/or Comments	Part No.	Dim. L	CERTI-CRIMP Hand Tool with Integral Die	Interchangeable Dies for PRO-CRIMPER Hand Tool 354940-1 or PRO-CRIMPER Adapter 678304-1	Interchangeable Dies for Hand Tool 69710-1 & 626 Pneu. Head 318161-1
C3	Belden 8218	Dual Crimp	Gold	Silver	TEFLON	Mil Type	-	1-331693-0	1.406 35.71	69477-2	--	69569-2
D, D2	58, 58A, 58B, 58C, Belden 88240 Derk-Tek BTDC-58, Commy/Scope 2'35	Hex Crimp	Gold	Nickel	Polyethyl-pentene	Commercial	--	413771-1	1.450 36.83	--	58436-1	--
D	58, 58A, 58B, 58C	Dual Crimp	Gold	Nickel	TEFLON	Mil Type	--	225398-1	1.625 41.28	69478-1	220189-3	69727
		Dual Crimp	Gold	Nickel	Polypropylene	Commercial	--	228980-5	1.375 34.93	220187-1	58435-1	220217-1
		Dual Crimp	Gold	Silver	TEFLON	Mil Type	19B0003	1-331693-1	1.625 41.28	69478-1	220189-3	69727
		Single Crimp	Gold	Silver	TEFLON	Mil Type	--	2-329456-1	1.265 32.13	69140-1	--	69223-1
E	223, 55, 55A, 55B	Dual Crimp	Gold	Nickel	TEFLON	Mil Type	--	225398-3	1.406 35.71	69478-1	220189-3	69727
E1	142, 142A, 142B, 430	Dual Crimp	Gold	Nickel	TEFLON	Mil Type	--	225398-6	1.406 35.71	--	220189-3	69727
		Single Crimp	Gold	Silver	TEFLON	Mil Type	--	2-329456-2	1.265 32.13	69331-1	--	69429-1
G	124, 140, 210, 62, 62A, 62B, 59, 59A, 59B, Belden 9291, 9209, 9269	Hex Crimp	Gold	Nickel	Polyethyl-pentene	Commercial	--	413771-2	1.450 36.83	--	58436-1	--
		Dual Crimp	Gold	Nickel	TEFLON	Mil Type	--	225398-2	1.625 41.28	69477-1	58537-1	69669-1
		Dual Crimp	Gold	Nickel	Polypropylene	Commercial	--	228980-6	1.375 34.93	220187-2	58435-1	220217-2
		Dual Crimp	Gold	Silver	TEFLON	Mil Type	19B0007	331693	1.625 41.28	69477-1	58537-1	69669-1
		Single Crimp	Gold	Silver	TEFLON	Mil Type	--	2-329457-1	1.265 32.13	69141-1	--	69224-1
C4	Belden 9104, 9112, 9240, 9167, 9259, 9266 Times FM-59	Dual Crimp	Gold	Nickel	TEFLON	Mil Type	--	1-225398-2	1.375 34.93	69477-1	58537-1	69669-1
K2	Belden 8281, 9141, 9231 Western Electric 724, 728, 3049	Single Crimp	Gold	Silver	Polypropylene	Mil Type	--	331300	1.265 32.13	69652	--	220000

<sup>1</sup>Refer to page 14 and 15 for code specifications.

<sup>2</sup>Order AMP PRO-CRIMPER Coaxial "O" Crimp Hand Tool assembly 58433-1, which includes dies 58435-1.

<sup>3</sup>Order AMP PRO-CRIMPER Coaxial Hex Crimp Hand Tool assembly 58433-2, which includes dies 58436-1.