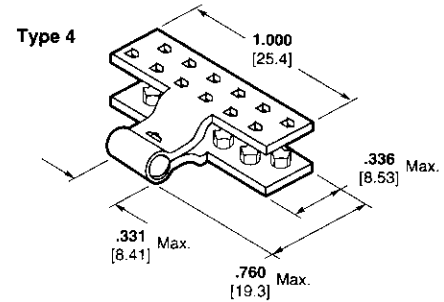
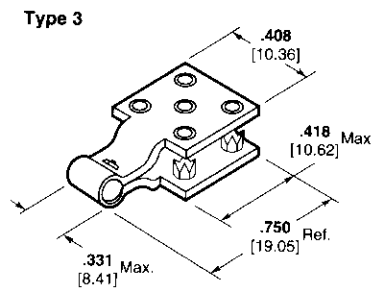


### Barrel Terminals

#### Double Face Tap

**Material and Finish:**  
Copper, tin-plated

**Related Product Data:**  
Application Tooling — page 9  
Technical Documents — page 1



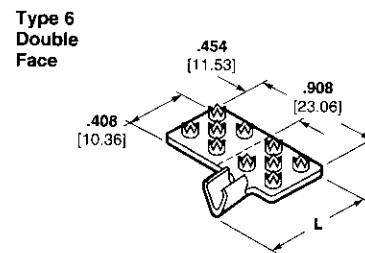
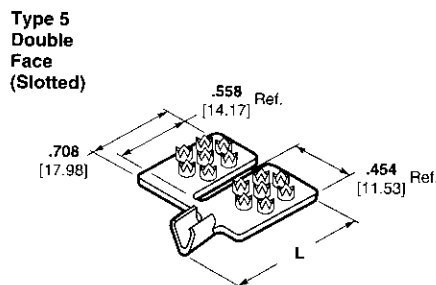
Aluminum Foil Thickness	Type	Wire Barrel Range AWG	Wire Barrel Range mm <sup>2</sup>	Part Number	Foil Crimp Tooling		Wire Barrel Crimp Tooling	
					Hand Tool	Dies for Pneu. Tool 69010 with Head 69263-1	Hand Tool	Head for Pneu. Tool 69005
.030 [0.76] Max. Aluminum Foil	3	22-16	0.3-1.4	52584	68026*	69177-1	69997	—
.010 [0.25] Max. Bare or Insul. Aluminum Foil	4	18-14 (Solid) 18-12 (Stranded)	0.8-2.0 0.8-3.0	53264-2	68099-1	—	49975	37917

\*For heavy duty, use tool **68064**.

#### Strip Tap .030 [0.76] Max. Aluminum Foil Thickness

**Material and Finish:**  
Copper, tin-plated

**Related Product Data:**  
Application Tooling — page 9  
Technical Document — page 1



Wire Barrel Range AWG	Wire Barrel Range mm <sup>2</sup>	Type	Dim. L Max.	Part Number	Wire Barrel Crimp Tooling Applicator**	Foil Crimp Tooling	
						Hand Tool	Dies for Pneu. Tool 69010 with Head 69263-1
16-14	1.25-2.0	5	.989 25.12	53645-2	566137-1		
12-10	3.0-6.0	5	1.068 27.13	53644-2	566138-1	68026*	69177-1
16-14	1.25-2.0	6	.651 16.54	276708-2 Unannealed	566278-1		

\*For Heavy duty, use tool **68064**.

\*\*For use in AMP-O-ELECTRIC Machine 1-471273-2.