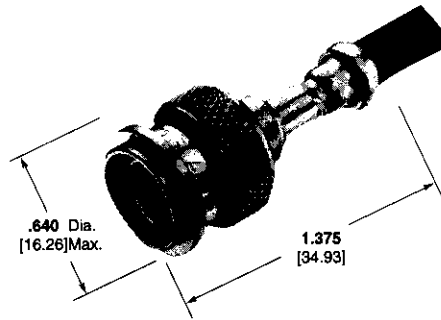


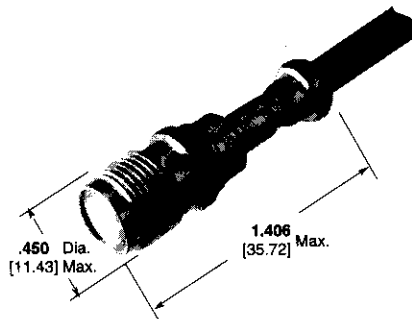
**TNC Connectors MIL-C-39012 — 50 Ohm (Continued)**

**Dual Crimp Plugs  
MIL-C-39012/26  
(Weatherproof)**



Military Part No.	AMP Part No.	RG/U Cable	Interchangeable Dies for PRO-CRIMPER Frame 354940-1
B0005	225550-2	58, 58A, 58B, 58C	91902-1
B0006	225550-6	142, 142A, 142B, 400	91902-1
B0007	225550-3	124, 140, 210, 62, 62A, 62B, 59, 59A, 59B, Belden 9291, 9209, 9269	91903-1
B0016	225550-1	55, 55A, 55B, 223	91902-1

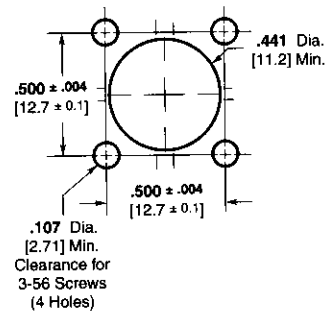
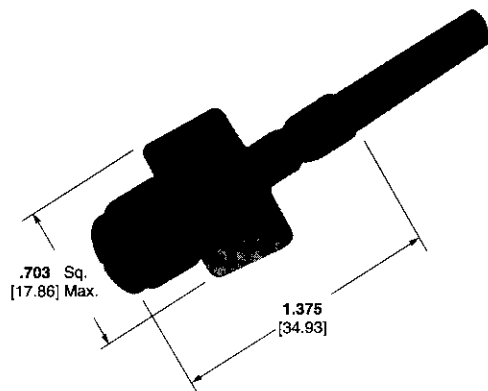
**Crimp Jacks  
MIL-C-39012/27  
(Weatherproof)**



Military Part No.	AMP Part No.	RG/U Cable	Interchangeable Dies for PRO-CRIMPER Frame 354940-1
B0005	225551-2	58, 58A, 58B, 58C	91902-1
B0015	225551-5	141, 141A, 303	91902-1
B0016	225551-1	55, 55A, 55B, 223	91902-1
B0006	225551-6	142, 142A, 142B, 400	91902-1

RF Connectors

**Crimp Panel Jack  
MIL-C-39012/29**



**Recommended Panel Cutout**

Military Part No.	AMP Part No.	RG/U Cable	CERTI-CRIMP Hand Tool with Integral Die
B0005	225348-2	58, 58A, 58B, 58C	220045-2