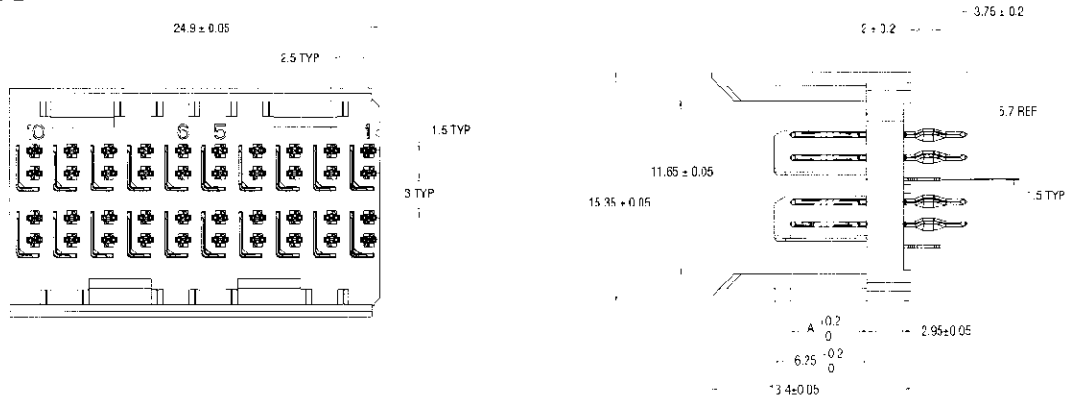


**20 Pair Header Assembly**

**Part Number PIN Length**

1469025-1 5.20

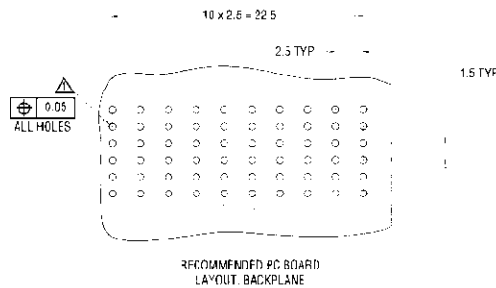
1469025-2 3.70



**20 Pair Header Insertion Tool**

**Part Number**

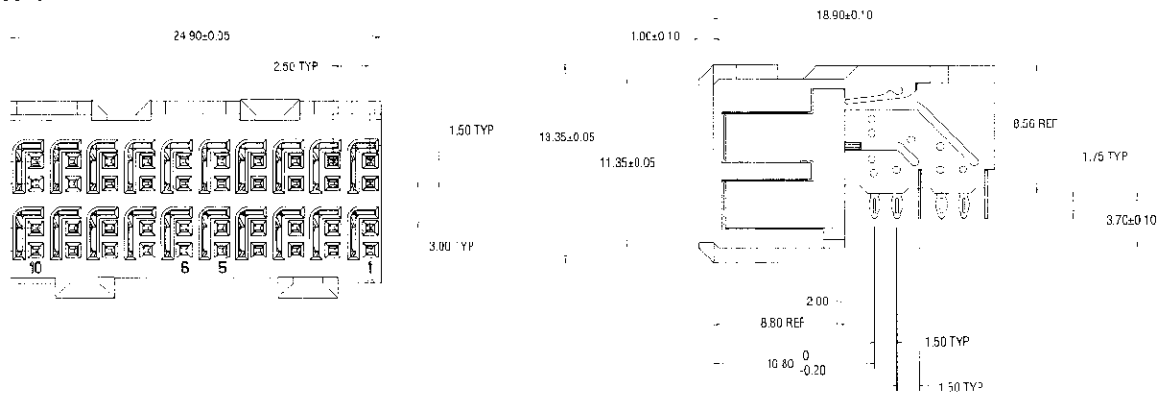
91348-1



**20 Pair Receptacle Assembly**

**Part Number**

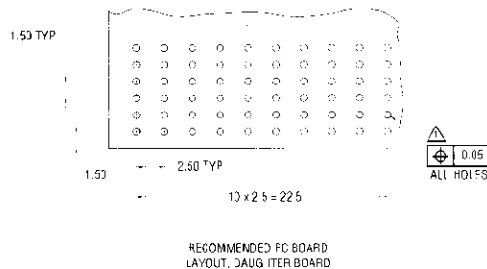
1469028-1



**20 Pair Receptacle Insertion Tool**

**Part Number**

91350-1



PCB HOLE DIM:  
DRILLED HOLE =  $0.700 \pm 0.025$ mm  
FINISHED HOLE =  $0.60 \pm 0.05$ mm  
Cu THICKNESS =  $0.375 \pm 0.0125$ mm  
SnPb THICKNESS =  $0.007 \pm 0.003$ mm