

Receptacle Housings

Technical Features

No. of Positions:

60 Positions Assembly

Housing Material:

PA 66 / PBT ASA GF

Wire Size Range:

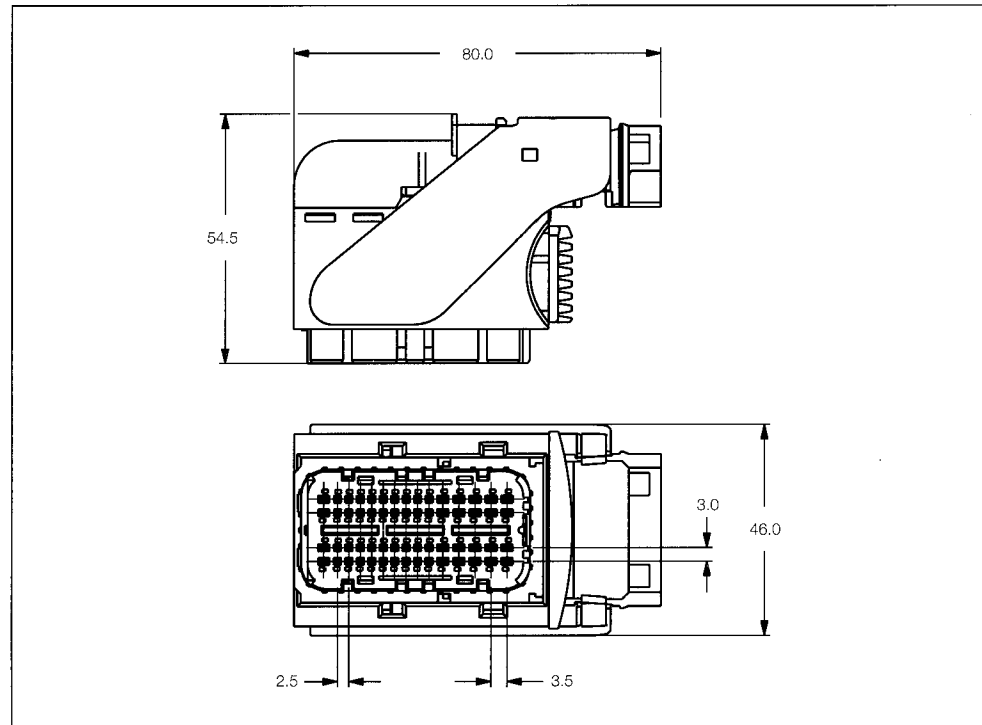
- 0.35–0.75 mm² Micro Quadlok
Clean Body 0.63 mm
- 0.75–1.5 mm² Micro Quadlok
Clean Body 1.5 mm

Product Specification:

108-20235

Application Specification:

411-20067



60 Position Receptacle Housings

| No. of Pos. | Keying Options | Housing Color | Part Numbers | | | | | | | |
|-------------|----------------|---------------------|--------------------|-------|----------------|-----------------|------------------|--------------------|-------------------------------|----------------------------|
| | | | Receptacle Housing | Cover | Locking Device | Cover and Lever | Retainer Housing | Mating Tab Housing | Mating PCB Header Right-Angle | Mating PCB Header Vertical |
| 60 | - | Black / Light-Brown | 284742-1 | - | - | - | - | - | - | - |
| | | | 284742-2* | - | - | - | - | - | - | - |

* No C.P.A. supplied