

Receptacle Housings

Technical Features

No. of Positions:

32 Positions

Housing Material:

PBT GF20

Wire Size Range:

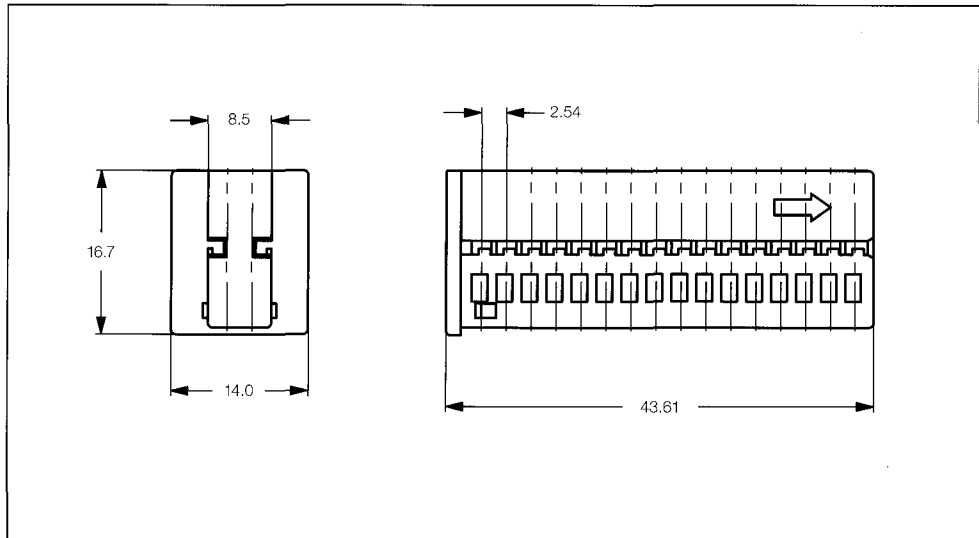
0.2–0.75 mm²

Product Specification:

108-18548-0

Application Specification:

114-18714-0



32 Position Receptacle Housings

No. of Pos.	Keying Options	Housing Color	Part Numbers							
			Receptacle Housing	Cover	Locking Device	Cover and Lever	Retainer Housing	Mating Tab Housing	Mating PCB Header Right-Angle	Mating PCB Header Vertical
32	-	Black	968265-1	-	-	-	-	-	-	967598
		Grey	-	-	-	929053-1	-	-	-	-
		Blue	-	-	-	929053-2	-	-	-	-

Technical Features

No. of Positions:

32 Positions

Housing Material:

PBT GF20

Wire Size Range:

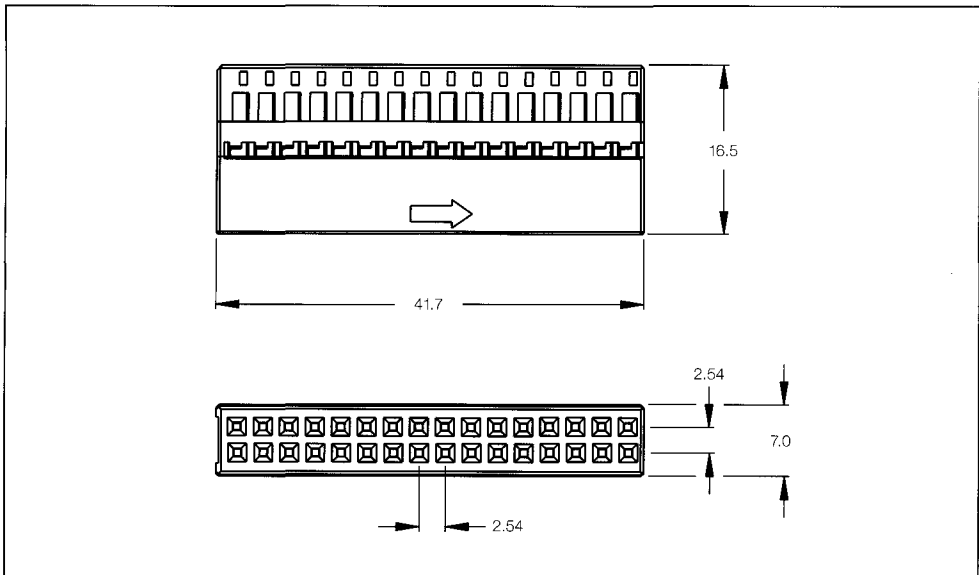
0.14–0.75 mm²

Product Specification:

108-18924

Application Specification:

114-18630



32 Position Receptacle Housings

No. of Pos.	Keying Options	Housing Color	Part Numbers							
			Receptacle Housing	Cover	Locking Device	Cover and Lever	Retainer Housing	Mating Tab Housing	Mating PCB Header Right-Angle	Mating PCB Header Vertical
32	A, F	Green	1420000-1	-	1420001-1	1534222-1	-	-	-	966658
	C, D	Blue	1420000-1	-	1420001-1	1534222-2	-	-	-	-