

Sealed 2.8 Receptacle Housings with Secondary Locking

**Technical Features**

**No. of Positions:**  
21 Positions

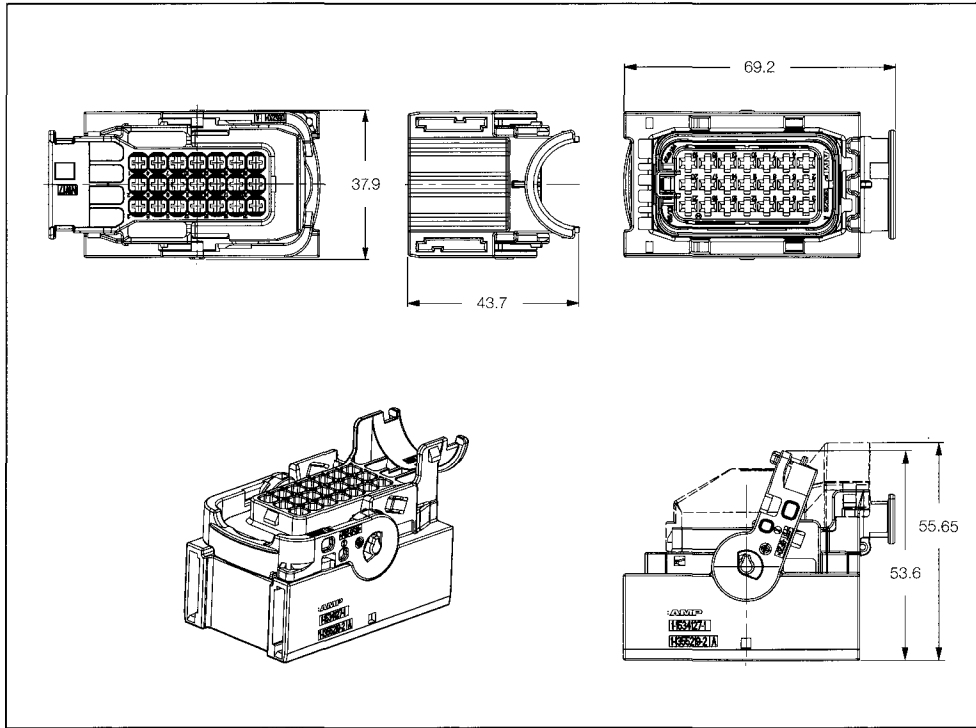
**Housing Material:**  
PBT-GF20

**Wire Size Range:**  
2.5 mm<sup>2</sup> FLR Max.

**Extraction Tool:**  
Part No. 1-1579007-2

**Product Specification:**  
108-18696

**Application Specification:**  
114-18376



Sealed 2.8 Receptacle Housings with Secondary Locking

No. of Positions	Keying Options	Housing Color	Part Numbers			
			Receptacle Housing	Package Quantity	Cover	Mating Vertical PCB Header
21	A	Black	1-1534127-1	-	9-1394050-1	1534238-1
	B	Natural	2-1534127-1	-		
	C	Blue	3-1534127-1	-		
	D	Violet	4-1534127-1	-		