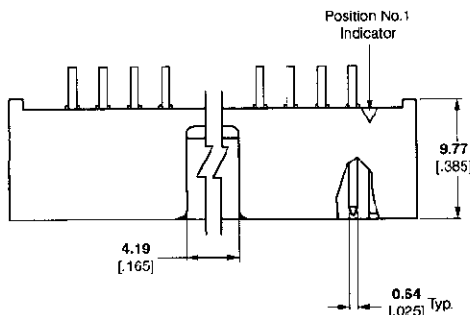
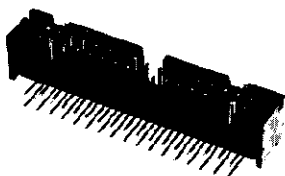




AMP-LATCH Connectors (Continued)

**Low Profile Headers—Shrouded with 3.81 [.150] End Dimension
Double Row, 2.54 x 2.54 [.100 x .100] Centers (Continued)**

**0.64 [.025] Square
Right Angle Post**



Material and Finish:

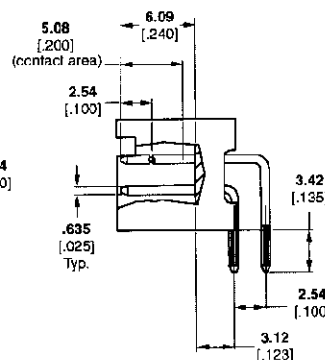
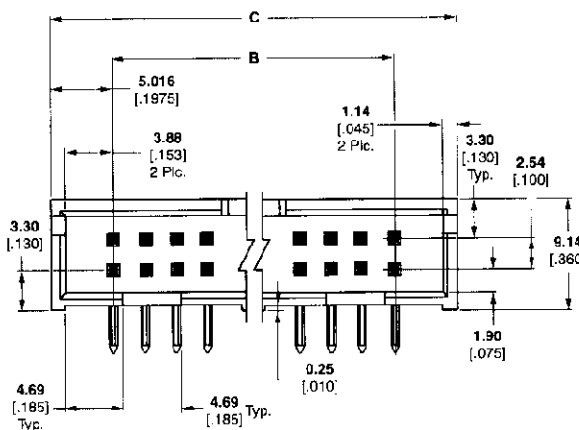
Housing — Black thermoplastic, 94V-0 rated, flame retardant

Contacts — Copper alloy, duplex plated (See chart, below)

Related Product Data:

Electrical Characteristics — Page 488

Mateable Connectors — Pages 489, 490

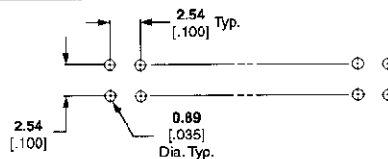


Plating Specifications:

Duplex¹ — 0.00038 [.000015] gold on contact area, 0.00254-0.00508 [.000100-.000200] tin-lead on solder area, with entire post underplated 0.00127 [.000050] nickel

Duplex² — 0.00076 [.000030] gold on contact area, 0.00254-0.00508 [.000100-.000200] tin-lead on solder area, with entire post underplated 0.00127 [.000050] nickel

No. of Pos.	Dimensions		Post Plating	Part No.
	B	C		
10	10.16 .400	20.32 .800	Duplex ¹	103310-1
			Duplex ²	103311-1
14	15.24 .600	25.40 1.000	Duplex ¹	103310-2
			Duplex ²	103311-2
16	17.78 .700	27.94 1.100	Duplex ¹	103310-3
			Duplex ²	103311-3
20	22.86 .900	33.02 1.300	Duplex ¹	103310-5
			Duplex ²	103311-5
26	30.48 1.200	40.64 1.600	Duplex ¹	103310-6
			Duplex ²	103311-6
34	40.64 1.600	50.80 2.000	Duplex ¹	103310-7
			Duplex ²	103311-7
40	48.26 1.900	58.42 2.300	Duplex ¹	103310-8
			Duplex ²	103311-8
44	53.34 2.100	63.50 2.500	Duplex ¹	—
			Duplex ²	103311-9
50	60.96 2.400	71.12 2.800	Duplex ¹	1-103310-0
			Duplex ²	1-103311-0



**Recommended Hole Layout
For Manual Insertion**