



Z-PACK 12 Row 2mm Connectors (Continued)

Vertical Pin Header Assemblies (Continued) Center Module

Materials:

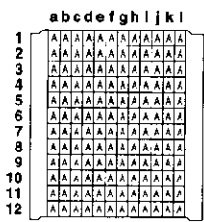
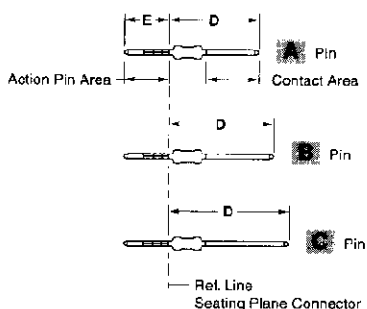
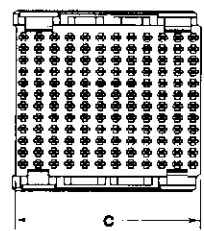
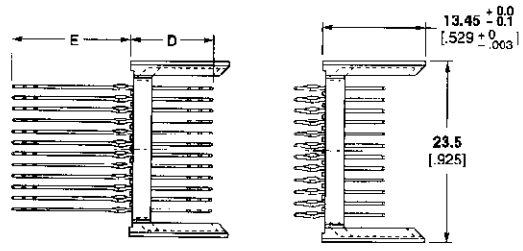
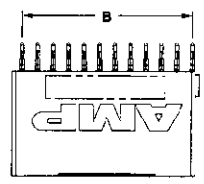
- Contact Area Finish** — 0.6µm Au min. over 1.3µm Ni min.
- Compliant Pin Finish** — 0.5µm SnPb min. over 1.3µm Ni min.
- Contact** — Phosphor Bronze
- Housing** — Glass-filled polyester

Performance Specifications — Page 189

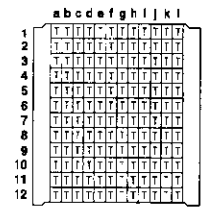
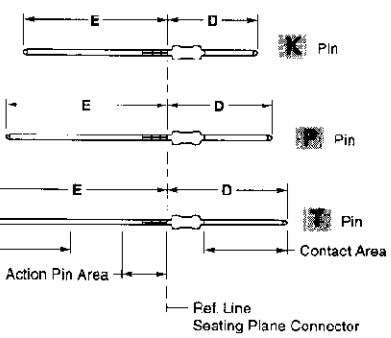
Mateable Connectors — Page 253

Accessories — Page 332

Selective load and sequencing available (see page 255)



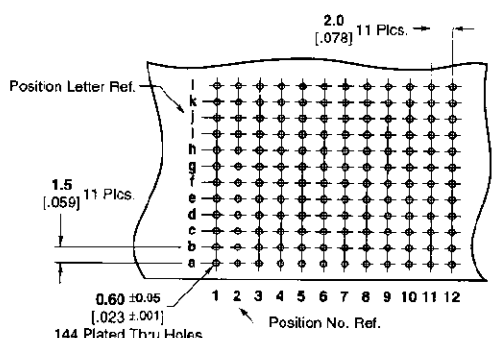
120638-1 as Shown



120644-3 as Shown

P.C.B. Hole Dimensions

- Drilled Hole — 0.7±0.025mm
- Fin. Hole — 0.55 to 0.65mm
- Cu-thickness — 0.025 to 0.050mm
- SnPb-thickness — 0.004 to 0.010mm



**Recommended PC Board Layout
(Component Side Shown)**

No. of Pos.	Dimensions					Pin Reference	Part Numbers
	A	B	C	D	E		
144	—	22.0 .866	23.9 .941	8.2 .323	3.7 .146		120638-1
	—	22.0 .866	23.9 .941	9.7 .382	3.7 .146		120638-2
	—	22.0 .866	23.9 .941	11.2 .441	3.7 .146		120638-3
	—	22.0 .866	23.9 .941	8.2 .323	13.0 .512		120644-1
	—	22.0 .866	23.9 .941	9.7 .382	14.5 .571		120644-2
	—	22.0 .866	23.9 .941	11.2 .441	16.0 .630		120644-3