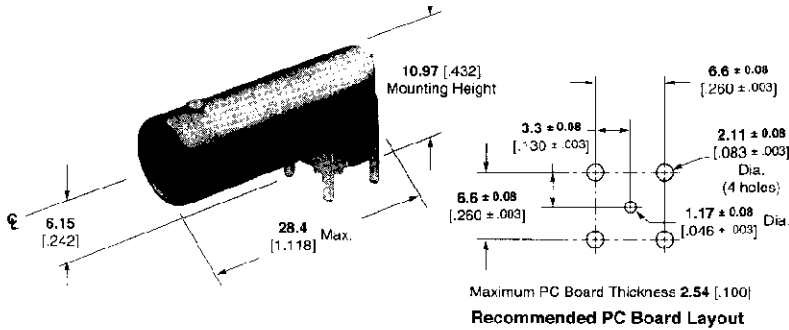
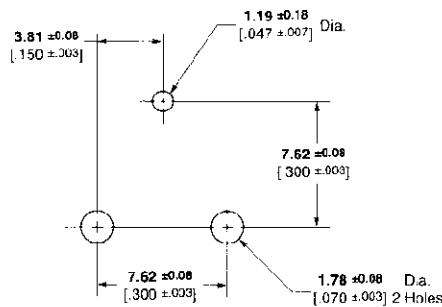
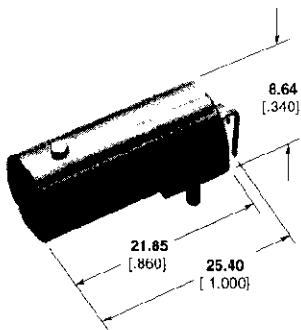


**BNC Connectors, 50 Ohm (Continued)**

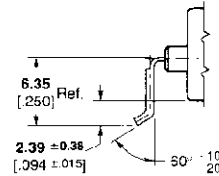
**Right Angle Metalized Jacks,  
PC Board Mount**



Body Plating	Dielectric	Center Contact Length	Part No.
Nickel	Polymethylpentene	4.34 .171	413631-1
Tin-Lead	TEFLON	4.34 .171	413631-2



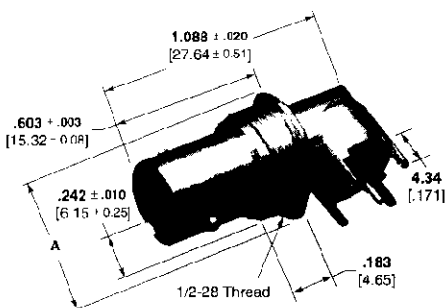
**Recommended PC Board Layouts**



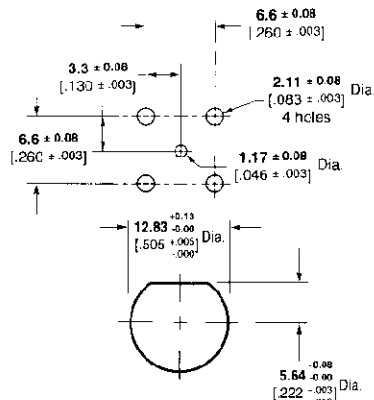
Body	Dielectric	Contact	Part No.
Nickel	TPX	Gold	414373-1
Nickel	TPX	Gold	414373-3**
Tin-lead	TPX	Gold	414373-4**

\*\*Board retention leg prevents connector from tipping during wave solder. For 414373-3 and 414373-4 only.

**Right-Angle Metalized Jacks,  
PC Board/Panel Mount**



Lockwasher and Jam Nut see page 60.



Maximum Panel Thickness 6.35 [.250]

**Recommended Panel Cutout**

Body Plating	Dielectric	Dim. A	Part No.
Tin-Lead	TPX	11.66 .459	415025-2
Tin-Lead	TPX	16.26 .640	415372-1