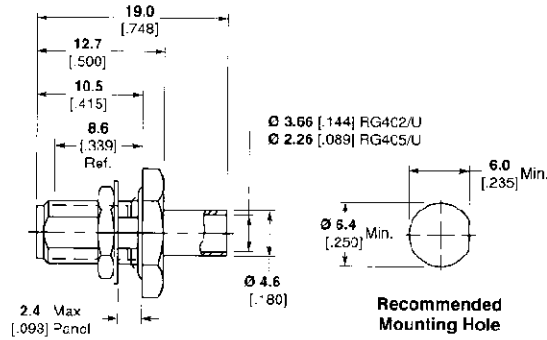
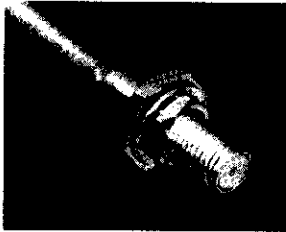


SMA Connectors (Continued)

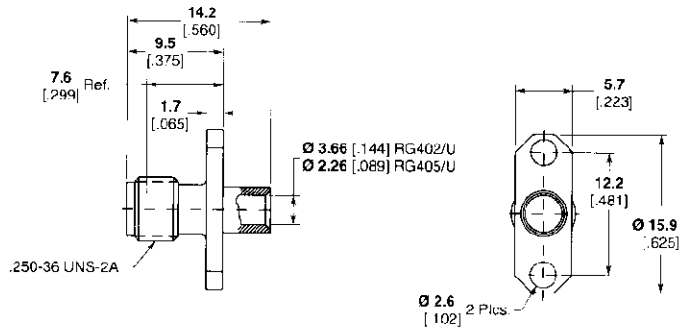
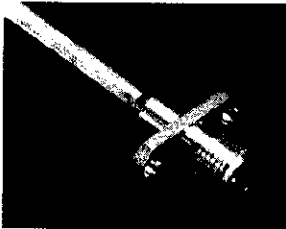
Direct Solder Attachment, Semi-Rigid Cable (Continued)

Bulkhead Cable Jack



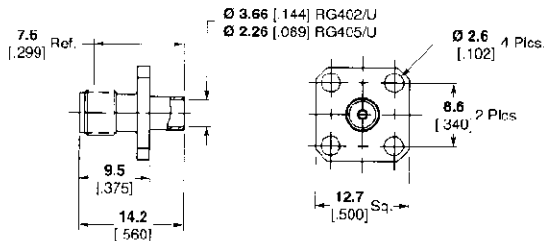
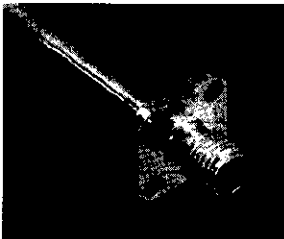
Cable Type RG/U	Body Material & Finish	Contact Captivation	Contact Attachment	Solder Assembly Kit Part No.	Instruction Sheet	M/A-COM Model No.	Part No.
402 (3.58 [141])	Brass, Gold	No	Solder	1055420-1	408-4768	2204-7941-09	1082029-1

**2 Hole Flange Mount
Cable Jack**



Cable Type RG/U	Body Material & Finish	Contact Captivation	Contact Attachment	Solder Assembly Kit Part No.	Instruction Sheet	M/A-COM Model No.	Part No.
402 (3.58 [141])	Stainless, Gold	No	Solder	1055420-1	408-4767	2006-5013-00	1051052-1
405 (2.16 [085])	Stainless, Gold	No	Solder	1055420-1	408-4883	2006-5010-00	1051046-1

**4 Hole Flange Mount
Cable Jack**



Cable Type RG/U	Body Material & Finish	Contact Captivation	Contact Attachment	Solder Assembly Kit Part No.	Instruction Sheet	M/A-COM Model No.	Part No.
402 (3.58 [141])	Stainless, Gold	No	Solder	1055420-1	408-4767	2006-7941-00	1051081-1
405 (2.16 [085])	Stainless, Gold	No	Solder	1055420-1	408-4883	2006-7985-00	1051085-1