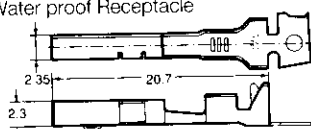
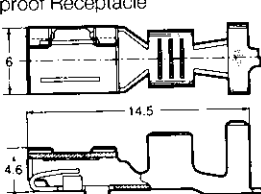
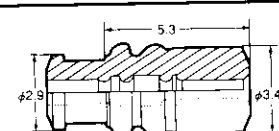
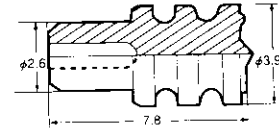


.060/.187 Slide Cam Connectors

Contact

Contact	Wire Range	Wire Ins. Diameter	Material/Finish	Part No. S.T.
.060 Water proof Receptacle  Crimp Specifications : 114-5216	0.3-0.5mm ² (AWG#22-20)	Ø1.4-1.7mm	Copper Alloy/Pre-tin	900293-1
.187 Water proof Receptacle  Crimp Specifications : 114-5126	0.5-1.25mm ² (AWG#20-16)	Ø2.0-2.6mm	Brass/Pre-tin	175090-1
	2-3mm ² (AWG#14-12)	Ø2.9-3.6mm	Brass/Pre-tin	175091-1

Rubber Plug and Cavity Plug

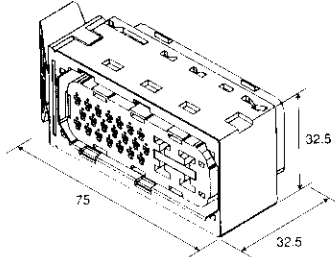
Description	Style	Wire Ins. Diameter	Material/Color	Part No.
Rubber Plug (For .060 contact.)		Ø1.4-1.7mm	Silicon rubber/Gray	316867-1
Cavity Plug (For cavity of .060 contact.)		—	Silicon rubber/Red Brown	1473234-1

*The rubber plug for .187 contact is not available from AMP. Please make an inquiry for more information.

Plug

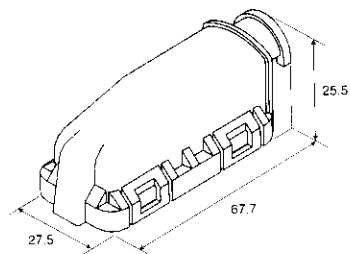
Wire Cover

Part Number : 316874-1

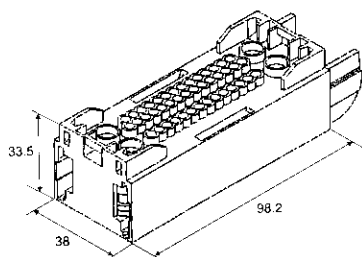


25
Pos.

Part Number : 316873-2

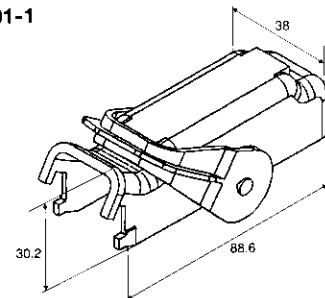


Part Number : 1376600-1



47
Pos.

Part Number : 1376601-1



*The lever is assembled.