

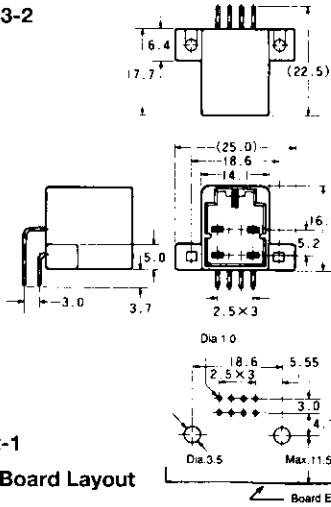
.040 MULTILOCK Connectors (Mark II)

Wire to Board Applications

Cap (Horizontal Mount Type)

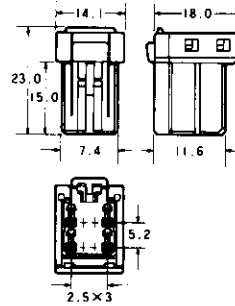
Plug

Part Number : □-175973-2



8
Pos.

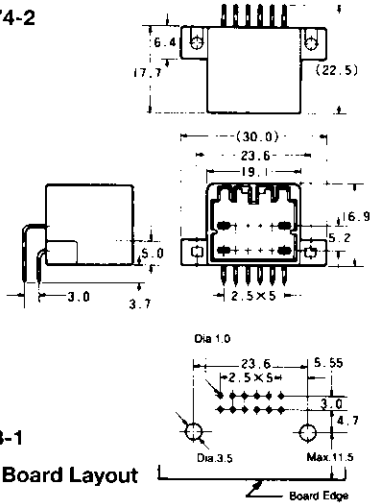
Part Number : 175964-2



Vertical Mount Type
Part Number : 1565542-1

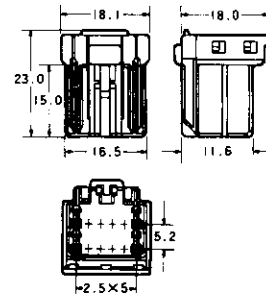
PC Board Layout

Part Number : □-175974-2



12
Pos.

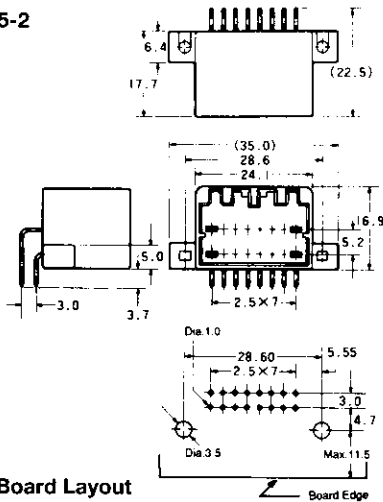
Part Number : 175965-2



Vertical Mount Type
Part Number : 1565543-1

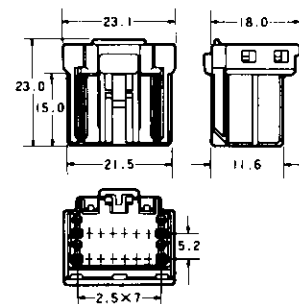
PC Board Layout

Part Number : □-175615-2



16
Pos.

Part Number : 175966-2



PC Board Layout

- *The color of housing is black, and that of double lock plate is white.
- *The material of housings, cap is of PBT with glass, plug and double lock plate are of PBT.
- *The materials and finish of tab contacts are of pre-linned brass.
- *The figures in □ before part numbers vary according to finishes, configurations, etc.