

Post Header for Printed Circuit Board

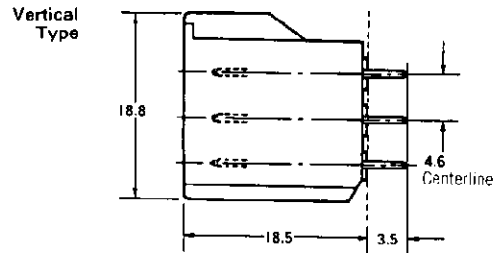
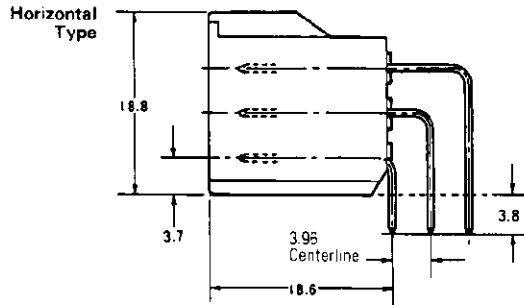
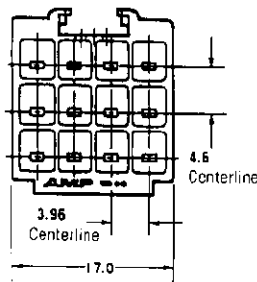
Horizontal and Vertical Mount Type

For 12 Circuits

Part No. :
282357-1 (Horizontal)
282358-1 (Vertical)
 Mating Plug HSG:
 Part No. : 176278-□

Material and Finish:

Housing—GF FR PBT
 black
 Contact—brass, tin-lead
 plated

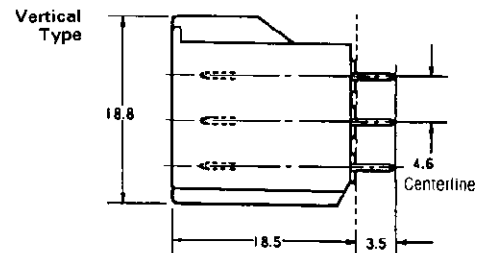
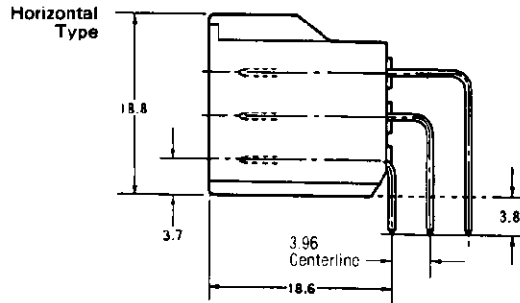
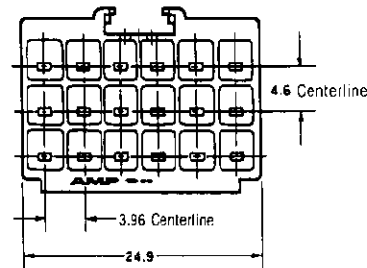


For 18 Circuits

Part No. :
282360-1 (Horizontal)
282361-1 (Vertical)
 Mating Plug HSG:
 Part No. : 176280-□

Material and Finish:

Housing—GF FR PBT
 black
 Contact—brass, tin-lead
 plated



PC Board Layout

