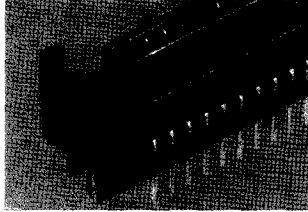


**CHAMP .050 Series I Blindmate,
Single Connector Attachment (SCA-2) for Fibre Channel** (Continued)

CHAMP .050 Centerline
Connector Systems

**40-Position Receptacle
Assembly, Extended
Height, Vertical Mount
Part Number 787597-1
Contact Tail 4.57mm length**

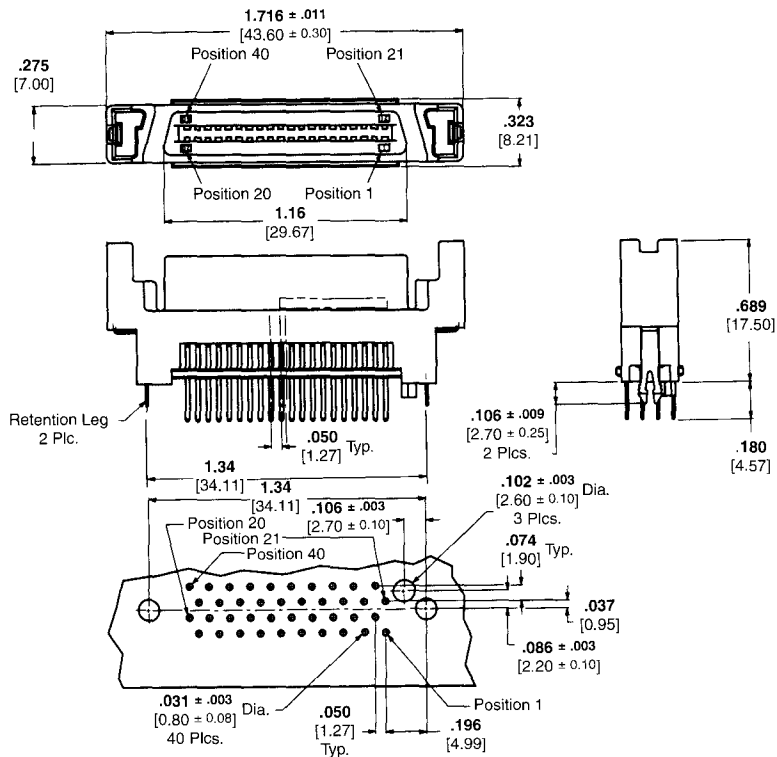


Material and Finish

Housing — Thermoplastic, 94V-0 rated, black

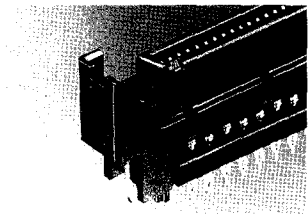
Contacts — Phosphor bronze, plated .000030 [0.00076] min. gold on mating end, .000150 [0.00381] min. tin-lead on solder end, both over .000050 [0.00127] min. nickel underplating

Retention Leg — Brass, plated .000150 [0.00381] min. tin-lead over .000050 [0.00127] min. nickel



**Recommended Printed Circuit Board
Mounting Dimensions – Component Side**

**40-Position Receptacle
Assembly, Extended
Height, Vertical Mount,
Press-Fit
Part Number 788389-1
Contact Tail 3.43mm length**

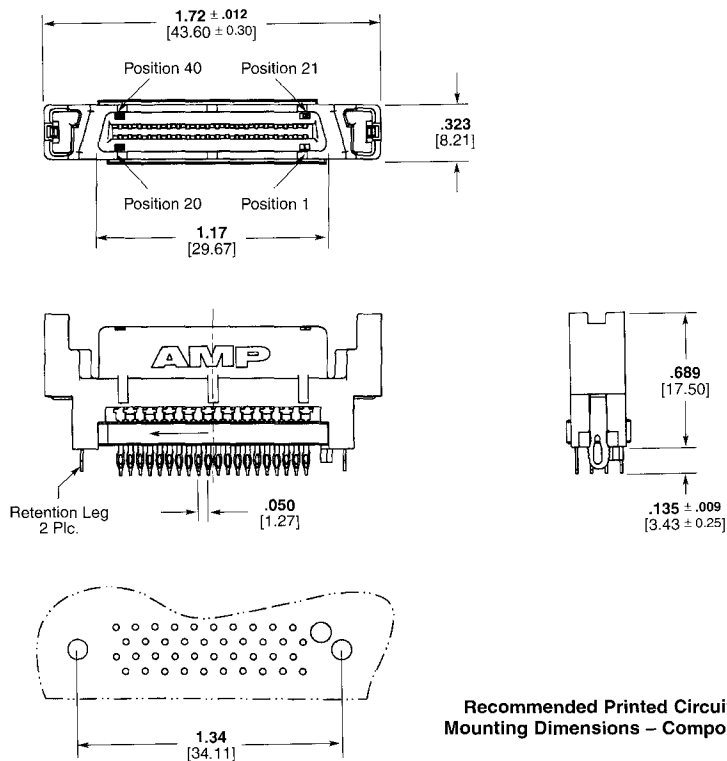


Material and Finish

Housing — Thermoplastic, 94V-0 rated, black

Contacts — Phosphor bronze, plated .000030 [0.00076] min. gold on mating end, .000150 [0.00381] min. tin-lead on solder end, both over .000050 [0.00127] min. nickel underplating

Retention Leg — Brass, plated .000150 [0.00381] min. tin-lead over .000050 [0.00127] min. nickel



**Recommended Printed Circuit Board
Mounting Dimensions – Component Side**