

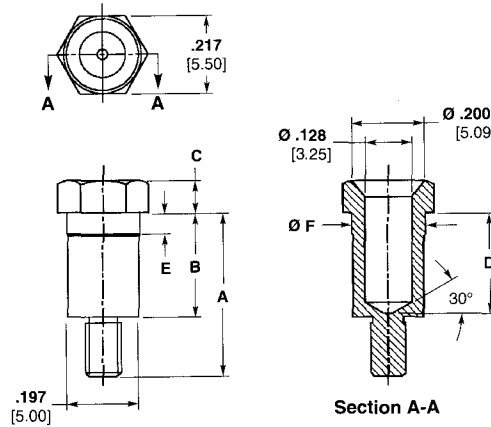
CHAMP .050 Series I Low Profile Docking Connectors (Continued)

Hardware — Docking Connectors

Material and Finish

Brass, nickel plate

Guide Sockets

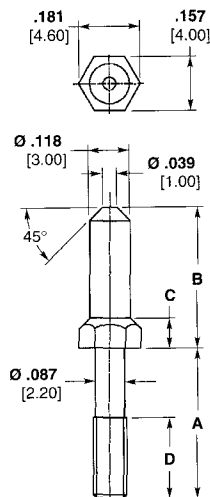


Part Number	Dimensions					
	A	B	C	D	E	F
177728-1	.454 11.54	.291 7.40	.087 2.22	.280 7.10	.059 1.50	.203 5.15
177728-2	.423 10.74	.260 6.60	.119 3.02	.248 6.30	.059 1.50	.203 5.15
2-177728-2 ^{1,2}	.423 10.74	.260 6.60	.119 3.02	.248 6.30	.059 1.50	.203 5.15
5-177728-1	.454 11.54	.291 7.40	.087 2.22	.280 7.10	.059 1.50	.203 5.15

¹ Make from -2

² Thread locking material applied, except for thread tip area. (Equivalent LOCTITE DRI-LOC 202, 203)

Guide Pin
Part Number 177734-1



Part Number	Dimensions			
	A	B	C	D
177734-1	.441 11.20	.411 10.45	.087 2.22	.236 6.00
177734-2	.307 7.80	.411 10.45	.087 2.22	.236 6.00
177734-3	.276 7.00	.443 11.25	.119 3.02	.236 6.00
177734-4	.409 10.40	.443 11.25	.119 3.02	.236 6.00
177734-5	.220 5.60	.411 10.45	.087 2.22	.181 4.60
2-177734-1 ^{1,2}	.441 11.20	.411 10.45	.087 2.22	.236 6.00

¹ Make from -1

² Thread locking material applied, except for thread tip area. (Equivalent LOCTITE DRI-LOC 202, 203)

LOCTITE DRI-LOC is a trademark of Loctite Corporation.

