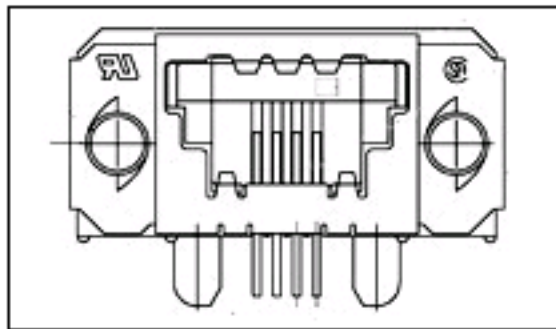


### 4-1761206-1 Product Details

Share | Print | Email



4-1761206-1

#### SDL (Shielded Data Link)

Always EU RoHS/ELV Compliant (Statement of Compliance)

#### Product Highlights:

- Connector
- Receptacle
- Receptacle Configuration = Standard
- Number of Conductors = 4
- Keying = D

[View all Features](#)

#### Quick Links

- ▶ Pricing & Availability
- ▶ Search for Tooling
- ▶ Product Feature Selector
- ▶ Contact Us About This Product

TE Internal Number: 4-1761206-1

Active

[View 3D PDF](#)

[Add to My Part List](#) | [Request Sample](#) | [Find Similar Products](#) | [Buy Product](#)

#### Documentation & Additional Information

##### Product Drawings:

- [RECEPTACLE ASSEMBLY, 4 POSITION, SIDE ENTRY, SDL \(PDF, English\)](#)

##### Catalog Pages/Data Sheets:

- None Available

##### Product Specifications:

- [SDL Systemj Connector \(PDF, English\)](#)

##### Application Specifications:

- [SDL Top-Entry and Side-Entry Printed Circuit \(PC\) Bo... \(PDF, English\)](#)

##### Instruction Sheets:

- None Available

##### CAD Files: (CAD Format & Compression Information)

- [2D Drawing \(DXF, Version A\)](#)
- [3D Model \(IGES, Version A\)](#)
- [3D Model \(STEP, Version A\)](#)

##### Additional Information:

- [Product Line Information](#)

##### Related Products:

- [Tooling](#)

[List all Documents](#)

#### Product Features (Please use the Product Drawing for all design activity)

##### Product Type Features:

- [Product Type](#) = Connector
- [Gender](#) = Receptacle
- [Receptacle Configuration](#) = Standard
- [Grounding Options](#) = None
- [PCB Mount Retention](#) = Without
- [Shield Material](#) = Brass

##### Body Features:

- [Shield Plating](#) = Bright Tin

##### Contact Features:

- [Contact Base Material](#) = Phosphor Bronze
- [Contact Plating, Mating Area, Material](#) = Gold (50)

##### Housing Features:

- [Housing Entry Style](#) = Side
- [Housing Material](#) = Polyester
- [Housing Color](#) = Black
- [UL Flammability Rating](#) = UL 94V-0

##### Configuration Features:

- [Number of Conductors](#) = 4

##### Industry Standards:

- [RoHS/ELV Compliance](#) = RoHS compliant, ELV compliant
- [Lead Free Solder Processes](#) = Wave solder capable to 240°C, Wave solder capable to 260°C, Wave solder capable to 265°C
- [RoHS/ELV Compliance History](#) = Always was RoHS compliant

##### Identification Marking:

- [Keying](#) = D

##### Other:

- [Brand](#) = AMP

#### Corporate Information

- [About TE](#)
- [Investors](#)
- [News Room](#)
- [Supplier Portal](#)
- [Careers](#)
- [Terms & Conditions](#)
- [Privacy Policy](#)

#### Quick Links

- [Distributor Inventory](#)
- [Product Cross Reference](#)
- [Documents & Drawings](#)
- [Product Compliance Support Center](#)
- [Site Map](#)

#### Customer Support

- [Email or Chat With Us](#)
- [Find a Phone Number](#)
- [Knowledge Base](#)
- [Manage Your Account](#)

#### Keep Me Informed

