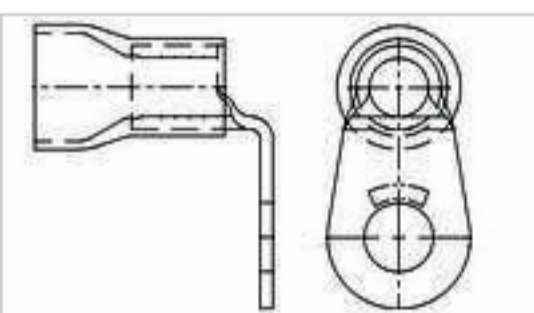


# 1958413-1 Product Details

[Share](#) | [Print](#) | [Email](#)


Active

## Ring and Spade Tongue Terminals

TERMINAL R PG 4 AWG, 5/16, BENT 90

**1958413-1**

TE Internal Number: 1958413-1

**Product Highlights** [View All](#)

- Terminal Shape = Ring Tongue
- Receptacle Style = Bent 90 Degrees
- Body Style = PLASTI-GRIP
- Barrel Type = Closed Barrel
- Wire/Cable Type = Stranded

- [Pricing & Availability](#)
- [Request Sample](#)
- [Add to My Part List](#)
- [Buy Product through Distributor](#)

[Documents](#) | [Features](#) | [Compliance](#)

**Related Products**

Not quite the product you're looking for?  
[Find Similar Products](#)

[View Part in Product Feature Selector](#)

[Check for Tooling](#)

Feedback

**Please Note:**  
Use the Product Drawing for all design activity

Product Type Features	
Receptacle Style	Bent 90 Degrees
Barrel Type	Closed Barrel
Wire/Cable Type	Stranded
Insulation	Yes
Insulation Support	Insulation Support
Stud Size	M8 [5/16]
Heavy Duty	No
Finish	Tin
Color	Yellow

Electrical Characteristics	
Voltage (VAC)	600

Termination Features	
Wire/Cable Size (CMA)	33,100 - 52,600

Dimensions	
Insulation Diameter (mm [in])	13.08 [.515] Max.
Stud Diameter (mm [in])	8.33 [0.328]
Barrel I.D. Min. (mm [in])	13.08 [0.515]
Tongue Material Thickness (mm [in])	1.22 [0.048]
Width (mm [in])	17.25 [0.679]

Body Features	
Body Style	PLASTI-GRIP
Wire Range (mm [AWG])	21.00 <sup>2</sup> [4]
Material	Copper
Insulation Sleeve Material	PVC

Contact Features	
Terminal Shape	Ring Tongue

Industry Standards	
Government/Industry Qualification	No
RoHS/ELV Compliance	RoHS compliant, ELV compliant
Lead Free Solder Processes	Not relevant for lead free process
RoHS/ELV Compliance History	Always was RoHS compliant

Conditions for Usage	
Temperature Range (°C)	105

Packaging Features	
Packaging Method	Carton
Packaging Quantity	100

Other	
Brand	AMP

- Corporate Information**
- [About TE](#)
  - [Investors](#)
  - [News Room](#)
  - [Supplier Portal](#)
  - [Careers](#)
  - [Terms & Conditions](#)
  - [Privacy Policy](#)
  - [Global Accessibility Statement](#)

- Quick Links**
- [Distributor Inventory](#)
  - [Product Cross Reference](#)
  - [Documents & Drawings](#)
  - [Product Compliance Support Center](#)
  - [Site Map](#)

- Customer Support**
- [Email or Chat With Us](#)
  - [Find a Phone Number](#)
  - [Knowledge Base](#)
  - [Manage Your Account](#)

**Keep Me Informed**